



PRODUCT SPECIFICATION

GENERAL

FINISH:	Painted Silver	CABLE LENGTH:	Not Applicable
MAIN MATERIAL:	Metal - Aluminium	GROSS WEIGHT:	0.46 (kg)
DIMENSIONS:	H:125mm W: 125mm D: 86	CLASS:	CE (Class II)
INSTALLATION ORIENTATION:	Wall Mount - Vertical	IP RATING:	IP44
CUT OUT HOLE:	Location Dependant	BATHROOM ZONE:	Zone 2,3
RECESS DEPTH:	Not Applicable	VOLTAGE:	Mains 230V
FIRE RATING:	Not Applicable	PRODUCT F MARK:	Suitable for mounting on flammable materials

LAMP

LIGHT SOURCE:	Through-Hole	MACADAM ELIPSE:	7-Step
MAXIMUM WATTAGE:	2.4W	UGR:	Not Applicable
MAXIMUM LAMP LENGTH:	Not Applicable	BEAM ANGLE:	Not Applicable
LAMP INCLUDED?	Yes (Integral)	TILT ADJUSTMENT ANGLE:	Not Applicable
LUMINOUS FLUX:	41.73 (lm)	ROTATION ADJUSTMENT ANGLE:	Not Applicable
COLOUR TEMP:	3000 (K)	AVERAGE LIFESPAN:	Not Applicable
CRI:	80	L70:	To Be Advised
R9:	6.7		

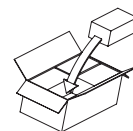
ELECTRICAL

SWITCHED:	No	SUPPLY FREQUENCY:	Not Applicable
DIMMABLE:	No	DRIVER/BALLAST VOLTAGE:	Not Applicable
DIMMING METHOD:	Not Applicable	DRIVER AVERAGE LIFESPAN:	Not Applicable
DRIVER OUTPUT CURRENT:	Not Applicable	EFFICACY:	17.39
DRIVER OUTPUT VOLTAGE:	Not Applicable	DRIVER/BALLAST INCLUDED?	Yes (integral)

ADDITIONAL INFORMATION

1000 HOURS SALT-SPRAY TESTED

Can be installed into brick or plasterboard:
Please refer to instructions and/or elevations.



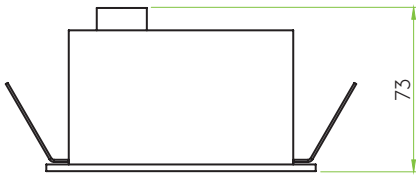
BOX QUANTITY X24



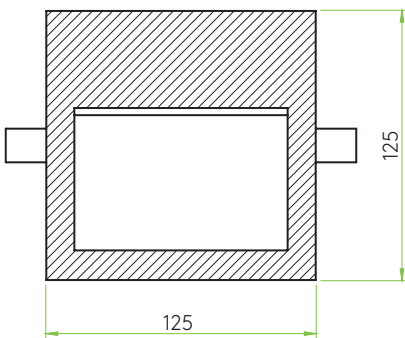
PRODUCT ELEVATIONS

PLASTER BOARD

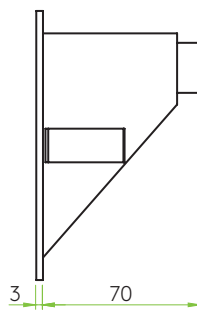
TOP



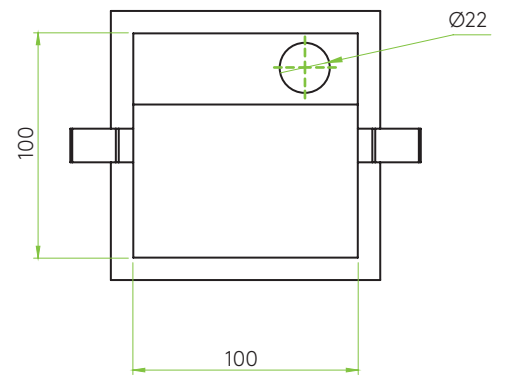
FRONT



SIDE

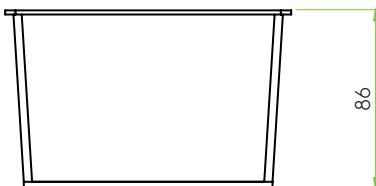


BACK

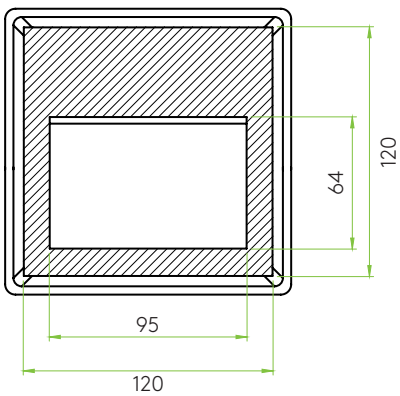


IN BRICKWORK

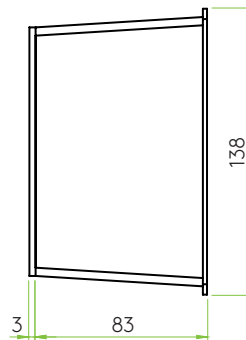
TOP



FRONT



SIDE



BACK

