

DELPHI TWIN 110V 7300

SKU 1313003

astro



PRODUCT SPECIFICATION

GENERAL

FINISH:	Polished Chrome	GROSS WEIGHT:	3.79 (lbs)
MAIN MATERIAL:	Metal - Mild Steel	CLASS:	cETLus (Class I)
DIMENSIONS:	H: 282mm W: 308mm D: 127mm H: 11.10" W: 12.13" D: 5"	LISTING LOCATION:	Dry
INSTALLATION ORIENTATION:	Wall Mount - Vertical	FITTING METHOD:	4" Octagon Box
CUT OUT HOLE:	Not Applicable	ADA COMPLIANT:	No
RECESS DEPTH:	Not Applicable	IC RATING:	Not Applicable
FIRE RATING:	Not Applicable	VOLTAGE:	Mains 120 (V)
CABLE LENGTH:	Not Applicable		

LAMP

LIGHT SOURCE:	E26/Medium	MACADAM ELIPSE:	Not Applicable
MAXIMUM WATTAGE:	2 x 60W Max	UGR:	Not Applicable
MAXIMUM LAMP LENGTH:	120mm / 4.72"	BEAM ANGLE:	Not Applicable
LAMP INCLUDED?	No	TILT ADJUSTMENT ANGLE:	Not Applicable
DELIVERED LUMENS:	Lamp Dependent	ROTATION ADJUSTMENT ANGLE:	Not Applicable
COLOR TEMP:	Lamp Dependent	AVERAGE LIFESPAN:	Lamp Dependent
CRI:	Lamp Dependent	L70:	Not Applicable
R9:	Lamp Dependent		

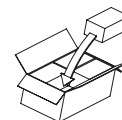
ELECTRICAL

SWITCHED:	No	SUPPLY FREQUENCY:	Not Applicable
DIMMABLE:	Yes	DRIVER / BALLAST VOLTAGE:	Not Applicable
DIMMING METHOD:	Lamp Dependent	DRIVER AVERAGE LIFESPAN:	Not Applicable
DRIVER OUTPUT CURRENT:	Not Applicable	EFFICACY:	Lamp Dependent
DRIVER OUTPUT VOLTAGE:	Not Applicable	DRIVER / BALLAST INCLUDED?	Not Applicable

ADDITIONAL INFORMATION



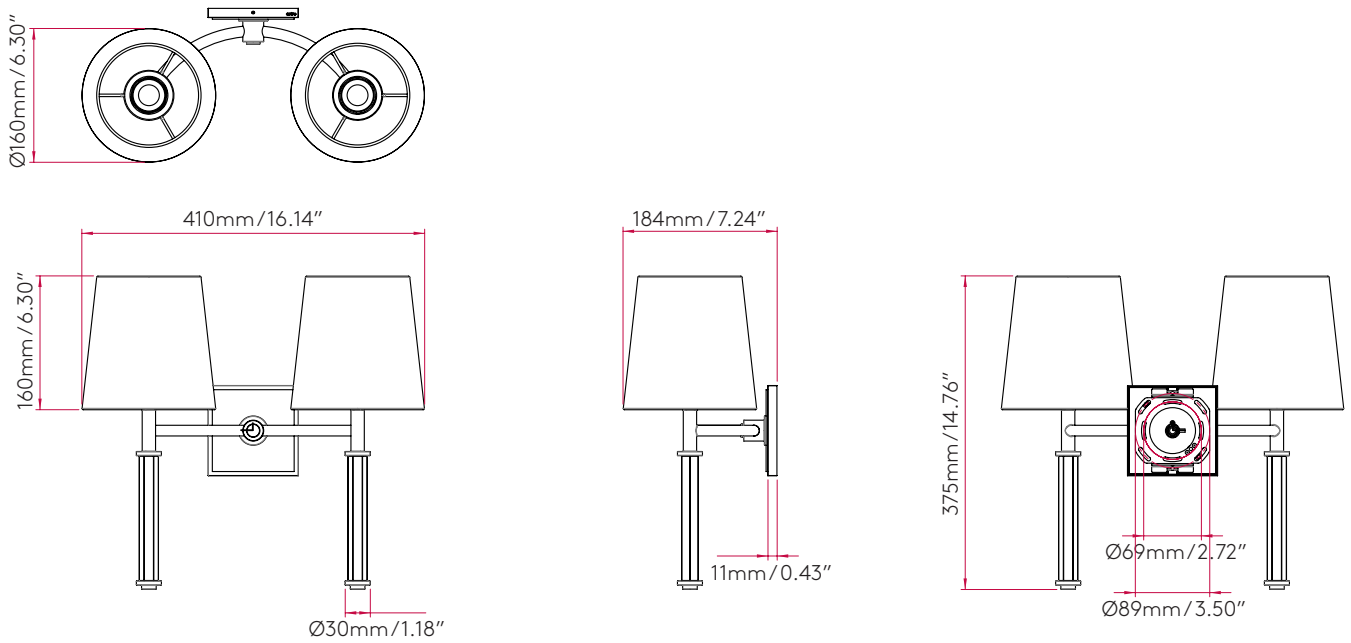
SHADE SOLD SEPARATELY



BOX QUANTITY X4

PRODUCT ELEVATIONS

WITH SHADE



WITHOUT SHADE

