



Sensorflow 21 Compact Washbasin Spout Integral Sensor, Link

Illustrated

A4853 Sensorflow 21 compact washbasin mounted spout integral sensor servicing valve and filter, copper tube inlets, link

Configuration options

Material

Chrome Plated Brass

Weights

A4853 1.50KG

Colours

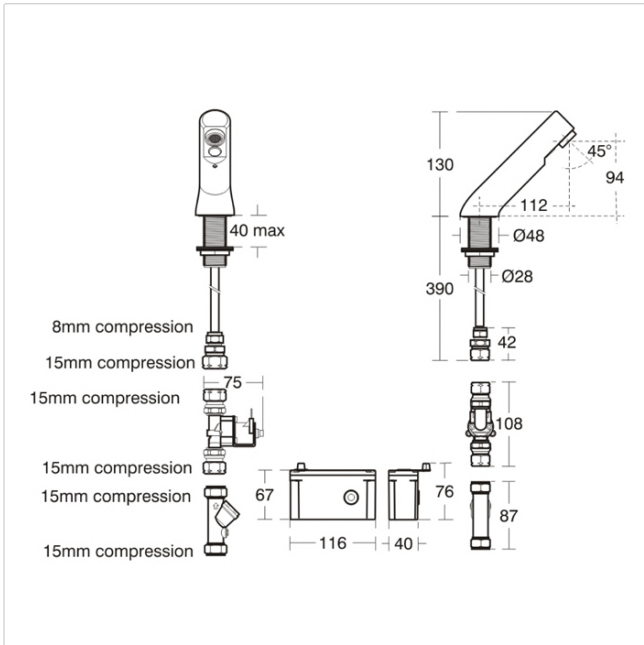
Chromium plated (AA)
Brushed Steel (GN)

Flow rates

3.7 Litres per minute @ 3 bar pressure

Special Notes

All spouts supplied complete with individual solenoid valve, copper tube inlet and combined servicing valve and filter. Consideration should be given to safe hot water delivery and the use of an appropriate temperature reduction device see A5900. Spouts with integral sensors detect hands within the sensing range and the solenoid valve is opened. Automatically shuts off if sensor is obstructed for a maximum of 50 seconds. Must link to a mains version A4852 alternatively there are stand alone battery powered units. Flow rate regulated to 3.7 Litres per minute.



Frequently used applications

Education
General Healthcare
Office
Retail
Vandal Risk

Factory
Hotels
Public Building
Sports and Leisure

Features

Water Saving

Accreditations

Water Label
WRAS