



Sensorflow 21 Compact Washbasin Spout Integral Sensor, Battery

Illustrated

A4851 Sensorflow 21 compact washbasin mounted spout integral sensor servicing valve and filter, copper tube inlets, battery

Configuration options

Material

Chrome Plated Brass

Weights

A4851 1.55KG

Colours

Chromium plated (AA)
Brushed Steel (GN)

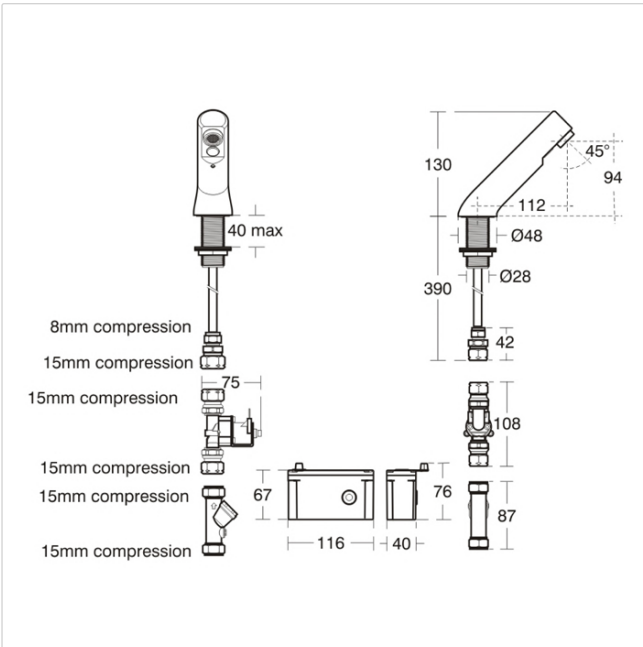
Flow rates

4.7 Litres per minute @ 3 bar pressure

Special Notes

All spouts supplied complete with individual solenoid valve, copper tube inlet and combined servicing valve and filter. Consideration should be given to safe hot water delivery and the use of an appropriate temperature reduction device see A5900. Spouts with integral sensors detect hands within the sensing range and the solenoid valve is opened. Automatically shuts off if sensor is obstructed for a maximum of 50 seconds. Stand alone battery powered unit.

Flow rates, regulated to 5 Litres per minute or optional flow straightener outlet 2 Litres per minute @ 0.1 bar



Frequently used applications

Education	Factory
General Healthcare	Hotels
Office	Public Building
Retail	Sports and Leisure
Vandal Risk	

Features

Water Saving

Accreditations

Water Label
WRAS