



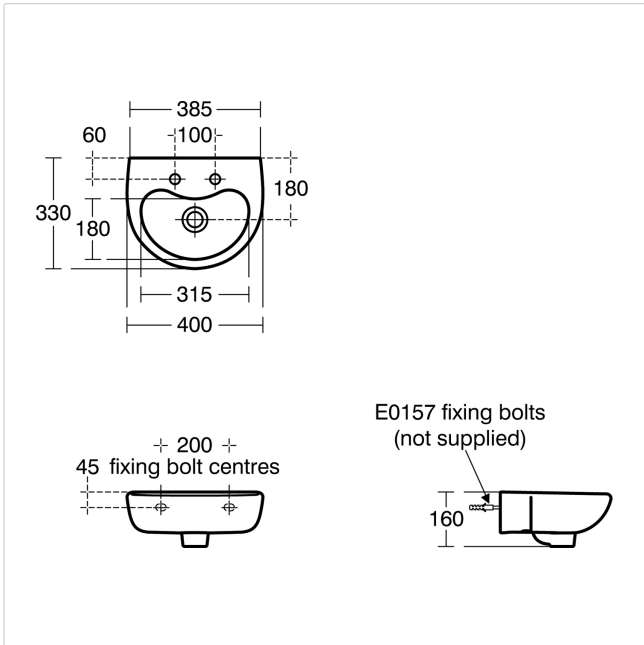
Contour 21 Splash 40cm Schools basin with overflow - two taphole - no chain hole

Illustrated

- S2636** Contour 21 Splash 40cm Schools basin with overflow - two tapholes
- E0157** Wall fixing set
- B8262** Piccolo 21 inclined 1/2" washbasin pillar taps, lever operated, dual hot and cold indices, anti-vandal water saving nozzle
- S8722** Waste 1/4" brass strainer waste, 80mm slotted tail
- S8920** Trap 1/4" plastic resealing bottle, 75mm seal, multi-purpose outlet

Configuration options

- B8267** Avon 21 washbasin inclined pillar taps (pair) with dual Hot and Cold indices per tap, self closing push button non concussive, water saving anti-vandal nozzle regulated to 3.7 litres per minute maximum. Alternative low pressure outlet option supplied.
- S8900** Trap 1/4" metal bottle, 75mm seal, outlet screwed 1/4" BSP male with compression nut and ring



Material

Vitreous China

Weights

S2636	7.00KG
E0157	0.16KG
B8262	1.60KG
S8722	0.22KG
S8920	2.00KG

Colours

White (01)

Special Notes

S9138 Bracket for 40cm basins
Recommended fixing heights (floor to front rim);
Nursery use 600mm
Infant use 700mm
Junior use 750mm
Senior/adult use 780-800mm.
Washbasin wall mounted using E015767 wall fixing set or panel mounted using E006267 fixing set

Frequently used applications

Education

Features

Space Saving

