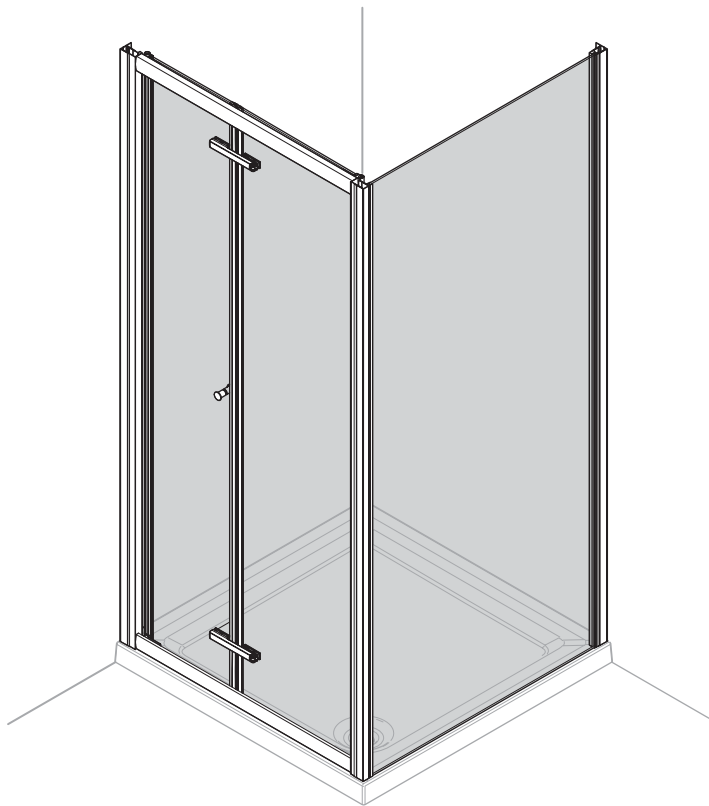


IN00274 (rev B)

Bi-fold Door & Side Panel

- Instruction suitable for both Right and Left Hand fixing variations.

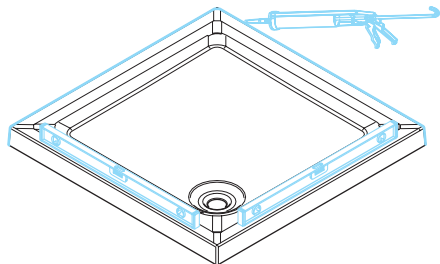
IMPORTANT: If installing a Bi-fold Door only; ie. a recess installation, please refer to alternative fixing details on the document reverse.



Before You Start

- Check that the tray has been installed correctly and that it is level (Fig. A), tiled down onto and sealed to the manufacturer's guidelines. **Please Note:** All product supplied without tray.
- Ensure the product is fitted to a non-porous surface ie. tiled. Check that the wall surface is flat.
- Unpack and check the product is complete and undamaged.
- Fixings are supplied for solid walls only. Ensure that the correct fixings are used for the wall type – if in doubt seek professional advice.
- Ensure the area is clean, dry and dust free.
- Read the instructions in full.
- Have the correct tools available, (as shown below, see 'Tools Required').
- It is recommended to situate the showerhead and door adjacent to each other in order to allow any water spray to be on the side panel or upstanding wall.

Fig.A.




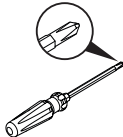
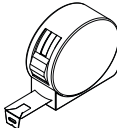
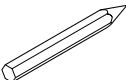
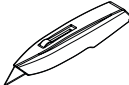
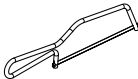
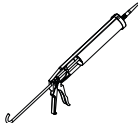
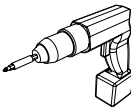
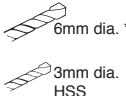
Safety

- Handle all glass with care - support on cardboard to avoid risk of breakage.
- This product is heavy and requires 2 people to carry and install it.
- When drilling walls check first for hidden pipes and cables.
- All glass is toughened – it cannot be reworked or replaced by ordinary glass.
- Use safety eyewear when drilling.
- Use safety eyewear when handling glass.
- Keep all small parts away from children.

Disclaimer

- Please notify the retailer immediately of any damage or faults. The manufacturer cannot be held responsible for any installation costs that may arise from damaged or faulty product being installed.
- Please dispose of all packaging with due regard to the environment.

Tools Required (not supplied)

<p>Spirit Level</p> 	<p>Screwdriver</p> 	<p>Tape Measure</p> 	<p>Pencil</p> 	<p>Utility Knife</p> 
<p>Junior Hacksaw</p> 	<p>Silicone Gun & Sealant</p> 	<p>Power Drill</p> 	<p>Suitable Drill Bits</p>  <p>6mm dia. * 3mm dia. HSS</p>	<p>* Ensure drill bit used is suitable for wall surface</p>



Help Line: 0870 241 6131

Lines open: 8.30am - 5.00pm Monday to Friday
Standard National call charge rate from BT landlines

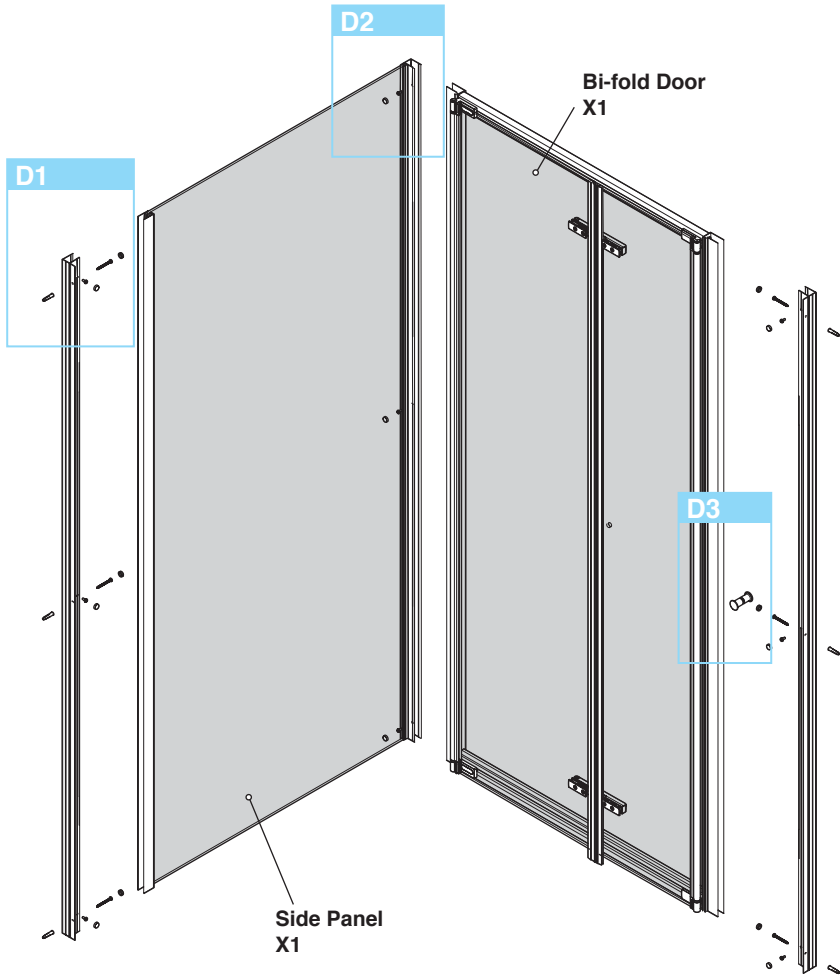
Parts & Fittings Supplied



Please notify the retailer immediately of any damage or faults. The manufacturer cannot be held responsible for any installation costs that may arise from a damaged or faulty product being installed.

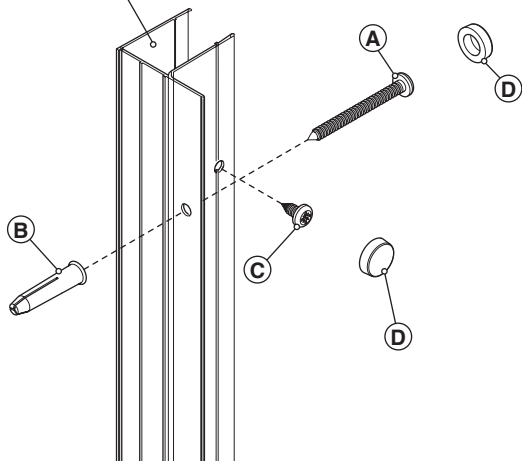


Keep small parts away from children

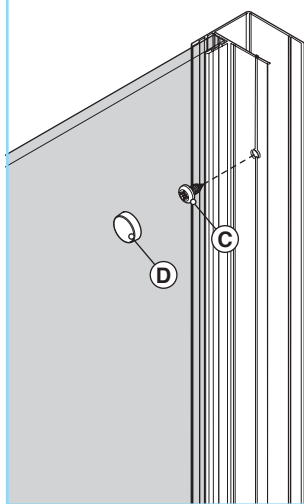


D1

Wall Channel
X2

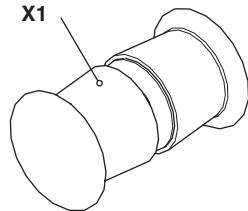


D2

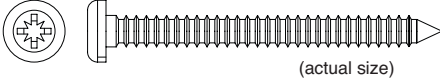
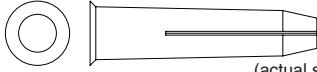
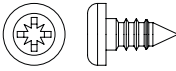
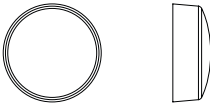


D3

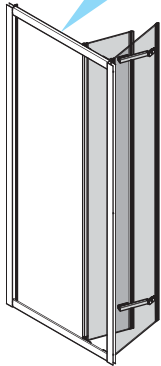
Door Knob
Assembly
X1



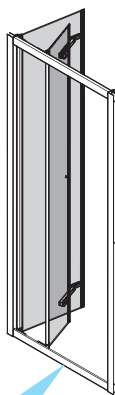
Loose Screws & Fittings Supplied

A	No.8 x 1 $\frac{3}{4}$ " Pan Head Pozi Screws	 <p>(actual size)</p>	Qty x6
B	Wall Plugs	 <p>(actual size)</p>	Qty x6
C	No.8 x $\frac{3}{8}$ " Pan Head Pozi Screws	 <p>(actual size)</p>	Qty x9
D	Screw Snap Cap	 <p>(actual size)</p>	Qty x15

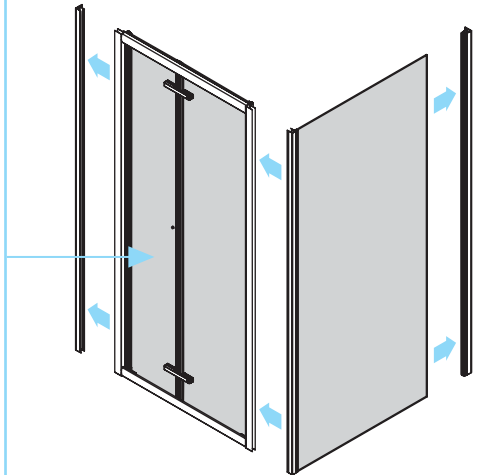
LEFT HAND OPENING



RIGHT HAND OPENING

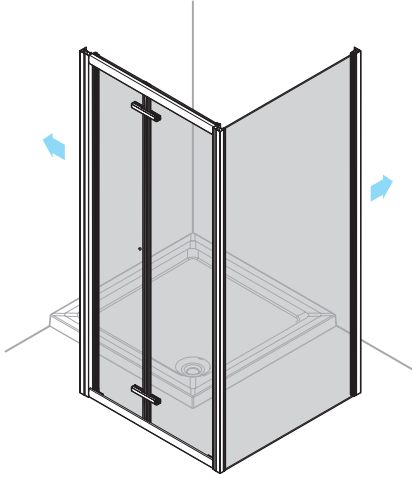


1.1

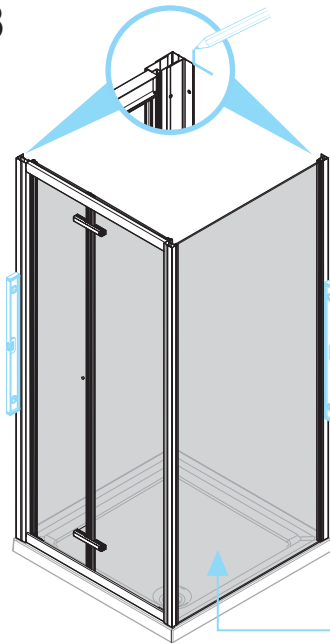


Rotate door for required opening side.

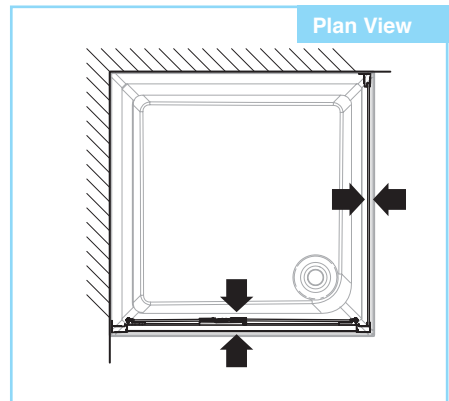
1.2



1.3



Mark position of pre-drilled Wall Channel



Plan View



Ensure glass is positioned straight and is parallel with tray.



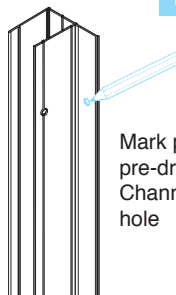
Wall plugs supplied are for solid walls only. Ensure correct wall plug for wall type is used. If in doubt seek professional advice.



Position Wall Channel on wall as shown, ensure Wall Channel is fixed level.

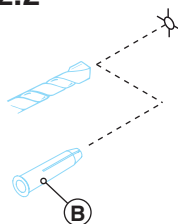
Inside View

2.1



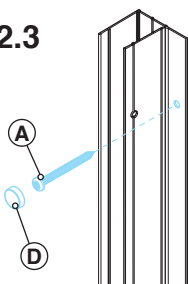
Mark position of pre-drilled Wall Channel fixing hole

2.2



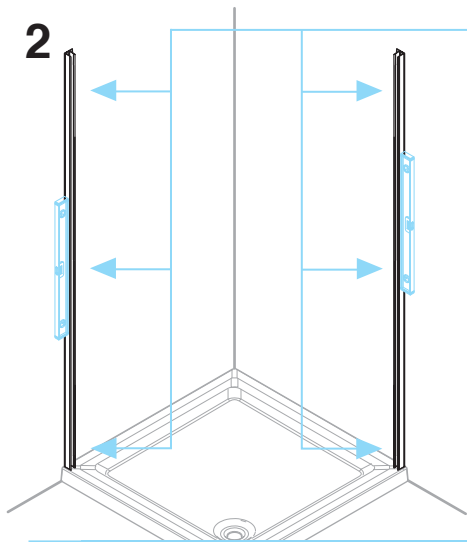
6mm dia. holes with drill bit suitable for wall surface

2.3



Fix through pre-drilled Wall Channel fixing hole

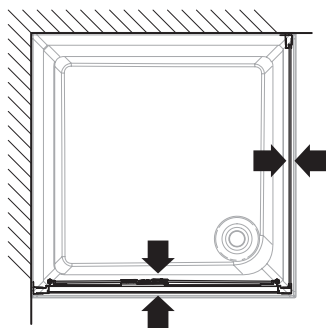
2



Tip: When drilling tiles apply masking tape to surface to stop drill bit slipping.

Plan View

3



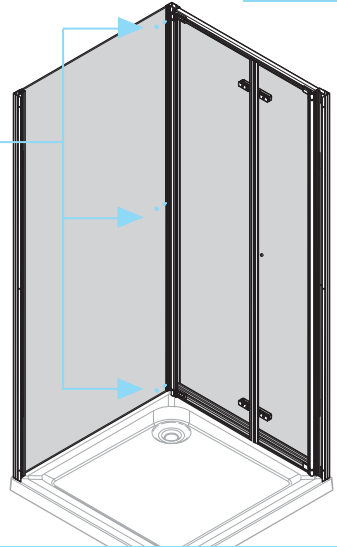
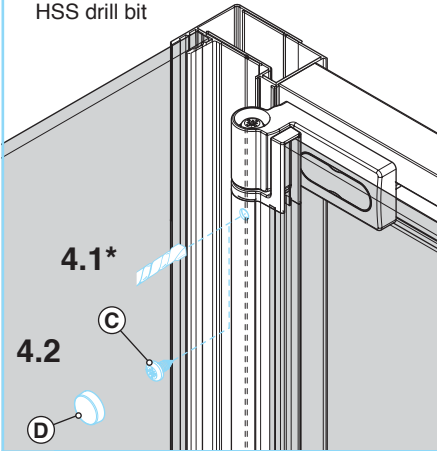
Ensure glass is positioned straight and is parallel with tray.

Inside View

*3mm dia. holes through pre-drilled holes using HSS drill bit

Inside View

4



Tip: When inserting screws apply a small amount of oil to the screw thread to allow easier fixing.



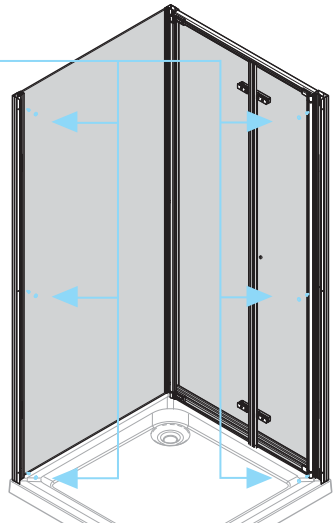
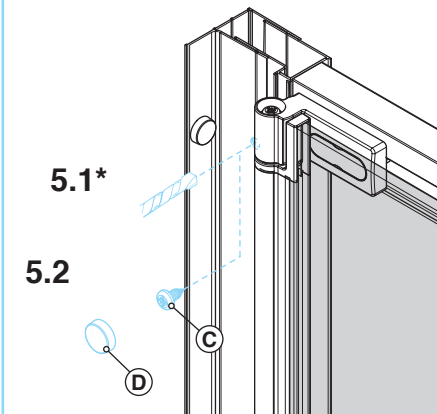
Ensure glass is positioned straight and is parallel with tray.

Inside View

*3mm dia. holes through pre-drilled holes using HSS drill bit

Inside View

5

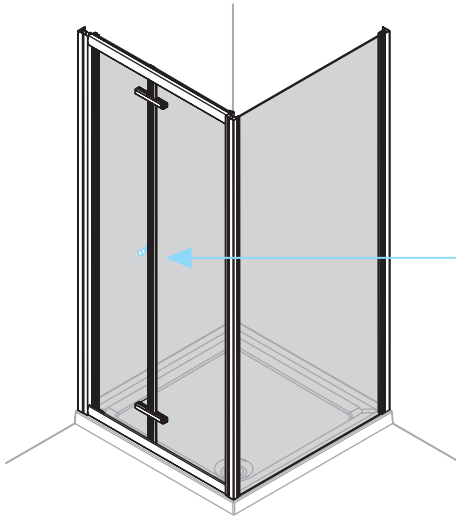


Tip: When inserting screws apply a small amount of oil to the screw thread to allow easier fixing.



Ensure glass is positioned straight and is parallel with tray.

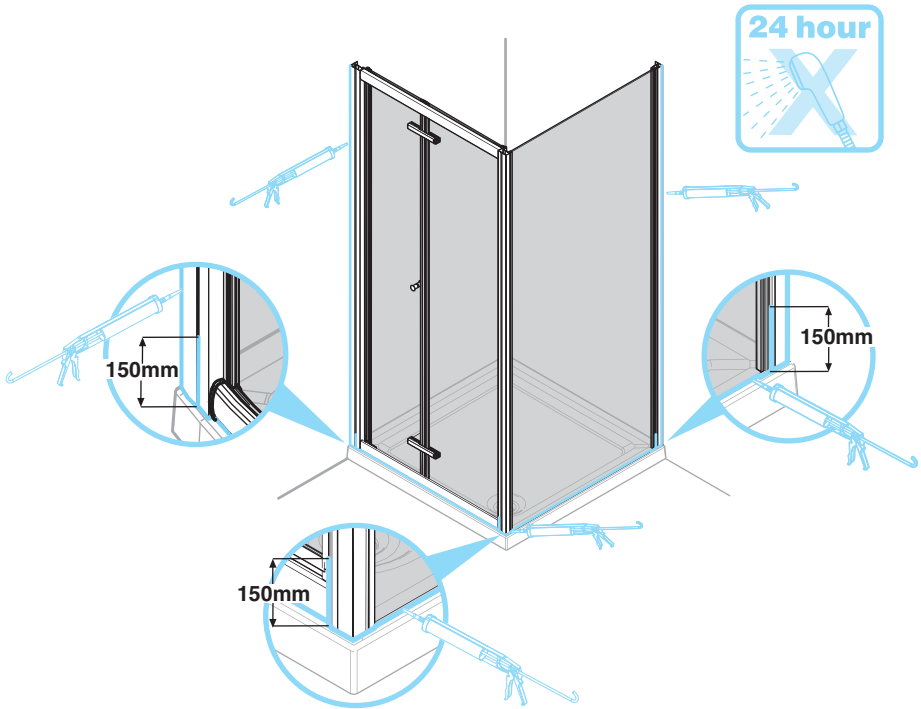
6



Inside View

An exploded view diagram of the door knob assembly. It shows the knob, a screw, a washer, a spacer, a nut, and a lock cylinder. Blue arrows indicate the direction of disassembly (removing the knob) and reassembly (putting the knob back on).

! NOTE: Door Knob is supplied assembled. Unscrew by hand to dismantle part and then reassemble as shown. DO NOT overtighten.



Apply Silicone Sealant, (not supplied).



Only apply silicone sealant to the outside of the enclosure. **DO NOT** use silicone sealant on inside of the enclosure.



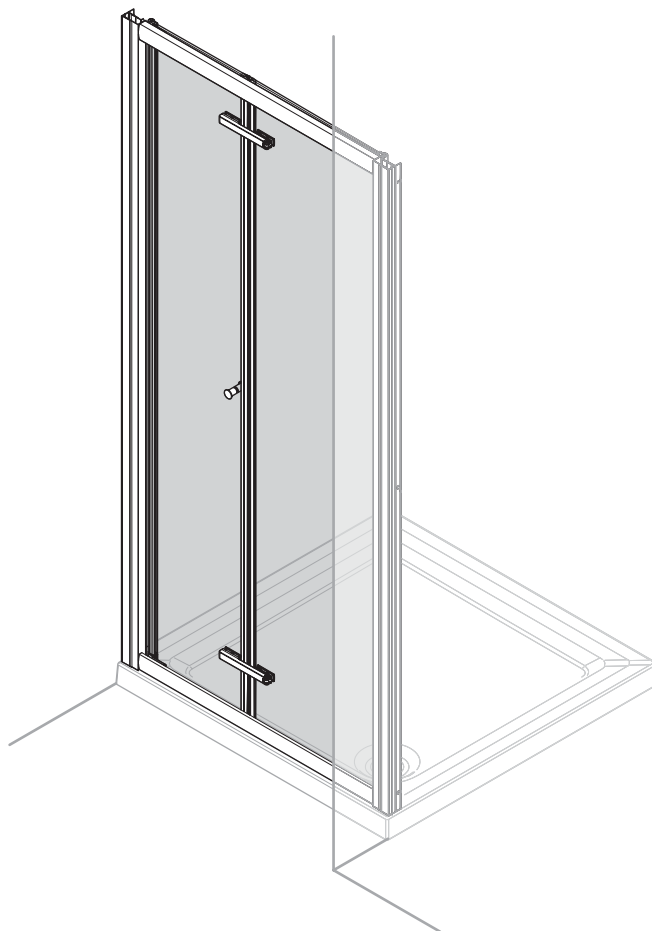
Product Care:
Use a non-abrasive cleaner.
Water marks may be removed with a proprietary limescale remover or household vinegar.

IN00274 (rev B)

Bi-fold Door

- Instruction suitable for both Right and Left Hand fixing variations.

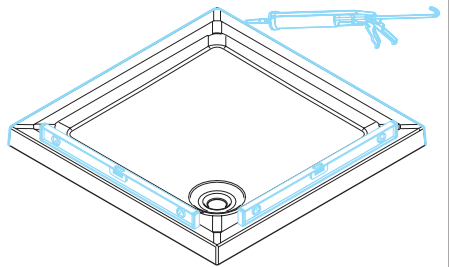
IMPORTANT: If installing a Bi-fold Door and Side Panel; ie. a corner installation, please refer to alternative fixing details on the document reverse.



Before You Start

- Check that the tray has been installed correctly and that it is level (Fig. A), tiled down onto and sealed to the manufacturer's guidelines. **Please Note:** All product supplied without tray.
- Ensure the product is fitted to a non-porous surface ie. tiled. Check that the wall surface is flat.
- Unpack and check the product is complete and undamaged.
- Fixings are supplied for solid walls only. Ensure that the correct fixings are used for the wall type – if in doubt seek professional advice.
- Ensure the area is clean, dry and dust free.
- Read the instructions in full.
- Have the correct tools available, (as shown below, see 'Tools Required').
- It is recommended to situate the showerhead and door adjacent to each other in order to allow any water spray to be on the side panel or upstanding wall.

Fig.A.




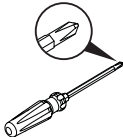
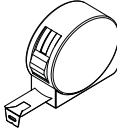
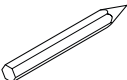
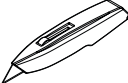
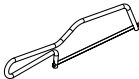

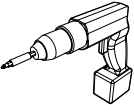
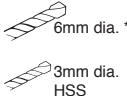
Safety


- Handle all glass with care - support on cardboard to avoid risk of breakage.
- This product is heavy and requires 2 people to carry and install it.
- When drilling walls check first for hidden pipes and cables.
- All glass is toughened – it cannot be reworked or replaced by ordinary glass.
- Use safety eyewear when drilling.
- Use safety eyewear when handling glass.
- Keep all small parts away from children.

Disclaimer

- Please notify the retailer immediately of any damage or faults. The manufacturer cannot be held responsible for any installation costs that may arise from damaged or faulty product being installed.
- Please dispose of all packaging with due regard to the environment.

Tools Required (not supplied)

<p>Spirit Level</p> 	<p>Screwdriver</p> 	<p>Tape Measure</p> 	<p>Pencil</p> 	<p>Utility Knife</p> 
<p>Junior Hacksaw</p> 	<p>Silicone Gun & Sealant</p> 	<p>Power Drill</p> 	<p>Suitable Drill Bits</p>  <p>6mm dia. * 3mm dia. HSS</p>	<p>* Ensure drill bit used is suitable for wall surface</p>

 Help Line: 0870 241 6131

Lines open: 8.30am - 5.00pm Monday to Friday
Standard National call charge rate from BT landlines

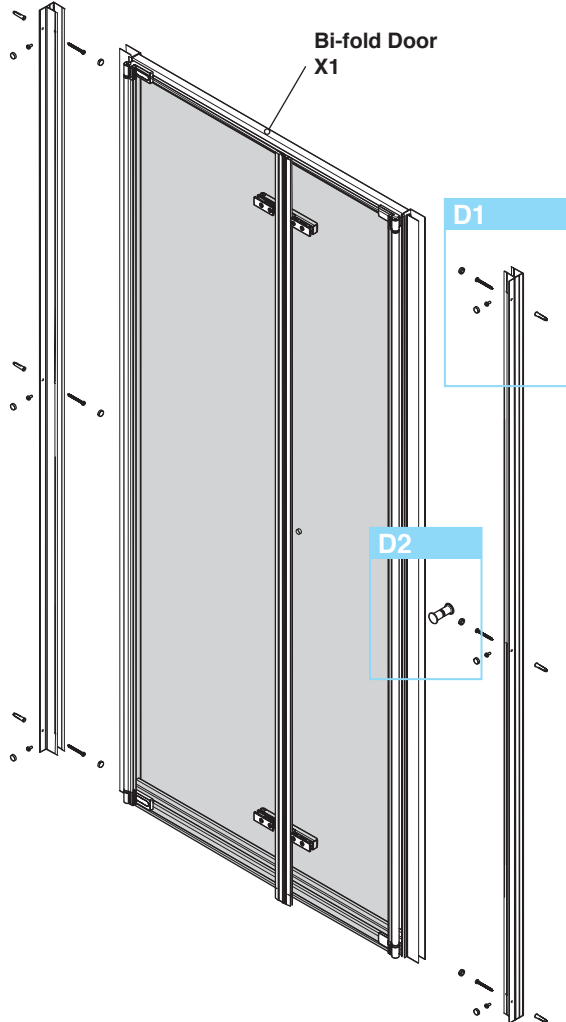
Parts & Fittings Supplied

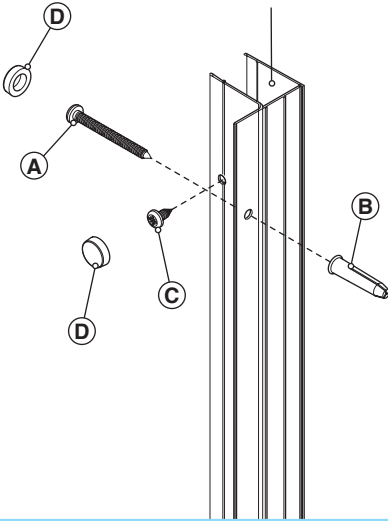
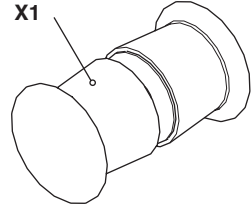


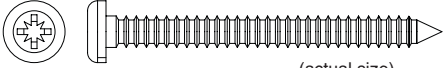
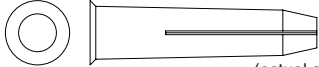


Please notify the retailer immediately of any damage or faults. The manufacturer cannot be held responsible for any installation costs that may arise from a damaged or faulty product being installed.



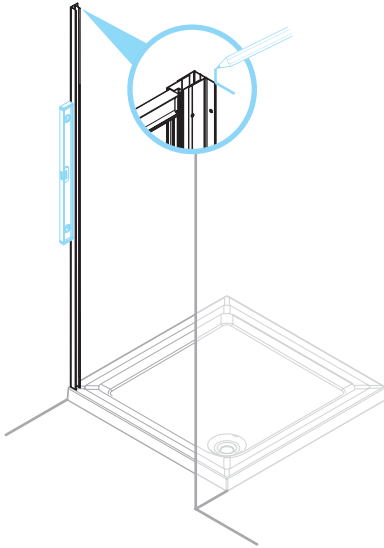
Keep small parts away from children



D1**Wall Channel
X2****D2****Door Knob
Assembly
X1****Loose Screws & Fittings Supplied**

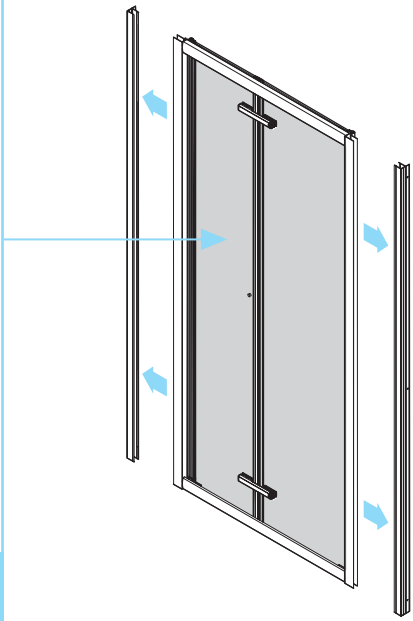
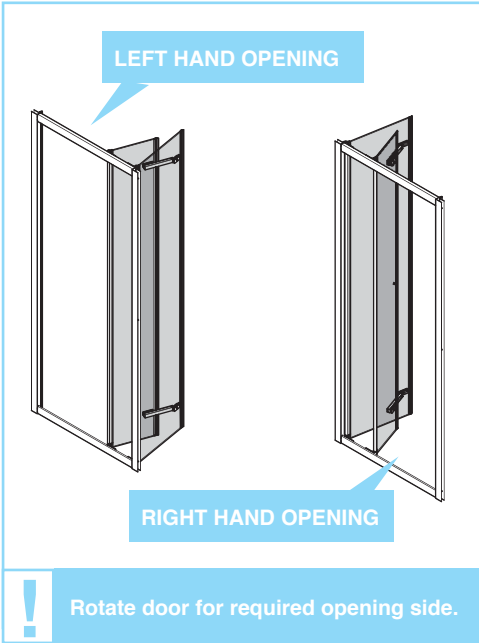
A	No.8 x 1 $\frac{3}{4}$ " Pan Head Pozi Screws	 (actual size)	Qty x6
B	Wall Plugs	 (actual size)	Qty x6
C	No.8 x $\frac{3}{8}$ " Pan Head Pozi Screws	 (actual size)	Qty x6
D	Screw Snap Cap	 (actual size)	Qty x12

1.1

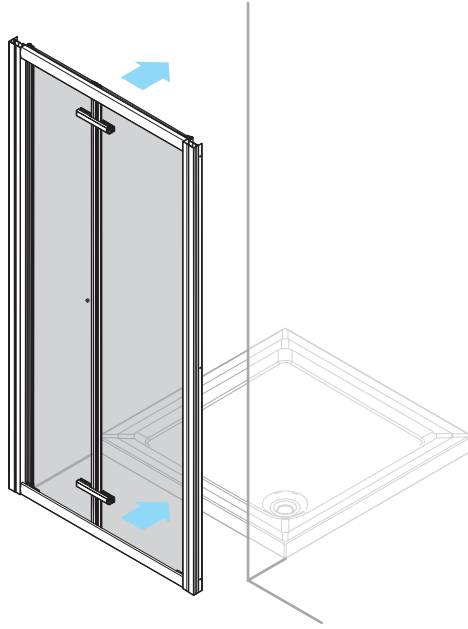


Please Note:
Position one wall channel and mark. Ensure Wall Channel is level and in correct location to the tray. (If in doubt refer to illustration on step 2).

1.2

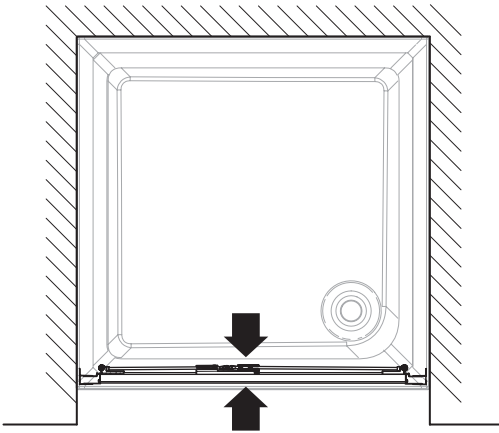


1.3



Plan View

2



Ensure glass is positioned straight and is parallel with tray.

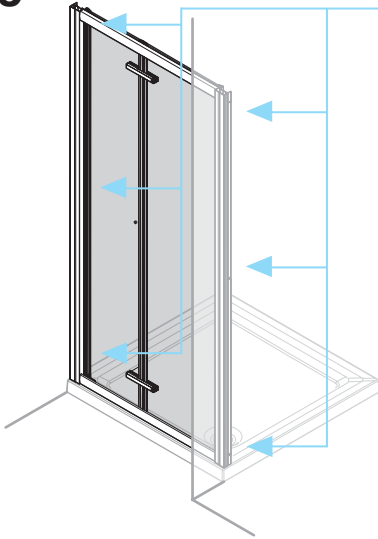


IMPORTANT: Ensure Door is not twisted.
For best results fix one side wall channel, and check door is level before continuing to fix second wall channel.



Position Wall Channel on wall as shown, ensure Wall Channel is fixed level.

3

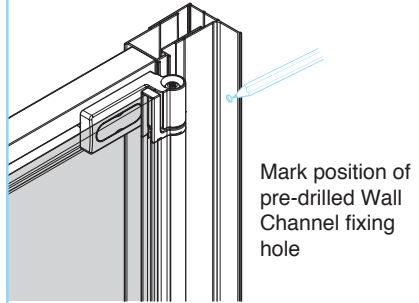


Wall plugs supplied are for solid walls only. Ensure correct wall plug for wall type is used. If in doubt seek professional advice.

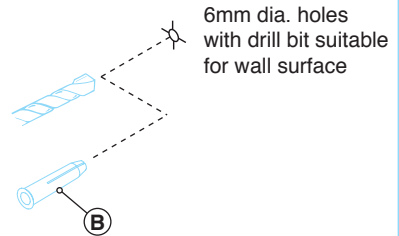


Tip: When drilling tiles apply masking tape to surface to stop drill bit slipping.

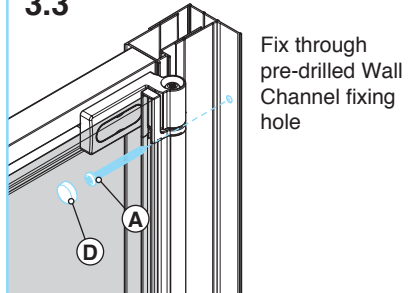
3.1



3.2



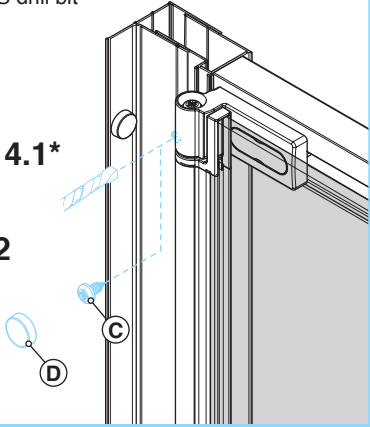
3.3



*3mm dia. holes through pre-drilled holes using HSS drill bit

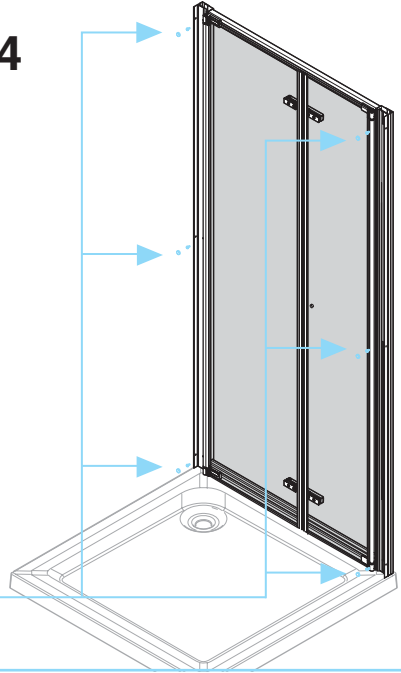
4.1*

4.2

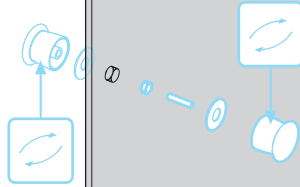
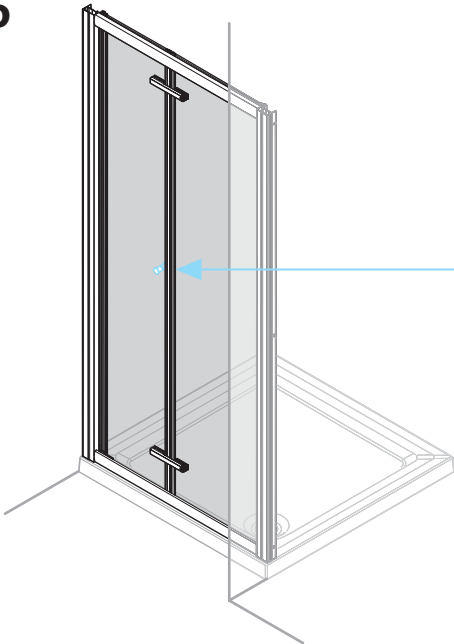


Tip: When inserting screws apply a small amount of oil to the screw thread to allow easier fixing.

4

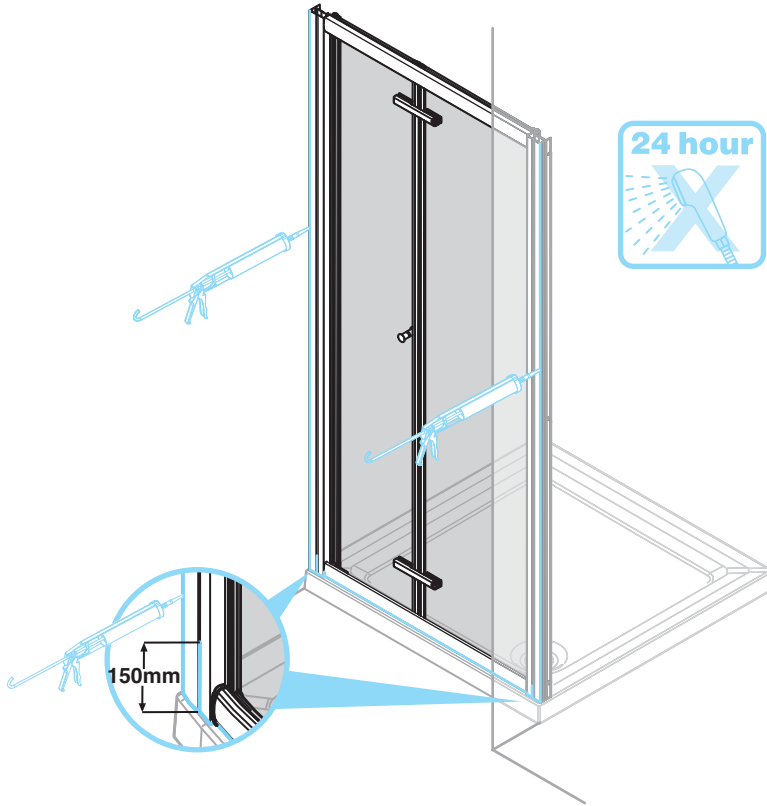


5



NOTE: Door Knob is supplied assembled. Unscrew by hand to dismantle part and then reassemble as shown. DO NOT overtighten.

6



Apply Silicone Sealant, (not supplied).



Only apply silicone sealant to the outside of the enclosure. **DO NOT** use silicone sealant on inside of the enclosure.



Product Care:
Use a non-abrasive cleaner.
Water marks may be removed with a proprietary limescale remover or household vinegar.

