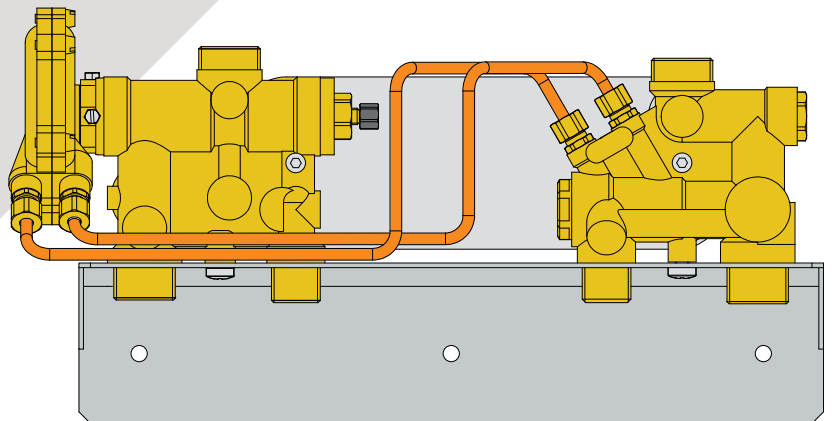


# SATK10101

heat interface unit

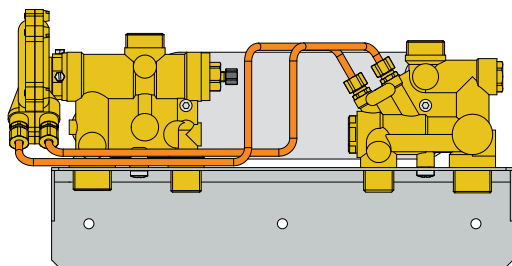


 **CALEFFI**  
Hydronic Solutions



**altecnic**  
Caleffi group

# SATK10101 heat interface unit



## Introduction

The Altecnic SATK10101 heat interface unit is a wall mounted mechanical HIU.

The SATK10101 independently controls the space heating and domestic hot water in an individual apartment supplied by a centralised boiler or district heating.

## Technical Specification

Medium:	water
Maximum percentage of glycol:	30%
Maximum medium temperature:	85°C
Maximum pressure:	- primary circuit: 10 bar
	- domestic hot water circuit: 10 bar
Min. differential pressure ( $\Delta p$ ):	0.35 bar
Nominal DHW exchanger capacity:	40 kW
Domestic hot water flow rate:	min. $1.8 \pm 0.3$ l/m max 18 l/min
Hydraulic characteristic: primary heating circuit:	Kv 2.9

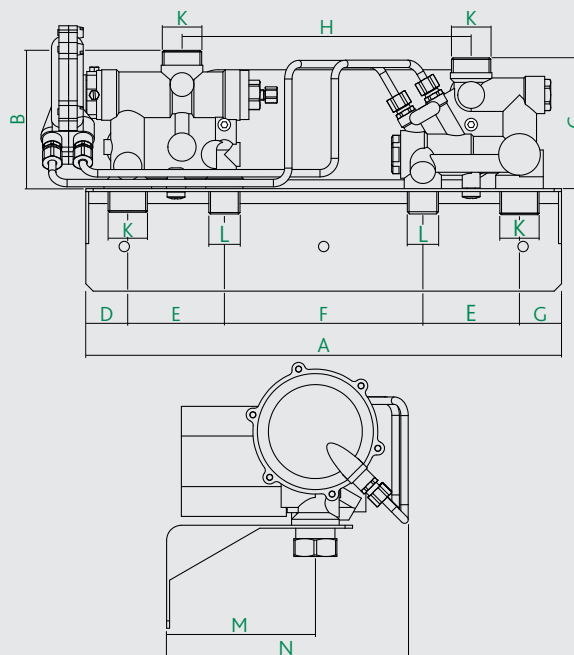
## Material

Frame:	steel plate
Heat exchanger:	brazed
Pipes:	copper
Components:	brass BS EN 12165 CW617N
Weight:	6.0 kg

## Key to Symbols

	Primary circuit flow
	Primary circuit return
	Domestic hot water outlet
	Domestic cold water inlet
	Heating circuit flow
	Heating circuit return

## Dimensions

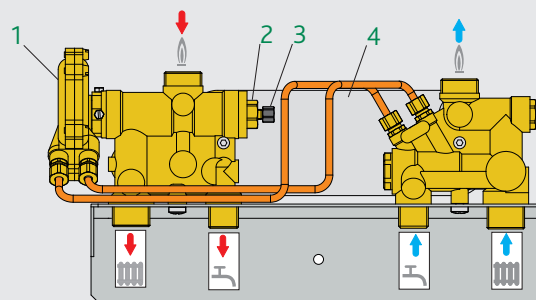


A	B	C	D	E	F
350	93	88	58	65	134

G	H	K	L	M	N
28	194.5	G $\frac{3}{4}$ B	G $\frac{1}{2}$ B	100	163

## Characteristic Components



- 1 Domestic hot water differential pressure priority valve
- 2 Manual bypass
- 3 Manual bypass control knob
- 4 40 kW brazed heat exchanger

# SATK10101 heat interface unit

## Operation

The priority valve (1) gives priority to the production of domestic hot water when there is a differential of pressure cause by a tap or shower being opened.

The heating circuit is always on when there's no request of domestic hot water. It is recommended to provide a zone or thermostatic control valve on this circuit.

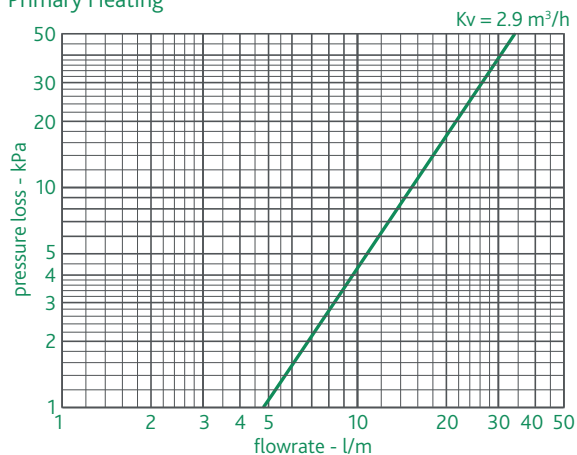
Flush the pipework thoroughly before installing the HIU to remove any particles, rust, incrustations, limescale, welding slag and any other contaminants. The water circuits must be clean and free from debris.

It is recommended to install a strainer on primary flow.

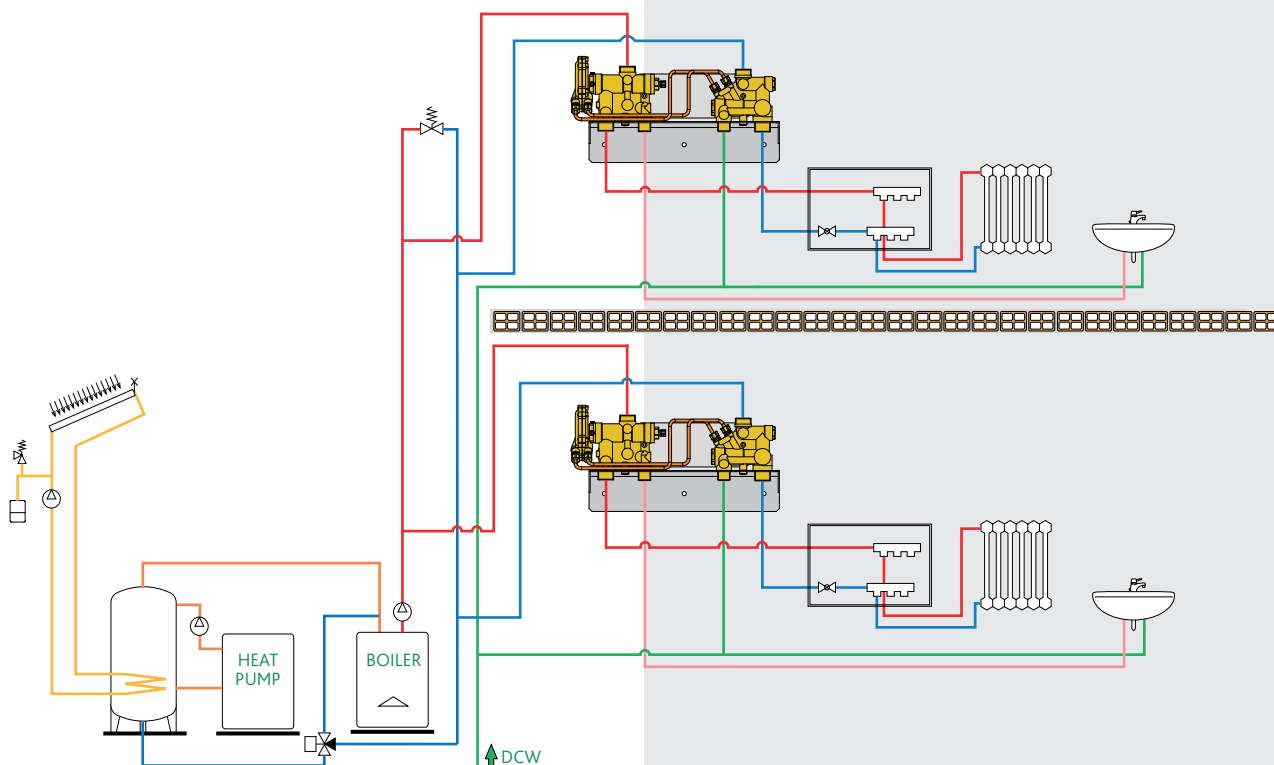
If the water has a hardness level higher than 20°F, a water softening treatment must be used.

## Hydraulic Characteristics

### Primary Heating



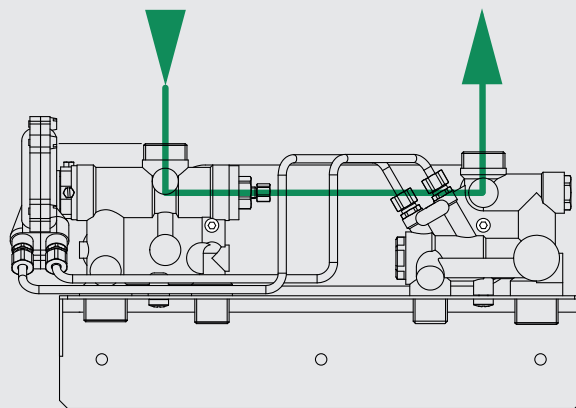
## Typical Installation



## Heat Exchanger Pre-Heat Function

In order to keep the pipework from cooling and consequently to speed up the response to demands for domestic hot water, the SATK10101 has a manual bypass that makes it possible to maintain a minimum flow of hot water through the primary side from the centralised boiler plant.

To activate and regulate this function turn knob (3).



# SATK10101 heat interface unit

Notes:

E & O.E  
© Altecnic Ltd. 2017

Altecnic Ltd Mustang Drive, Stafford, Staffordshire ST16 1GW  
T: +44 (0)1785 218200 E: sales@altecnic.co.uk  
Registered in England No: 2095101

[altecnic.co.uk](http://altecnic.co.uk)

AL 221 04-02-17

**altecnic**  
Caleffi group