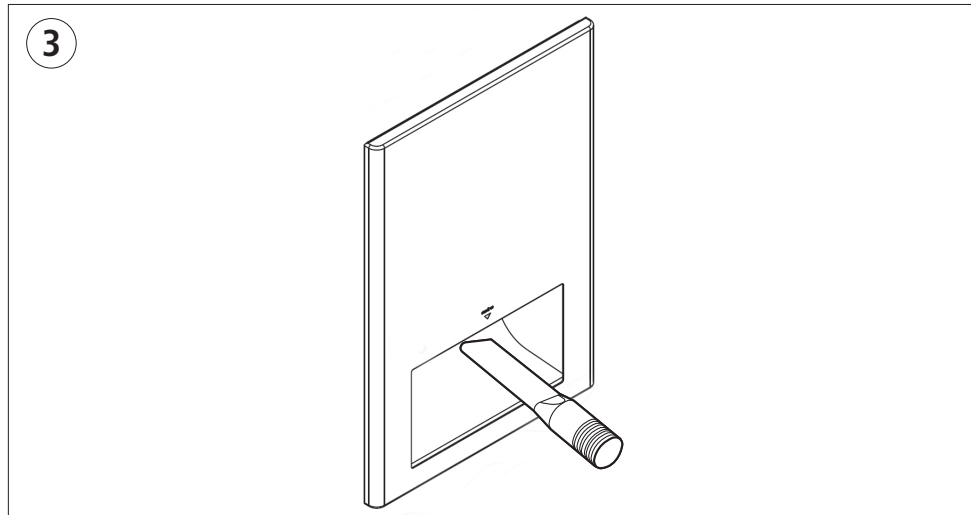


**IMPORTANT**

After installation or servicing, units must be checked, and only left when electrically and mechanically safe.

**Servicing instructions**

The minimum service period for the 2470 panel should be every 3 months or more frequent intervals as experience dictates:

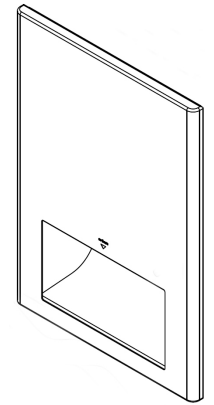
1. Isolate the Hand Dryer unit from the electricity supply before servicing.
2. Remove dust, fluff and any other build up of foreign matter from inlet and outlet grille areas (Illustration 3).

**IMPORTANT**

Read these instructions before commencing with the installation.

DO NOT install this product in areas where the following may be present or occur:

- Corrosive or flammable gases, liquids or vapours.
- Ambient temperatures higher than 40°C or less than -5°C.
- Possible obstructions which would hinder the access or removal of the hand dryer.

**Safety and guidance notes**

- A. All wiring to be in accordance with the current I.E.E. Regulations, or the appropriate standards of your country and MUST be installed by a suitably qualified person.
- B. The Hand Dryer should be provided with a local isolator switch capable of disconnecting all poles, having a contact separation of at least 3mm.
- C. Ensure that mains supply (Voltage, Frequency, and Phase) complies with the rating label.
- D. The Hand Dryer should only be used in conjunction with fixed wiring.
- E. The Hand Dryer should not be used where it is liable to be subject to direct water spray for prolonged periods of time.
- F. This appliance can be used by children aged 8 and above and

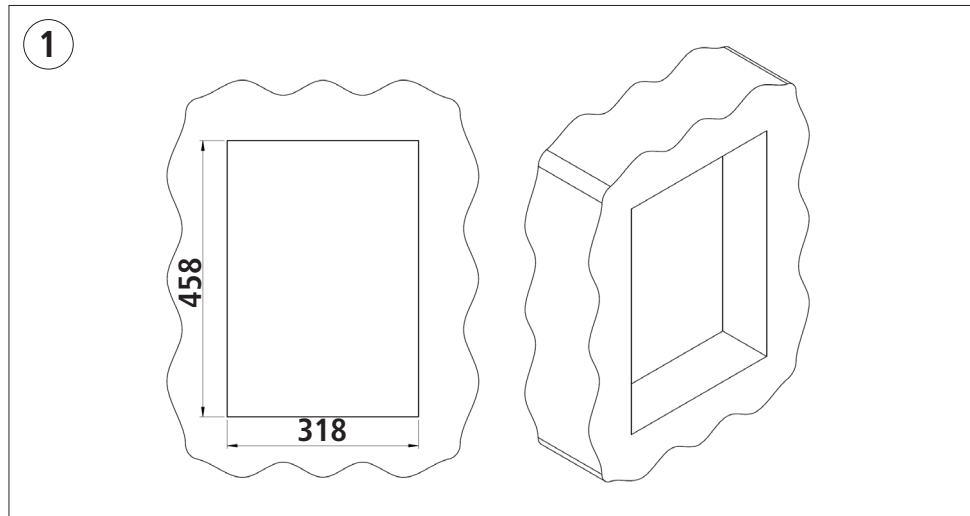
persons with reduced physical, sensory or mental capabilities or lack of experience and knowledge if they have been given supervision or instruction concerning use of the appliance in a safe way and understand the hazards involved. Children should be supervised to ensure that they do not play with the appliance. Cleaning and user maintenance shall not be made by children without supervision.

- H. Stationary appliances not fitted with means for disconnection from the supply mains having a contact separation in all poles that provide full disconnection under over voltage category III, the instructions state that means for disconnection must be incorporated in the fixed wiring in accordance with the wiring rules.



WARNING

The hand dryer **MUST** be isolated from the power supply during installation or maintenance.



Wiring instructions

Always ensure that the installation conforms to the current edition of the I.E.E. wiring regulations, BS 7671 (UK) or the appropriate standards in your country. Ensure that the unit is separately fused with a suitably rated fuse and that it is connected to the supply with a double pole isolating switch having a contact separation of at least 3mm. Care should be taken that single insulated conductors cannot come into contact with the mounting surface.

Mounting instructions

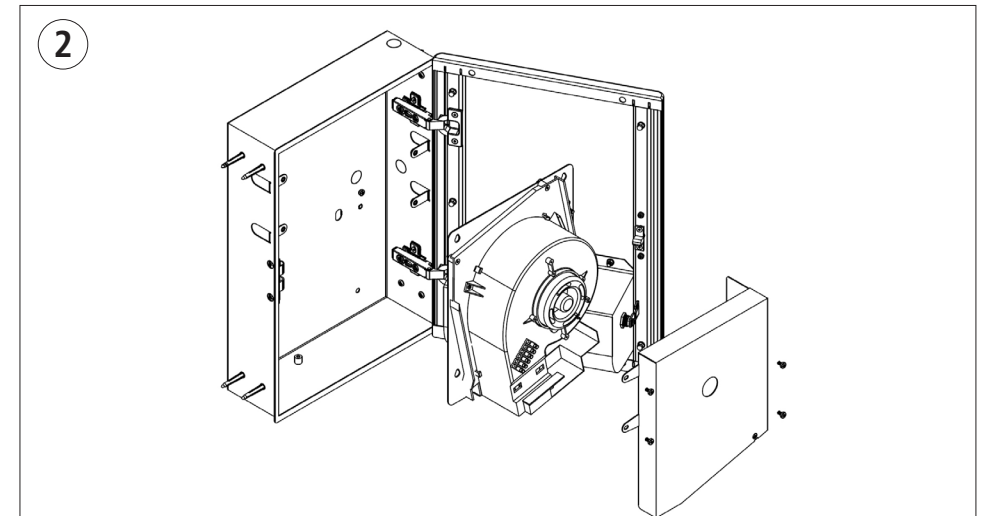
The aperture required in the wall to mount the 2470 unit is 458mm (H) x 318mm (W) x 105mm (D), see Illustration 1. The distance from finished floor level to the bottom of the aperture is as follows:-

- Male washrooms 1028mm
- Female washrooms 978mm
- Disabled washrooms 876mm
- Children aged 14-17 978mm
- Children aged 11-13 876mm
- Children aged 8-10 774mm
- Children aged 4-7 672mm



IMPORTANT

After installation or servicing, units must be checked, and only left when electrically and mechanically safe.



To install the 2470 unit please follow the steps below and outlined in Illustration 2:

1. Create an aperture in the wall to the dimensions outlined in the **Mounting Instructions** (Page 2).
2. Unattach the fascia of the 2470 unit by unclicking the back of the 2 hinges positioned in the right hand side of the back box.
3. Unscrew the cover of the hand dryer and the unit itself and take out of the back box.
4. Offer the back box into the aperture in the wall and fix it in place through the holes on the side and back of the back box.
5. Locate the hand dryer unit into the back box and connect the wiring to the unit as outlined in the **Wiring Instructions** (Page 2). Reattach the fascia by re-clicking the hinges back in to position.
6. Close the fascia panel and using the 2450K key provided, lock the panel closed via the lock positioned in the hand dryer chute.