

Fixing Instructions - 2465 Waste Bin

FI2465
ISSUE 01-10/13

@lgood

SCREW PACK:

3 No. - Nylon Plug **A**

3 No. - No. 12x50 Long

Wood Screw **B**

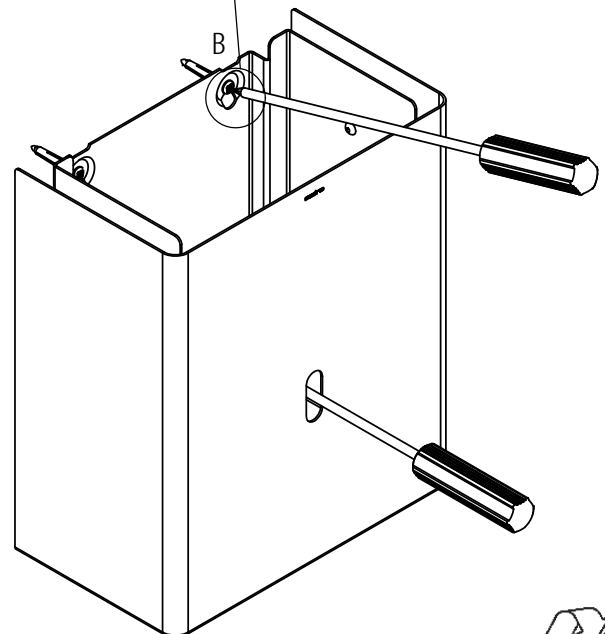
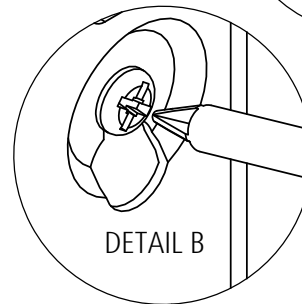
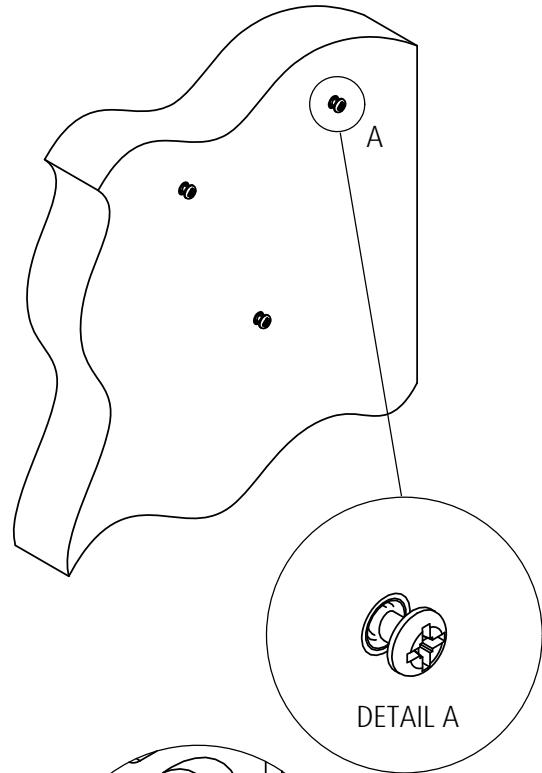
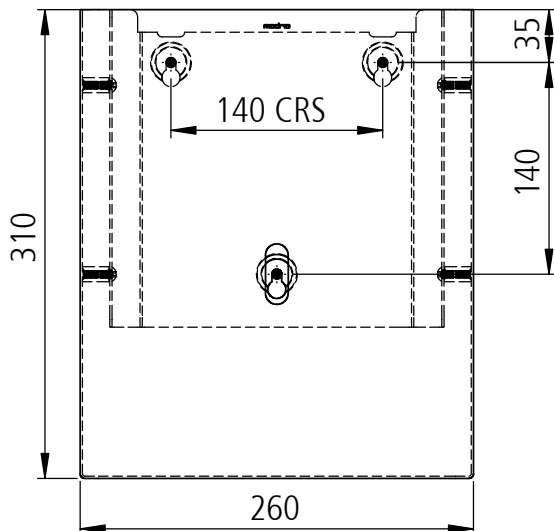
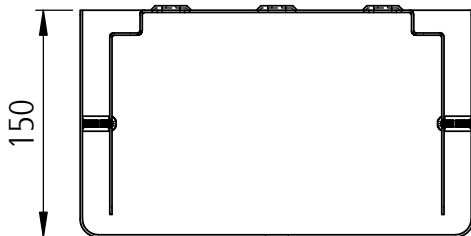


Screw driver with 150 long shaft with Pozi point 2 required to tighten screws

INSTRUCTIONS:

- 1) Drill $\varnothing 7 \times 50$ deep three places CRS as shown below and at a height as required using template FT2465-6-7 supplied. (For fitting to masonry)
- 2) Insert plug **A** flush.
- 3) Screw in screw **B** leaving approx. 5mm gap.
- 4) Locate Bin assembly over screw head through keyhole apertures, pull down against surface and fully tighten screws.
Bottom screw access through oval aperture.

For timber fixing, drill pilot holes to suit timber and screws supplied and discard plugs.



Recycle responsibly