

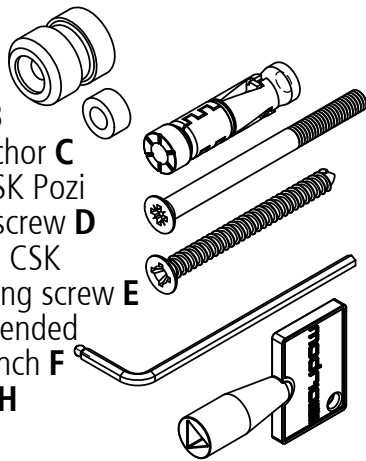
# Fixing Instructions - 2450 Soap Dispenser

FI2450  
ISSUE 01-10/13

@lgood

## SCREW PACK:

- 2 No. - Fixing Lugs **A**
- 2 No. - Nylon Collar **B**
- 2 No. - M6 Shield Anchor **C**
- 2 No. - M6x75 Flat CSK Pozi metal thread screw **D**
- 2 No. - No.12x65 Flat CSK Pozi self tapping screw **E**
- 1 No. - 3mm A/F Ball ended Hexagon Wrench **F**
- 1 No. - MODRIC KEY **H**



## INSTRUCTIONS:

### For fitting to masonry

- 1) Drill  $\phi 12$  x 54 deep at 102 CRS at height as required.
- 2) Insert Shield Anchor **C** & Collar **B** flush to finish wall surface.
- 3) Screw in Fixing Lug **A** with screw **D**.
- 4) Locate Soap Dispenser assembly flush to wall & tighten Grub Screw **G** with Hexagon Wrench **F** from top & bottom of Bkt.

### For fitting to timber base:

Drill pilot holes to suit timber & use screw **E** to fix lug **A** and discard tems **B, C & D**.

