

Fixing Instructions - 2445 Toilet Brush Holder

FI2445

ISSUE 01-08/13

@lgood

SCREW PACK:

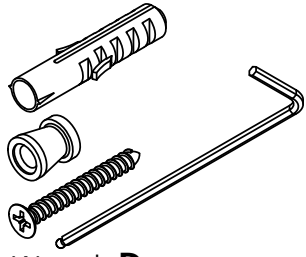
2 No. - Nylon Plugs **A**

2 No. - Fixing Lugs **B**

2 No. - No. 8x50 Long

Wood Screws **C**

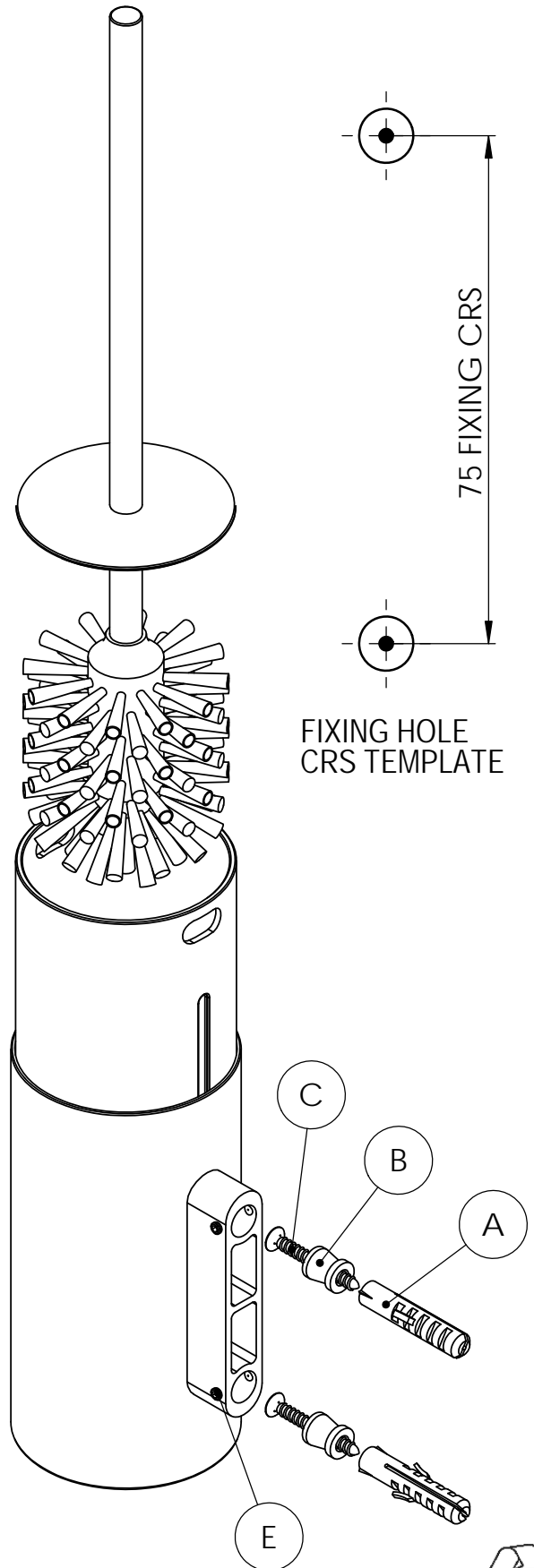
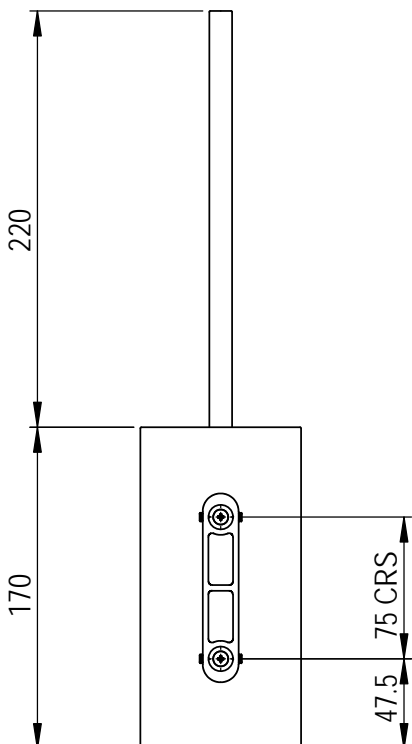
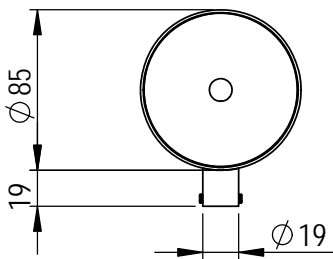
1 No. - 2.5 A/F Hexagon Wrench **D**



INSTRUCTIONS:

- 1) Drill $\varnothing 8 \times 40$ deep at 75 CRS as required.
(For fitting to masonry)
- 2) Insert plug **A** flush.
- 3) Screw in Lug **B** with screw **C**.
- 4) Locate Toilet Brush Holder assembly flush to wall & tighten Grub Screw **E** with Hexagon Wrench **D** from LH or RH side.

For timber fixing, drill pilot holes to suit screws supplied and discard plugs.



Recycle responsibly