

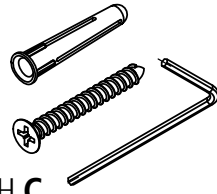
Fixing Instructions - 2440 Toilet Roll Holder - Single

FI2440
ISSUE 01-03/14

@lgood

SCREW PACK:

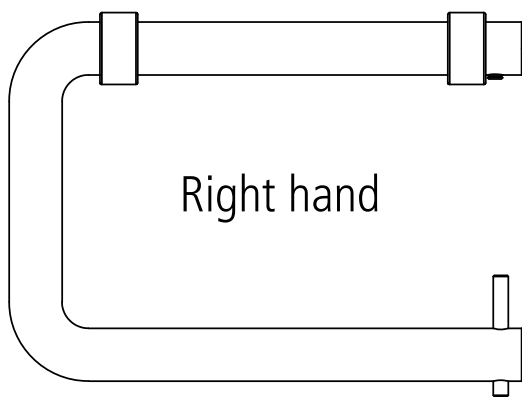
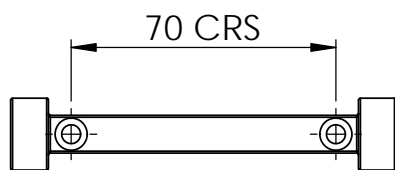
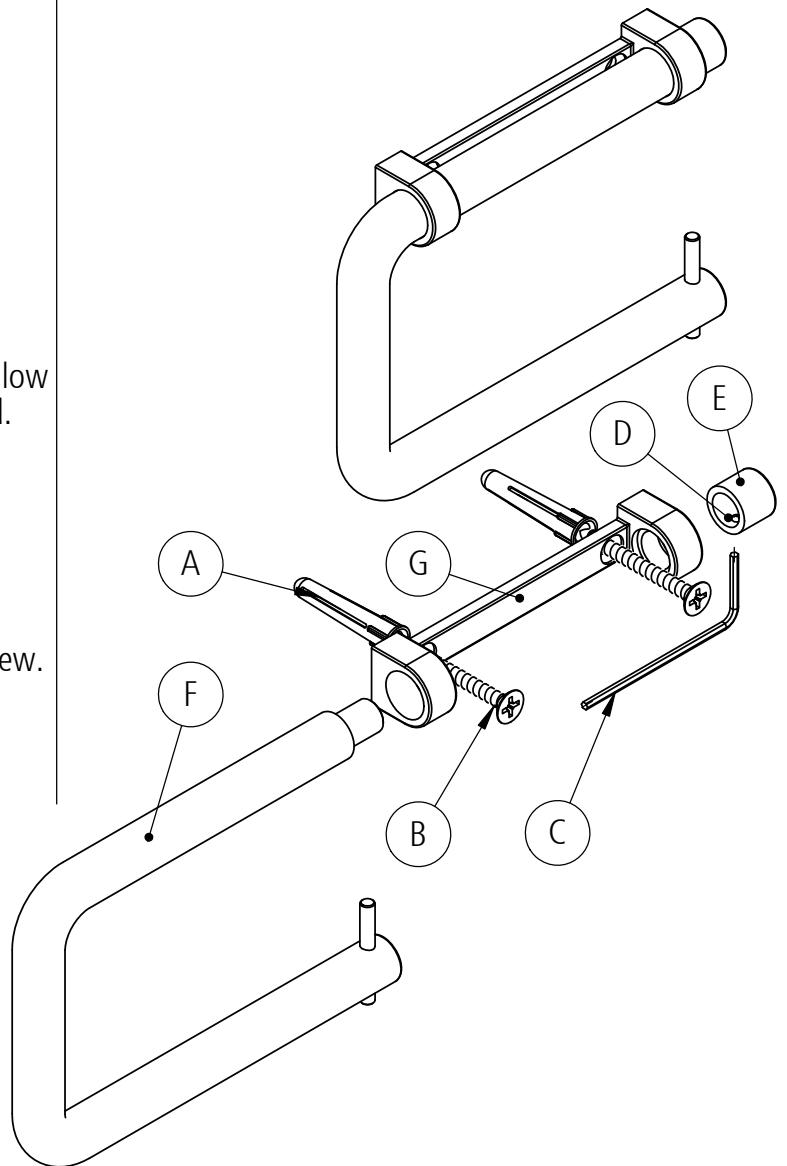
- 2 No. - Nylon Plug **A**
- 2 No. - No. 8x45 Long
Wood Screw **B**
- 1 No. - 2 A/F HEX. WRENCH **C**



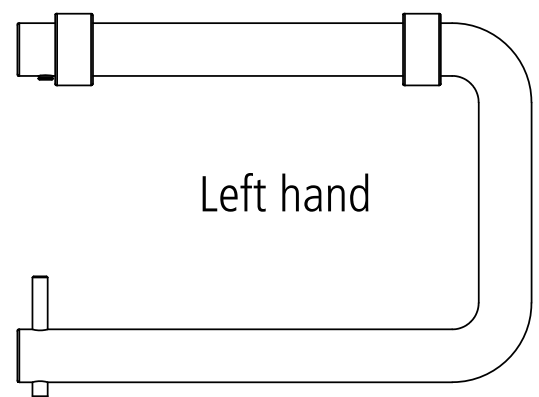
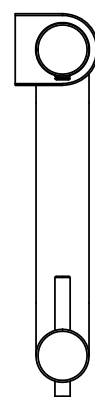
INSTRUCTIONS:

- 1) Unscrew Grub screw **D** located below Cap **E** to allow removal of Cap using hexagon wrench **C** supplied.
- 2) Remove Rail **F** away from Bracket **G**.
- 3) Drill $\varnothing 7 \times 45$ deep holes two places at 75 CRS as shown below and at a height as required.
(for masonry fixing)
- 4) Insert plugs **A** flush.
- 5) Screw in Bracket **G** using screws **B**.
- 6) Reassemble Rail & Cap and fully tighten Grub screw.

For timber fixing, drill pilot holes to suit timber, use screws supplied and discard plugs.



Right hand



Left hand



Recycle responsibly