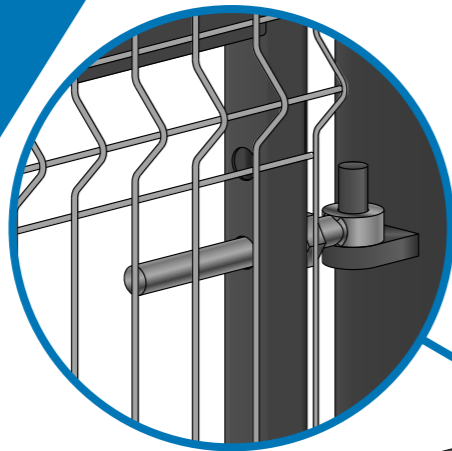
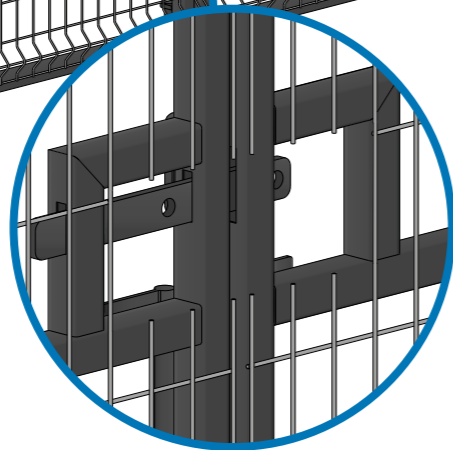
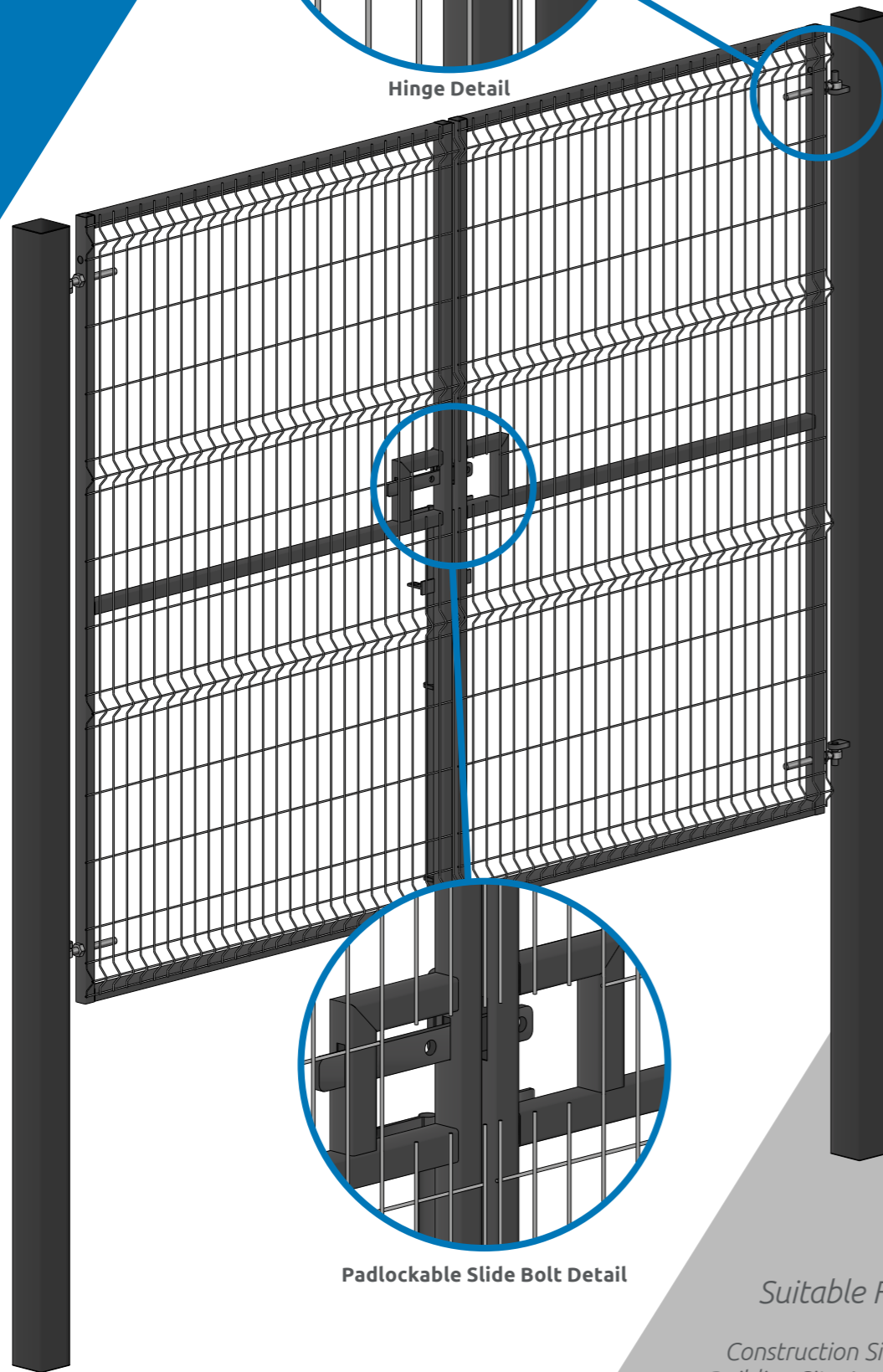


SiteGard™ Double Leaf Mesh



Hinge Detail



Padlockable Slide Bolt Detail

Suitable For:

Construction Site,
Building Site Access

SiteGard™ – Double Leaf Mesh

Double Leaf Hoarding Gates – Protek 1000 Mesh Clad

The Double Leaf Mesh-clad site gate is used extensively as a means to secure site entrances during the construction of any building project. The mesh clad option ensures good visibility at the site entrance/exit helping to improve safety with construction traffic.

All gates are manufactured in our own workshops and standard sizes held in stock giving you the opportunity to secure site entrances quickly and effectively.

Product and Finish Standards

- Framework and posts painted black over bare steel
- The gate spec detailed below is: 2.4m high x 6.0m wide (actual size 2.4m high x 6.22m wide) clad with weldmesh. Gate set includes two dig in type posts, padlockable slidelatch, two drop-bolts and 4no adjustable hinges.

Options

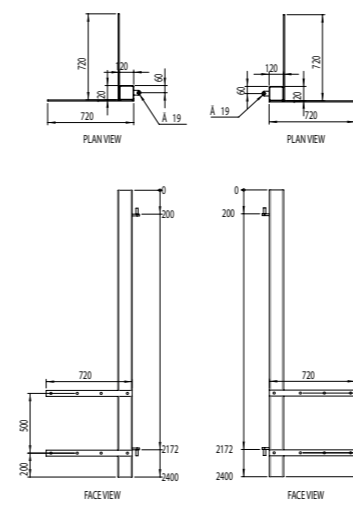
- Concrete Former Box: Where the drilling of base plates isn't an option, Alexandra can provide concrete former boxes for the customer to use to construct supports for their temporary gates.
- Base plated
- Straps to bolt on to concrete posts

Gate Code	Height	Gate Frame Size SHS	Post Size/ Length	Mesh Type
SGC2432	2400mm	40 x 40mm	120 x 120 x 3400mm	200 x 50mm
SGC2442	2400mm	40 x 40mm	120 x 120 x 3400mm	200 x 50mm
SGC2452	2400mm	40 x 40mm	120 x 120 x 3400mm	200 x 50mm
SGC2462	2400mm	40 x 40mm	120 x 120 x 3400mm	200 x 50mm
SGC2482	2400mm	40 x 40mm	120 x 120 x 4000mm	200 x 50mm

Subject to change

Post Options

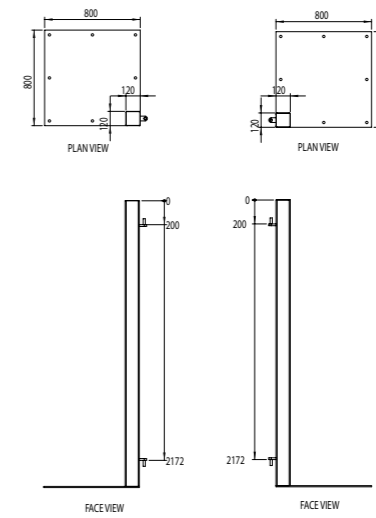
Straps to Concrete Block



LEFT

RIGHT

Base Plated Post



LEFT

RIGHT

For more details on this product please visit our website:
www.alexandrasecurity.com/entrance-solutions