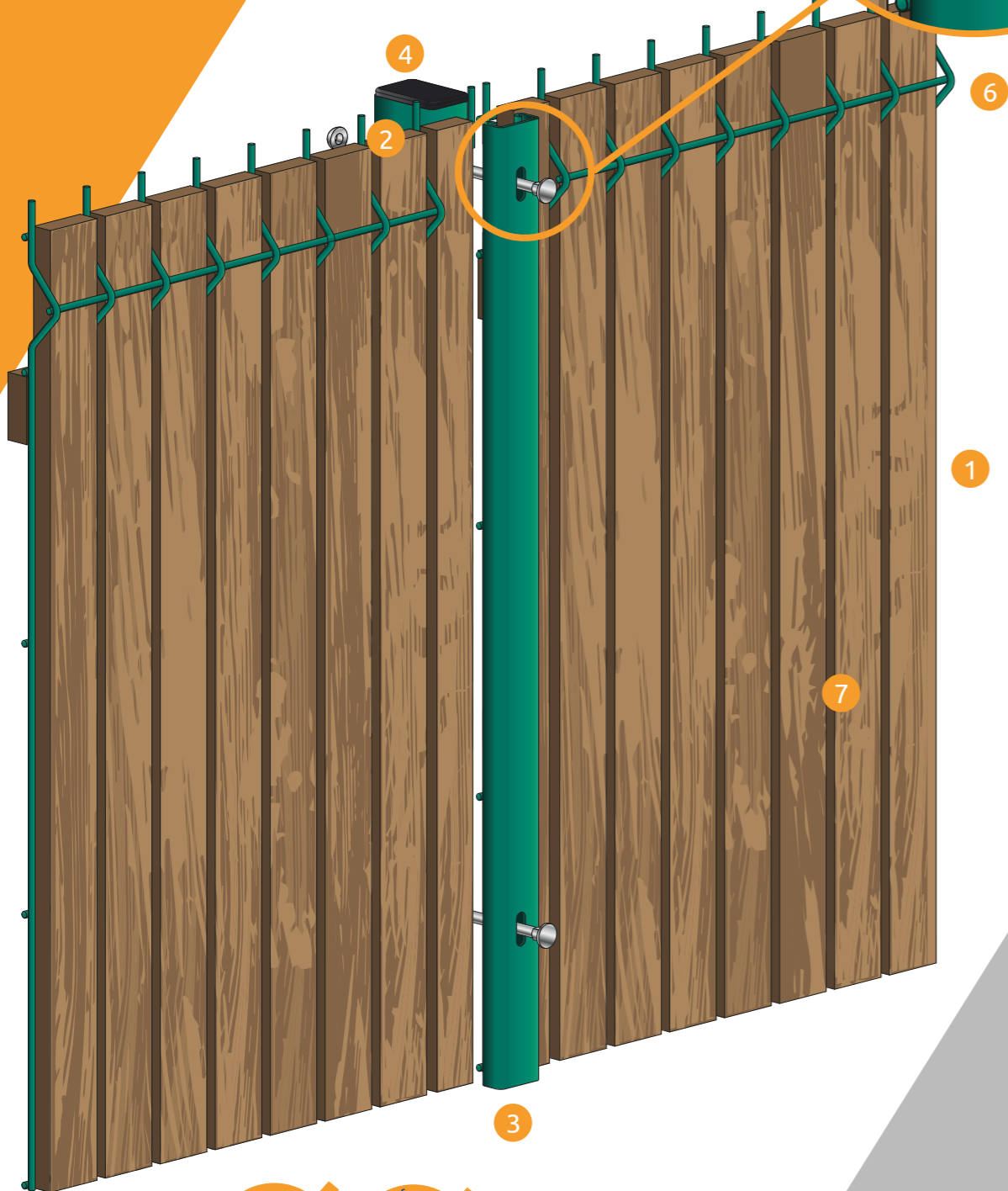
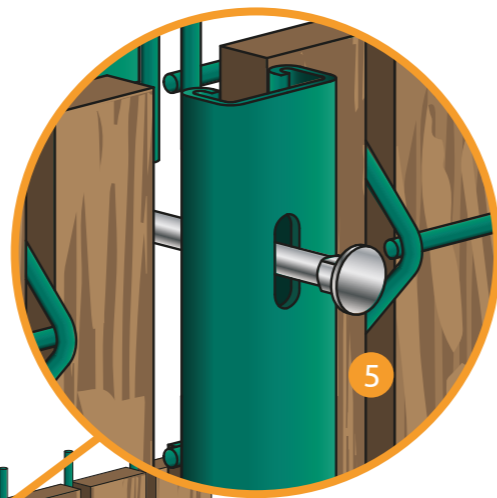


# Protek 2000 Privacy



## Protek 2000 Privacy

### Profiled Mesh with timber infill

A product option for those looking for the security of the Protek 2000, but with the benefit of increased privacy, the same fencing can now be supplied with attractive timber infill panels, which are supported within the 'V' profile of the mesh and a secure fixing baton on the back. Suitable for many commercial and residential applications.

### Posts, Clamps and Fixings

The posts and full length clamp bars that Alexandra Security Limited offers provide a fixing system which secures the panels but allows for variations. The system is easy to install and allows the panels to be stepped, helping the fence line to follow the contours of the ground. With the vandal resistant security fixings this post and clamp system provides a higher level of security than the traditional clip system.

### Product and Finish Standards

- Mesh panel wire manufactured to BS 4102 and galvanised to BS EN 10244-2:2001 class D, weld strength is 75% of the minimum tensile strength of the wire (tensile range 540-690 N/m<sup>2</sup>)
- Post material manufactured to BS EN 10210-2:1997 and galvanised to BS EN 10346:2009
- Panels & Posts are powder coated to BS EN 13438:2005 (min 100 micron)
- Timber slat size = 19 x 50mm, with lengths dependant on the height of the fence. All timber is planned finished and pressure treated.

### Options

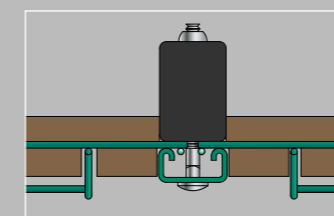
- Panels can be inverted to create flat top option

Nominal Fence Height (m)	Panel Size Height x Width (mm)	No. 'V' Bars per Panel	Overall Length of Post (mm)	Post Size (mm)	Number of Fixings	
					Ends/Inters (1 Clamp)	Corners (2 Clamps)
1.8	1,730 x 2,500	3	2,400	60 x 40	4	8
2.0	1,930 x 2,500	3	2,700	60 x 40	4	8
2.4	2,330 x 2,500	4	3,150	60 x 40	5	10
3.0	2,930 x 2,445	5	3,900	80 x 40	6	12

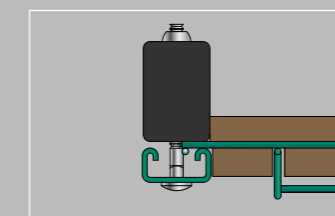
Subject to change

- 1 Mesh panel - mesh size 200 x 55mm - 5mm wire
- 2 Post - Varies with height (see table)
- 3 Clamp bar 41 x 21mm channel (full length of mesh panel)
- 4 Plastic cap - 60 x 40mm
- 5 M8 x 100 Cup square security bolt, M8 shear nut
- 6 Triangular folds - 3, 4 or 5 per panel (depending on height)
- 7 Timber infill panel - supplied in loose form

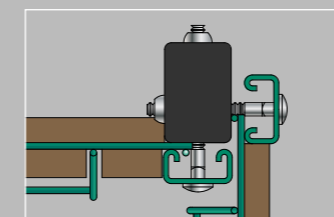
Intermediate post



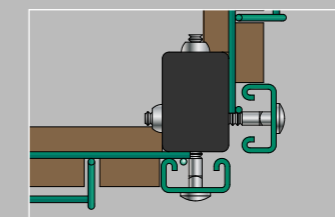
End post



Internal corner post



External corner post



### Suitable For:

School Boundaries, Public Areas, Retail Parks, Perimeter Protection, Residential Areas



For more details on this product please visit our website:  
[www.alexandrasecurity.com/general-mesh](http://www.alexandrasecurity.com/general-mesh)