

Laws and building and safety codes governing the design and use of glazed entrance, window, and curtain wall products vary widely. Kawneer does not control the selection of product configurations, operating hardware, or glazing materials, and assumes no responsibility therefor.

Kawneer reserves the right to change configuration without prior notice when deemed necessary for product improvement.
© Kawneer Company, Inc., 2014

GLASSvent - 1600 WALL SYSTEM™1 (1" INFILL)..... 2, 3

GLASSvent - 1600 WALL SYSTEM™1 (1/4" INFILL)..... 4, 5

GLASSvent - 1600 WALL SYSTEM™2 (1" INFILL)..... 6

GLASSvent - 1600 WALL SYSTEM™2 (1/4" INFILL)..... 7

HARDWARE..... 8, 9

LAWS AND BUILDING AND SAFETY CODES GOVERNING THE DESIGN AND USE OF GLAZED ENTRANCE, WINDOW, AND CURTAIN WALL PRODUCTS VARY WIDELY. KAWNEER DOES NOT CONTROL THE SELECTION OF PRODUCT CONFIGURATIONS, OPERATING HARDWARE, OR GLAZING MATERIALS, AND ASSUMES NO RESPONSIBILITY THEREFOR.

Metric (SI) conversion figures are included throughout these details for reference. Numbers in parentheses () are millimeters unless otherwise noted.

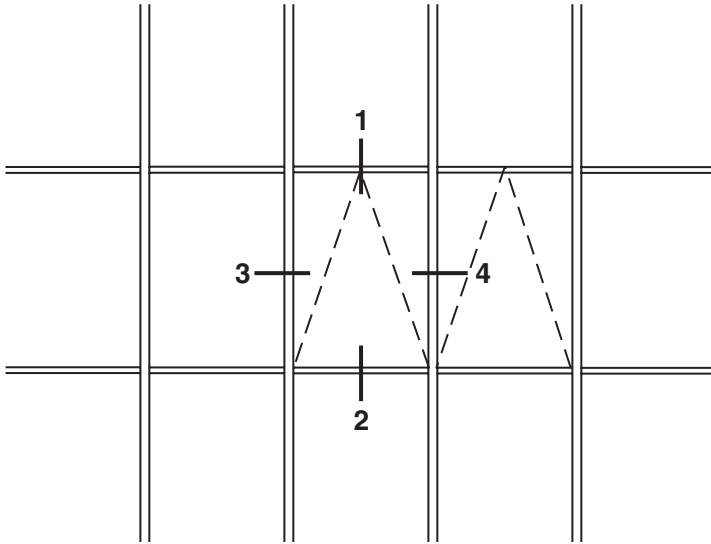
The following metric (SI) units are found in these details:

- m – meter
- cm – centimeter
- mm – millimeter
- s – second
- Pa – pascal
- MPa – megapascal

Kawneer reserves the right to change configurations without prior notice when deemed necessary for product improvement.

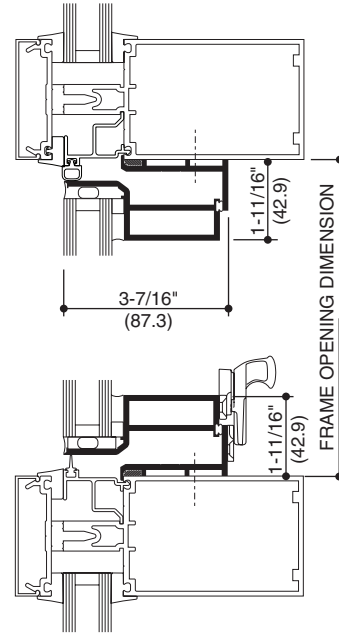
SCALE 3" = 1'-0"

1" STRUCTURAL SILICONE GLAZING

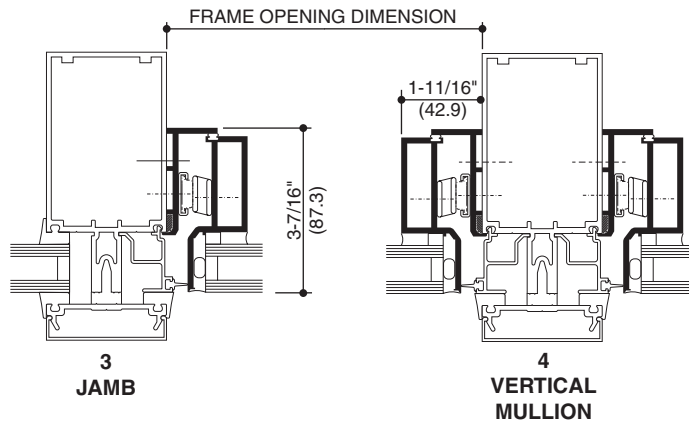


PROJECT-OUT AW-90

1
HEAD



2
SILL



3
JAMB

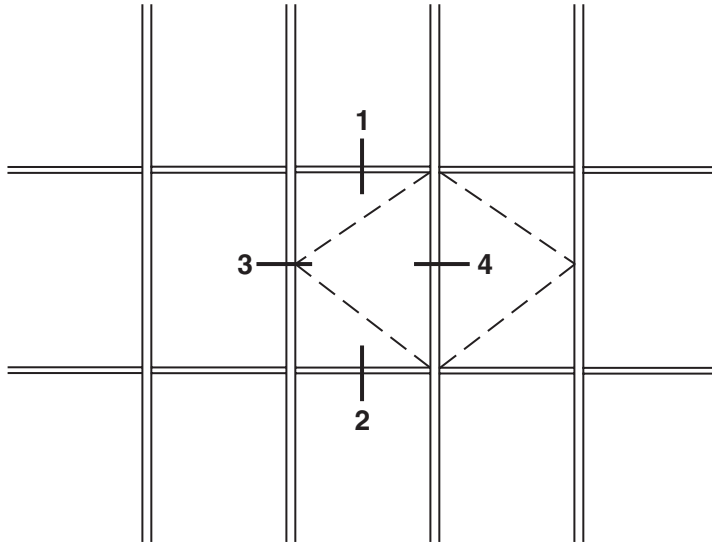
4
VERTICAL
MULLION

Laws and building and safety codes governing the design and use of glazed entrance, window, and curtain wall products vary widely. Kawneer does not control the selection of product configurations, operating hardware, or glazing materials, and assumes no responsibility therefor.

Kawneer reserves the right to change configuration without prior notice when deemed necessary for product improvement.
© Kawneer Company, Inc., 2014

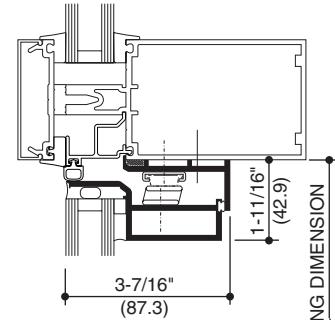
SCALE 3" = 1'-0"

1" STRUCTURAL SILICONE GLAZING

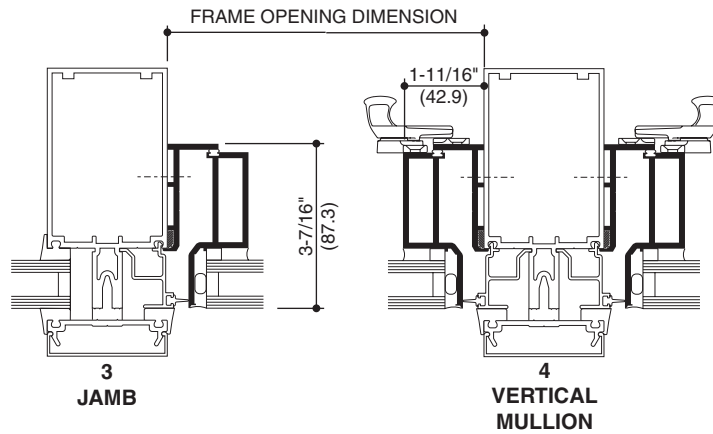
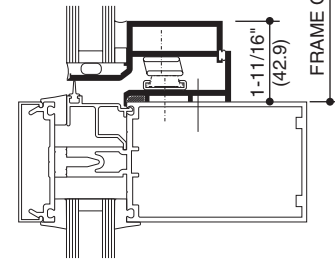


OUTSWING CASEMENT AW-90

1 HEAD



2 SILL

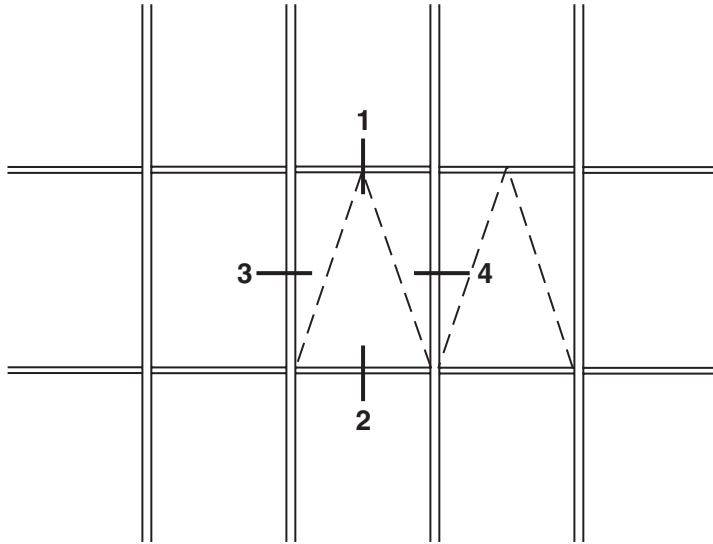


Laws and building and safety codes governing the design and use of glazed entrance, window, and curtain wall products vary widely. Kawneer does not control the selection of product configurations, operating hardware, or glazing materials, and assumes no responsibility therefor.

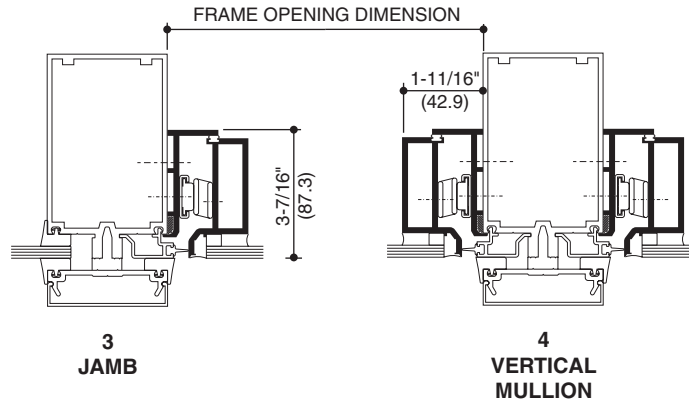
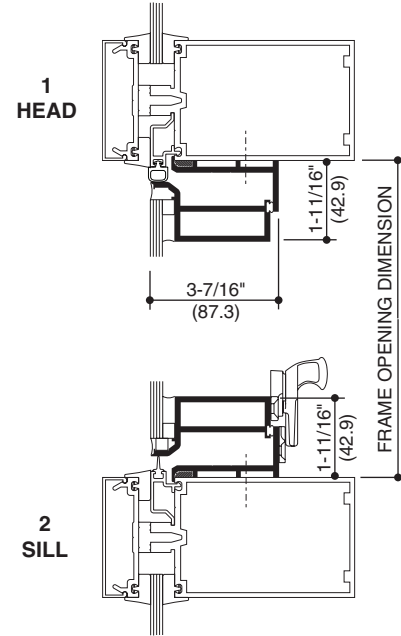
Kawneer reserves the right to change configuration without prior notice when deemed necessary for product improvement.
© Kawneer Company, Inc., 2014

SCALE 3" = 1'-0"

1/4" STRUCTURAL SILICONE GLAZING



PROJECT-OUT AW-90

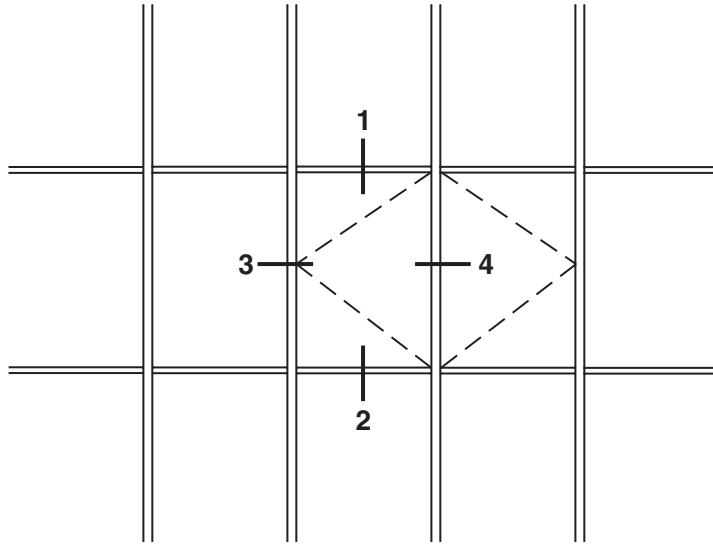


Laws and building and safety codes governing the design and use of glazed entrance, window, and curtain wall products vary widely. Kawneer does not control the selection of product configurations, operating hardware, or glazing materials, and assumes no responsibility therefor.

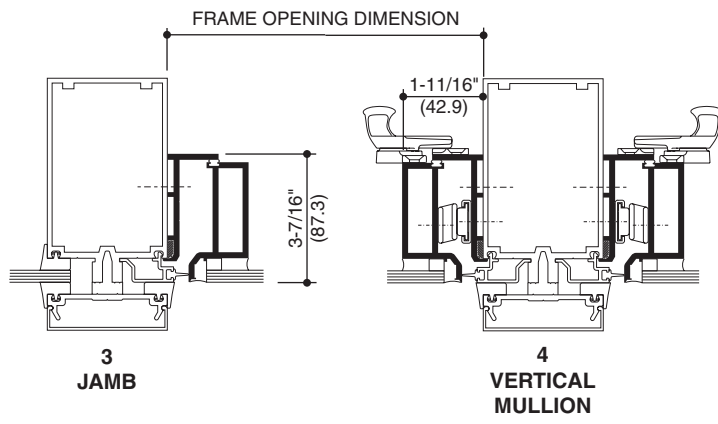
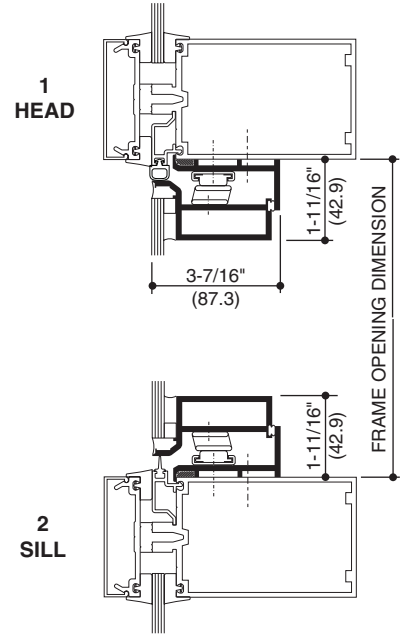
Kawneer reserves the right to change configuration without prior notice when deemed necessary for product improvement.
© Kawneer Company, Inc., 2014

SCALE 3" = 1'-0"

1/4" STRUCTURAL SILICONE GLAZING



OUTSWING CASEMENT AW-90

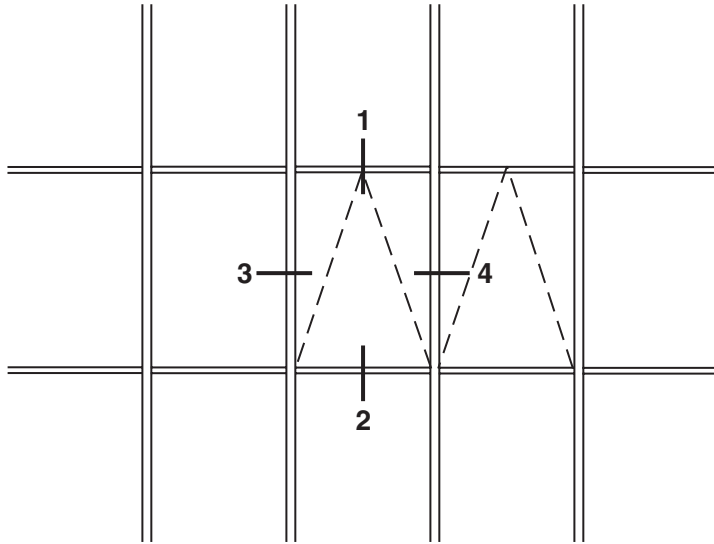


Laws and building and safety codes governing the design and use of glazed entrance, window, and curtain wall products vary widely. Kawneer does not control the selection of product configurations, operating hardware, or glazing materials, and assumes no responsibility therefor.

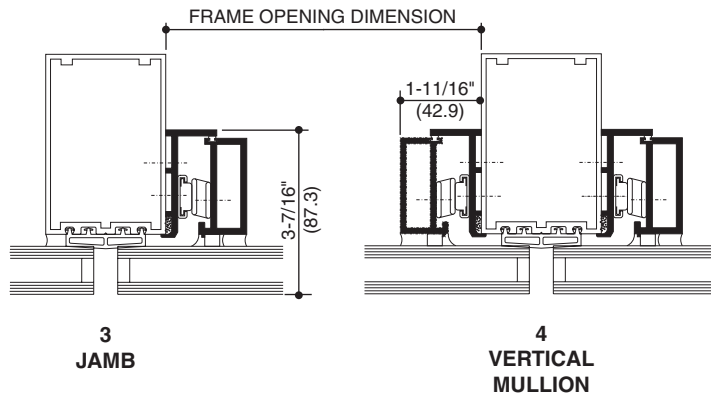
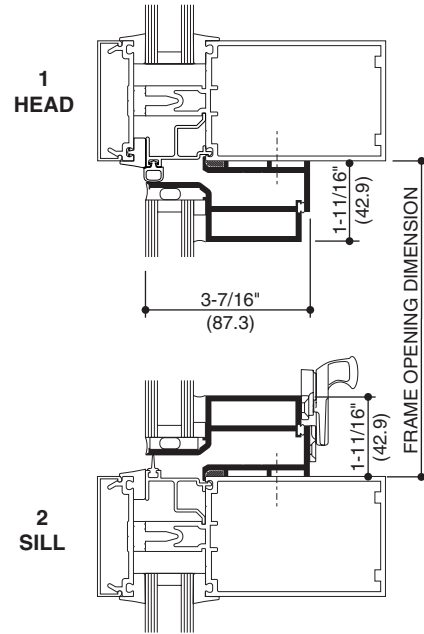
Kawneer reserves the right to change configuration without prior notice when deemed necessary for product improvement.
© Kawneer Company, Inc., 2014

SCALE 3" = 1'-0"

1" STRUCTURAL SILICONE GLAZING



PROJECT-OUT AW-90



Laws and building and safety codes governing the design and use of glazed entrance, window, and curtain wall products vary widely. Kawneer does not control the selection of product configurations, operating hardware, or glazing materials, and assumes no responsibility therefor.

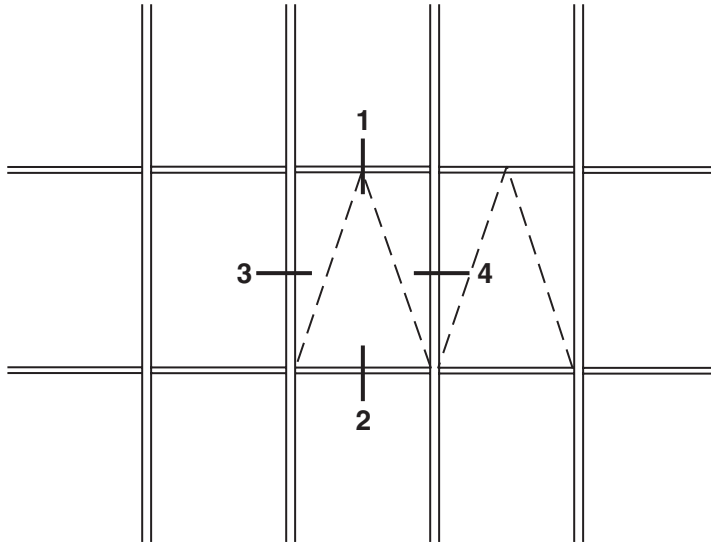
Kawneer reserves the right to change configuration without prior notice when deemed necessary for product improvement.
© Kawneer Company, Inc., 2014

SCALE 3" = 1'-0"

1/4" STRUCTURAL SILICONE GLAZING

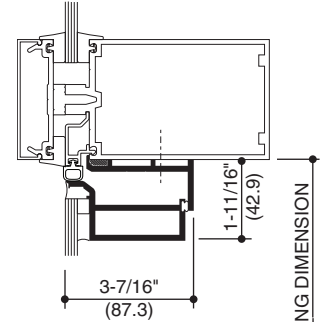
Laws and building and safety codes governing the design and use of glazed entrance, window, and curtain wall products vary widely. Kawneer does not control the selection of product configurations, operating hardware, or glazing materials, and assumes no responsibility therefor.

Kawneer reserves the right to change configuration without prior notice when deemed necessary for product improvement.
© Kawneer Company, Inc., 2014

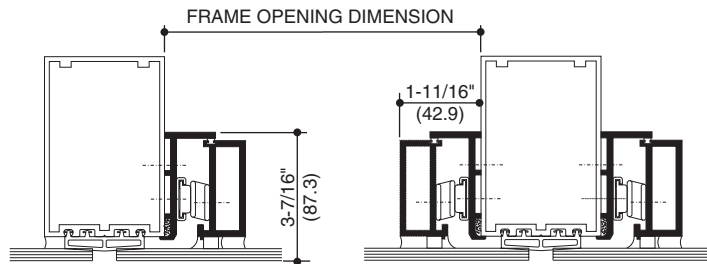
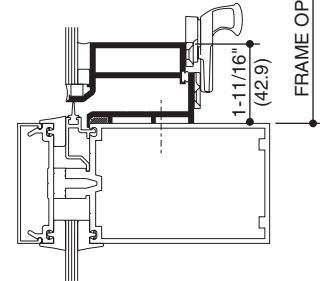


PROJECT-OUT AW-90

**1
HEAD**



**2
SILL**



**3
JAMB**

**4
VERTICAL
MULLION**

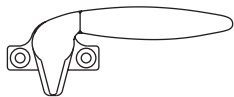
HARDWARE SELECTION GUIDE

DESCRIPTION	PROJECT - OUT	OUTSWING CASEMENT
Stainless steel 4-bar hinge	STANDARD	STANDARD
Cast white bronze cam lock	STANDARD	STANDARD
Cast white bronze cam lock with pole ring	OPTIONAL	OPTIONAL
Cast white bronze custodial lock with removable handle	OPTIONAL	OPTIONAL
Cast white bronze concealed lock with removable hex key	OPTIONAL	OPTIONAL
Cast white bronze pole/pull ring	OPTIONAL	—
Stainless Steel Support Arms (For DLOs over 48")	STANDARD	—
Multi-point lock with cast white bronze locking handle	—	OPTIONAL
Insect screen	OPTIONAL	OPTIONAL

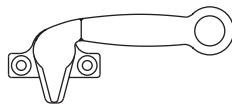
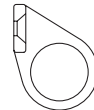
MAXIMUM / MINIMUM SIZES (1/4" & 1" Infills)

PROJECT-OUT MAXIMUM 60" x 72"
MINIMUM 12" x 12"

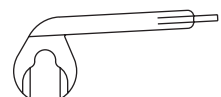
OUTSWING CASEMENT MAXIMUM 36" x 72"
MINIMUM 12" x 12"



CAM LOCK

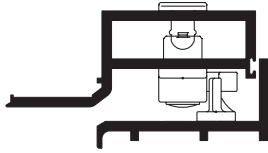
CAM LOCK
WITH POLE RING

PULL RING

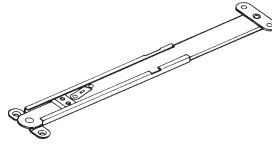
ACCESS
CONTROL
LOCKREMOVABLE
HANDLE

Laws and building and safety codes governing the design and use of glazed entrance, window, and curtain wall products vary widely. Kawneer does not control the selection of product configurations, operating hardware, or glazing materials, and assumes no responsibility therefor.

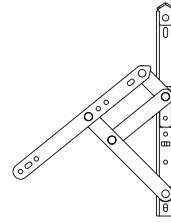
Kawneer reserves the right to change configuration without prior notice when deemed necessary for product improvement.
© Kawneer Company, Inc., 2014



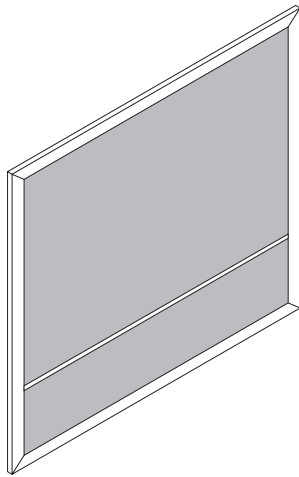
CONCEALED LOCK



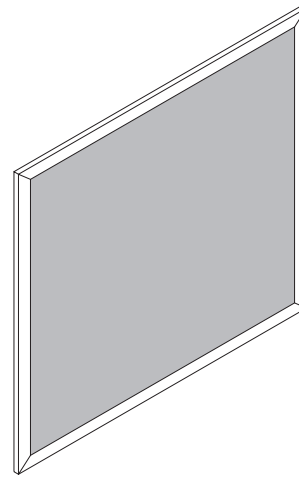
STAINLESS STEEL SUPPORT ARMS



STAINLESS STEEL 4 BAR HINGES



INSECT SCREEN WITH STANDARD WICKET



INSECT SCREEN WITH FULL WICKET

Laws and building and safety codes governing the design and use of glazed entrance, window, and curtain wall products vary widely. Kawneer does not control the selection of product configurations, operating hardware, or glazing materials, and assumes no responsibility therefor.

Kawneer reserves the right to change configuration without prior notice when deemed necessary for product improvement.
© Kawneer Company, Inc., 2014

Laws and building and safety codes governing the design and use of glazed entrance, window, and curtain wall products vary widely. Kawneer does not control the selection of product configurations, operating hardware, or glazing materials, and assumes no responsibility therefor.

Kawneer reserves the right to change configuration without prior notice when deemed necessary for product improvement.
© Kawneer Company, Inc., 2014