

Laws and building and safety codes governing the design and use of glazed entrance, window, and curtain wall products vary widely. Kawneer does not control the selection of product configurations, operating hardware, or glazing materials, and assumes no responsibility therefor.

8410TL FIXED WINDOW 3-6

8430TL SINGLE HUNG WINDOW 7-12

8450TL DOUBLE HUNG WINDOW 13-18

8470TL HORIZONTAL SLIDER 19-23

MULLIONS 24-27

RECEPTORS AND SUB SILLS 28

ANCHORING 29

Kawneer reserves the right to change configuration without prior notice when deemed necessary for product improvement.
© Kawneer Company, Inc., 2011

LAWS AND BUILDING AND SAFETY CODES GOVERNING THE DESIGN AND USE OF GLAZED ENTRANCE, WINDOW, AND CURTAIN WALL PRODUCTS VARY WIDELY. KAWNEER DOES NOT CONTROL THE SELECTION OF PRODUCT CONFIGURATIONS, OPERATING HARDWARE, OR GLAZING MATERIALS, AND ASSUMES NO RESPONSIBILITY THEREFOR.

Metric (SI) conversion figures are included throughout these details for reference. Numbers in parentheses () are millimeters unless otherwise noted.

The following metric (SI) units are found in these details:

- m – meter
- cm – centimeter
- mm – millimeter
- s – second
- Pa – pascal
- MPa – megapascal

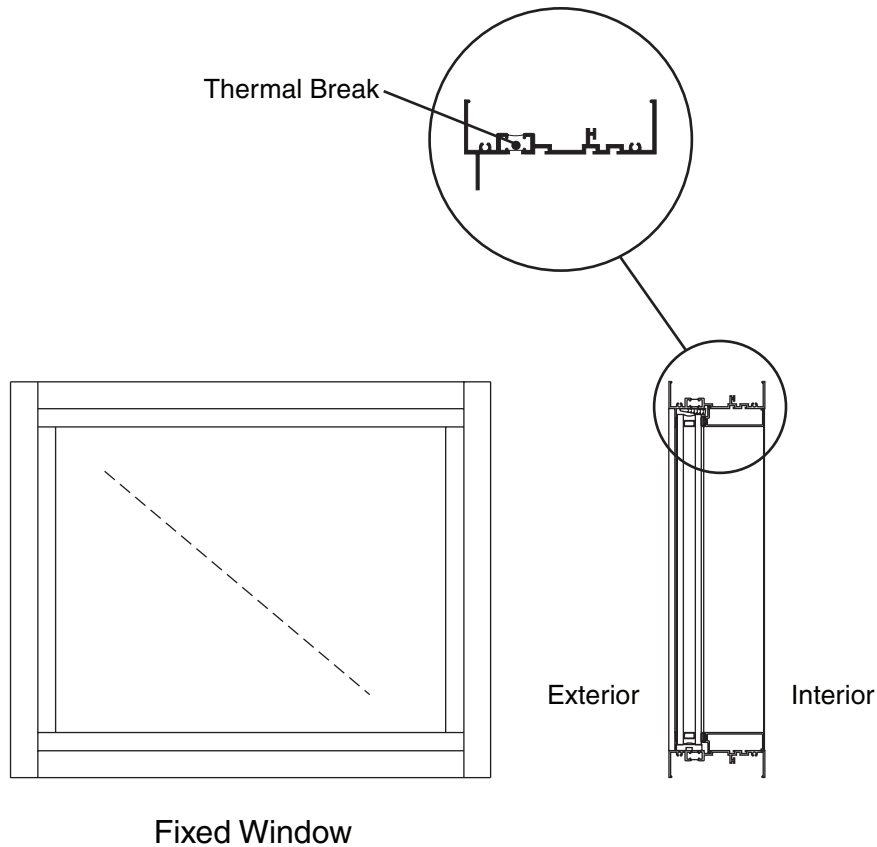
Kawneer reserves the right to change configurations without prior notice when deemed necessary for product improvement.

Laws and building and safety codes governing the design and use of glazed entrance, window, and curtain wall products vary widely. Kawneer does not control the selection of product configurations, operating hardware, or glazing materials, and assumes no responsibility therefor.

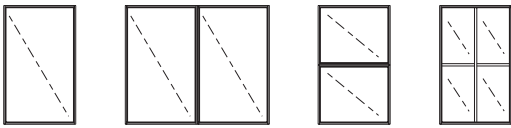
Kawneer reserves the right to change configuration without prior notice when deemed necessary for product improvement.
© Kawneer Company, Inc., 2011

Standard Features

- Heavy Commercial Grade Window
- Series 8410TL Standard Design
- ISOLOCK® Thermal Break
- Screw and Spline Frame Corner Joinery
- Factory Silicone Glazed
- Interior Applied Glazing Bead with Bulb Gasket
- Architectural Anodized Finishes and Applied Coatings
- Two Year Manufacturer's Warranty



For specific product applications,
Consult your Kawneer representative.

CLASS and GRADE	Heavy Commercial Grade F-HC100 / F-AW100					
TESTING STANDARD	ANSI / AAMA / NWWDA 101 / I.S. 2-97 / NAFS 1					
FRAME DEPTH	4" Overall Frame Depth					
TYPICAL WALL THICKNESS	.070 Nominal					
TYPICAL MAXIMUM SIZE	60" x 99"					
TYPICAL MINIMUM SIZE	12" x 12"					
TYPICAL CONFIGURATIONS						
STANDARD INFILL OPTIONS	1/4", 3/4" with Glazed-in Muntin Grid, 1", and 1-1/2"					
STANDARD HARDWARE	Not Applicable					
OPTIONAL HARDWARE	Not Applicable					
OTHER OPTIONS	Exterior Glazed-in Muntin Grids Exterior Glazing Offset Glazing Perimeters and Sills Exterior Pannings and Interior Trims True Intermediate Mullions Structural Mullions Vertically or Horizontally Stacked					
PERFORMANCE	Air Infiltration Cfm/ft ²	Water Resistance PSF	Design Load PSF	Thermal Transmittance "U" Value	Condensation Resistance CRF	Sound Transmittance STC
	.30 @ 6.24 psf	15	100	.60	58	n/a

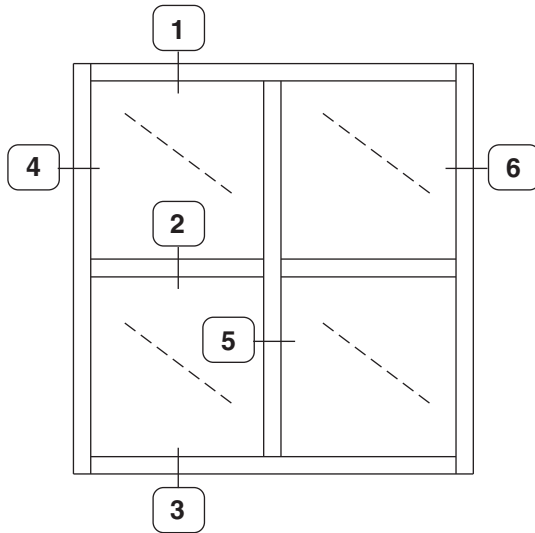
Note: Thermal values are based upon 1" clear insulating glass.

Laws and building and safety codes governing the design and use of glazed entrance, window, and curtain wall products vary widely. Kawneer does not control the selection of product configurations, operating hardware, or glazing materials, and assumes no responsibility therefor.

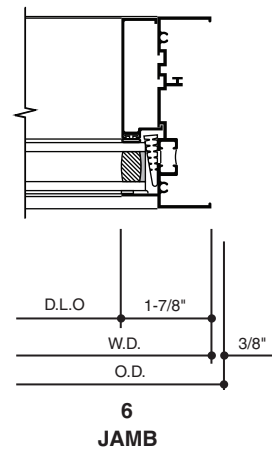
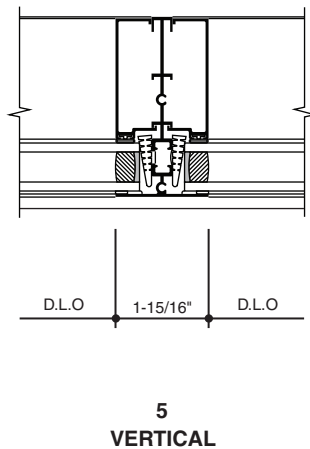
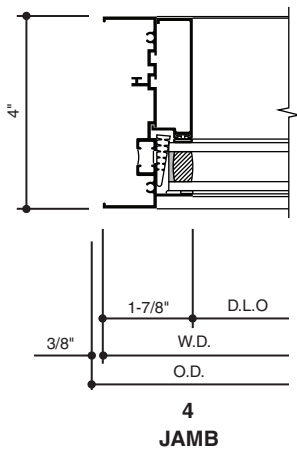
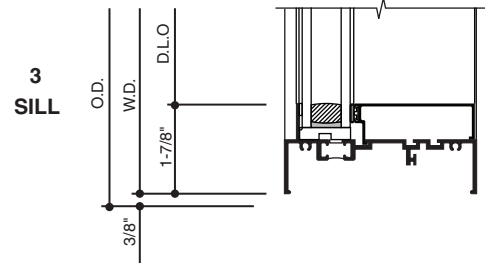
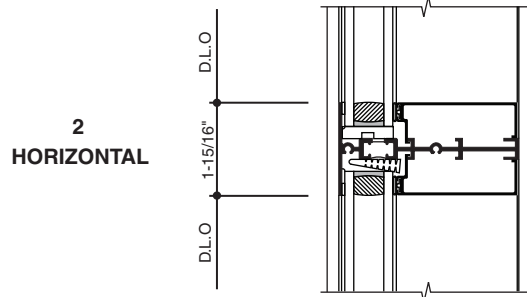
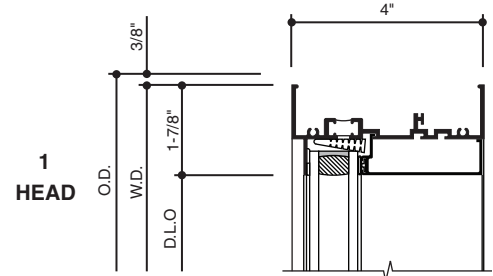
Kawneer reserves the right to change configuration without prior notice when deemed necessary for product improvement.
© Kawneer Company, Inc., 2011

SCALE : 3" = 1'-0"

8410TL FIXED WINDOW
 Standard Design



TYPICAL ELEVATION
 Log onto www.kawneer.com for other configurations

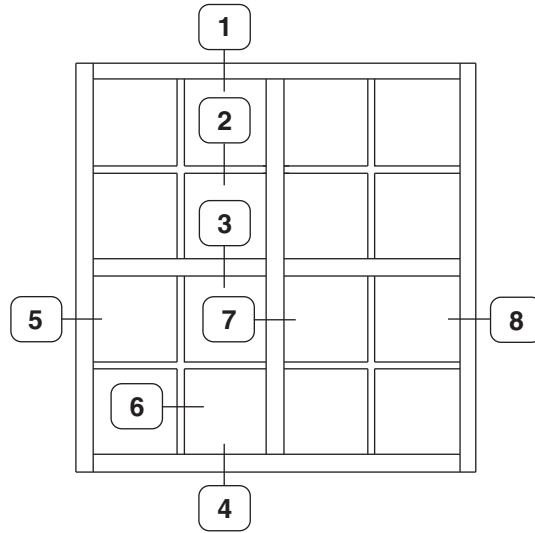


Laws and building and safety codes governing the design and use of glazed entrance, window, and curtain wall products vary widely. Kawneer does not control the selection of product configurations, operating hardware, or glazing materials, and assumes no responsibility therefor.

Kawneer reserves the right to change configuration without prior notice when deemed necessary for product improvement.
 © Kawneer Company, Inc., 2011

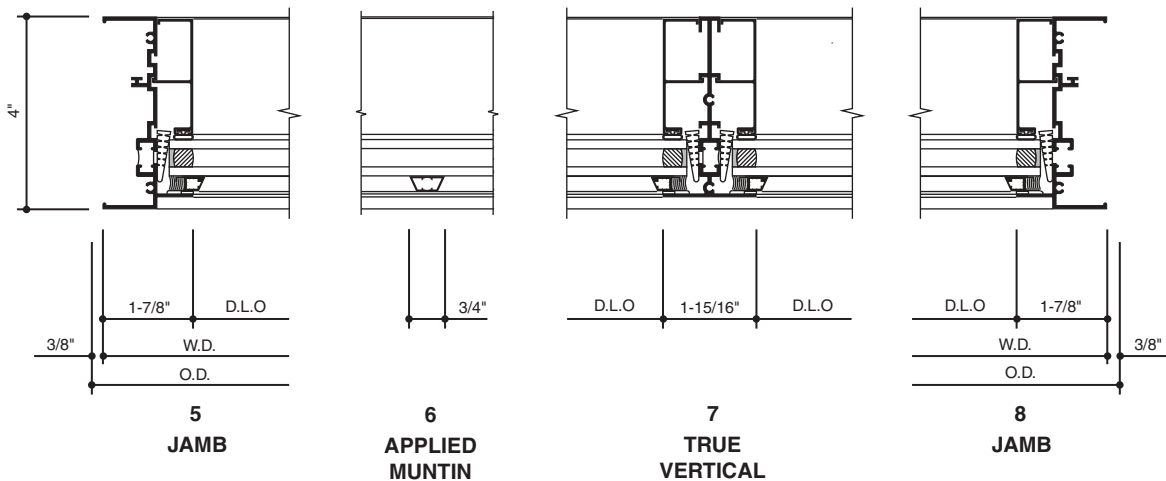
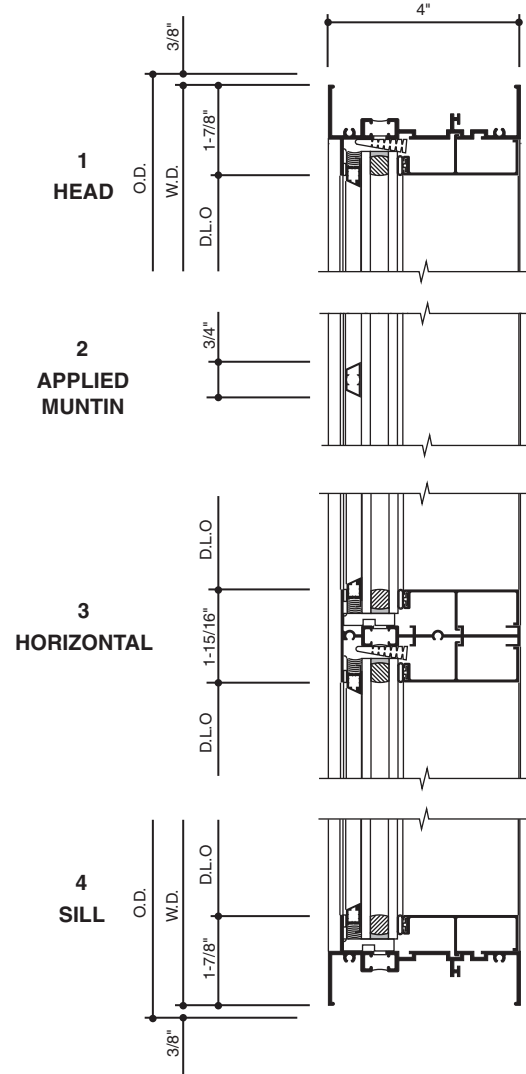
SCALE : 3" = 1'-0"

8410TL FIXED WINDOW
with Glazed-in Muntin Grid



TYPICAL ELEVATION

Log onto www.kawneer.com for other configurations

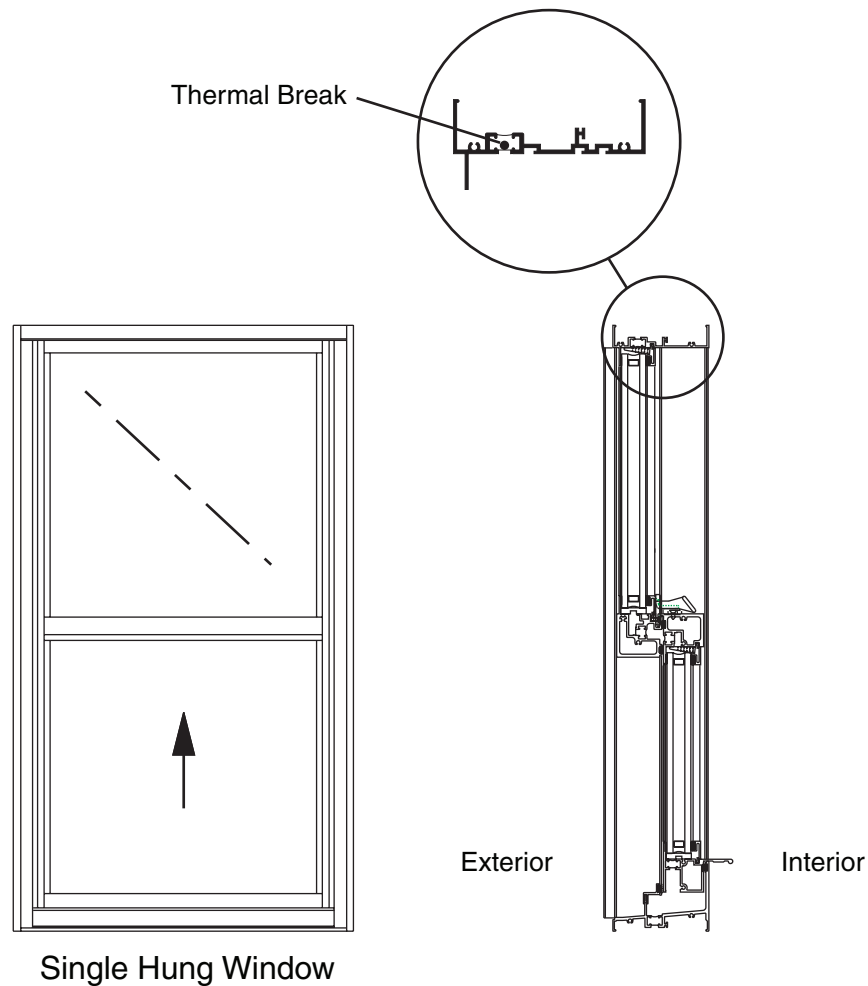


Laws and building and safety codes governing the design and use of glazed entrance, window, and curtain wall products vary widely. Kawneer does not control the selection of product configurations, operating hardware, or glazing materials, and assumes no responsibility therefor.

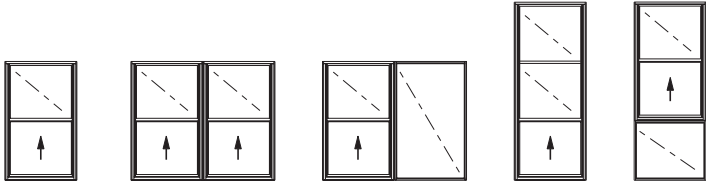
Kawneer reserves the right to change configuration without prior notice when deemed necessary for product improvement.
© Kawneer Company, Inc., 2011

Standard Features

- Heavy Commercial Grade Window
- Series 8430TL Standard Design
- ISOLOCK® Thermal Break
- Screw and Spline Frame and Sash Corner Joinery
- Factory Silicone Glazed
- Interior Applied Glazing Bead with Bulb Gasket
- Architectural Anodized Finishes and Applied Coatings
- Two Year Manufacturer's Warranty



For specific product applications,
Consult your Kawneer representative.

CLASS and GRADE	Heavy Commercial Grade H-HC70 / H-AW70					
TESTING STANDARD	AAMA / WDMA / CSA 101 / I.S. 2 / A440-05					
FRAME DEPTH	4" Overall Frame Depth					
TYPICAL WALL THICKNESS	.070 Nominal					
TYPICAL MAXIMUM SIZE	60" x 99"					
TYPICAL MINIMUM SIZE	20" x 33"					
TYPICAL CONFIGURATIONS						
STANDARD INFILL OPTIONS	1/4", 3/4" with Glazed-in Muntin Grid, and 1"					
STANDARD HARDWARE	Heavy Duty Balances Cast White Bronze Sweep Locks					
OPTIONAL HARDWARE	Aluminum Auto Lock					
OTHER OPTIONS	Exterior Glazed-in Muntin Grids Perimeters and Sills Exterior Pannings and Interior Trims True Intermediate Mullions Structural Mullions Vertically or Horizontally Stacked Sill for 10 PSF or 15 PSF Water Performance Insect Screens					
PERFORMANCE	Air Infiltration Cfm/ft ²	Water Resistance PSF	Design Load PSF	Thermal Transmittance "U" Value	Condensation Resistance CRF	Sound Transmittance STC
	.30 @ 6.24 psf	10 / 15	70	.70	49	34

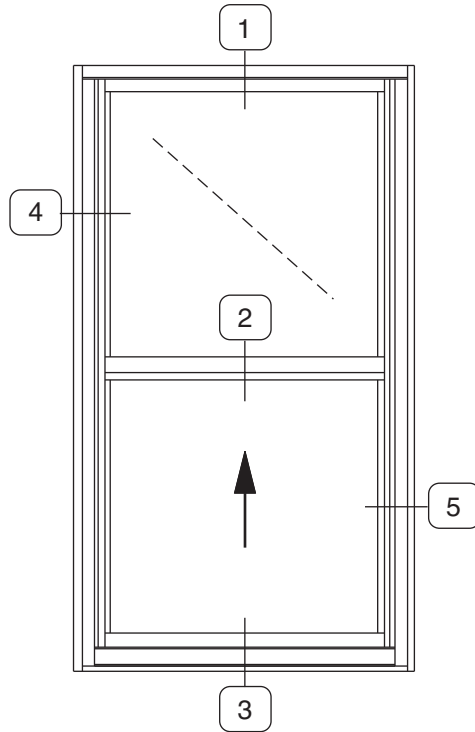
Note: Thermal and STC values are based upon 1" clear insulating glass.

Laws and building and safety codes governing the design and use of glazed entrance, window, and curtain wall products vary widely. Kawneer does not control the selection of product configurations, operating hardware, or glazing materials, and assumes no responsibility therefor.

Kawneer reserves the right to change configuration without prior notice when deemed necessary for product improvement.
© Kawneer Company, Inc., 2011

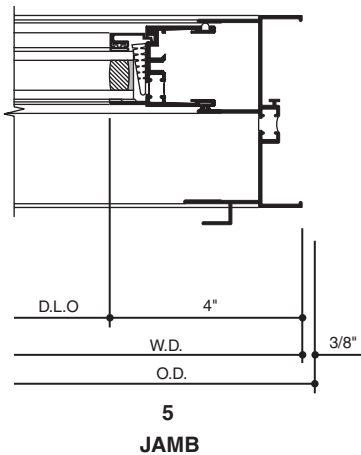
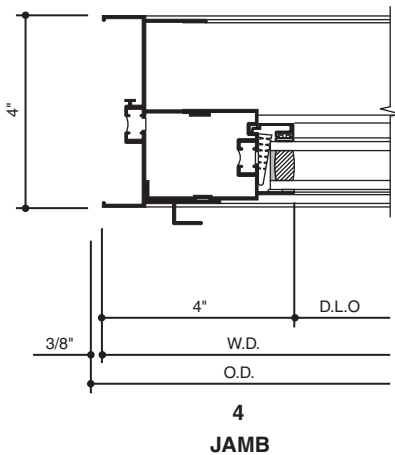
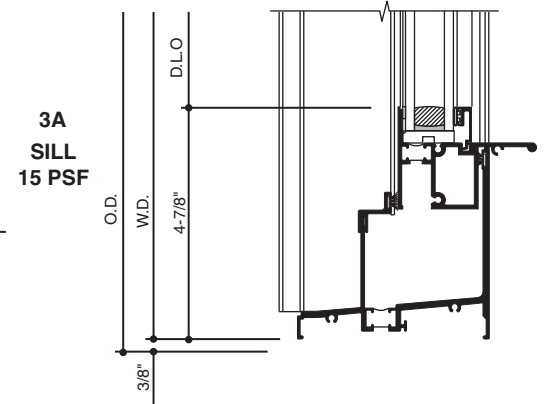
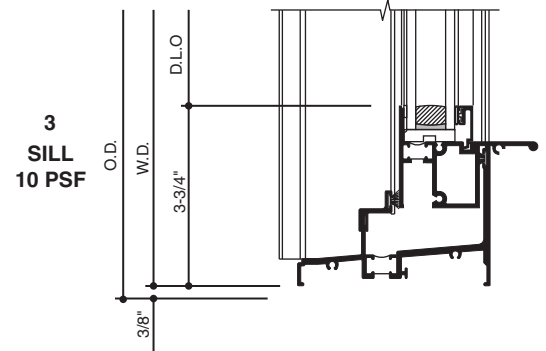
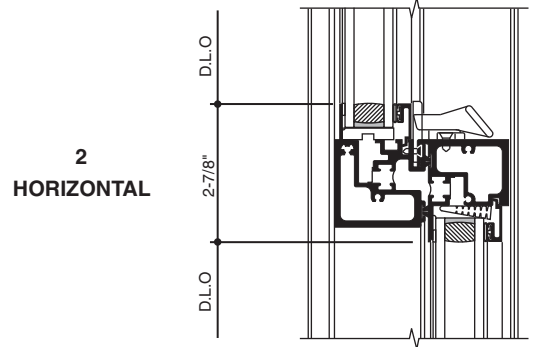
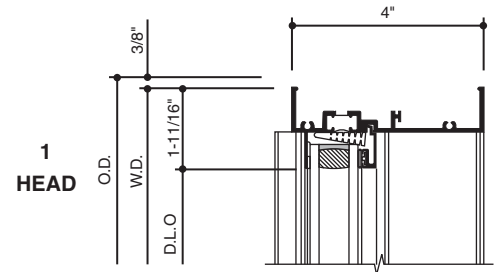
SCALE : 3" = 1'-0"

8430TL SINGLE HUNG WINDOW
 Standard Design



TYPICAL ELEVATION

Log onto www.kawneer.com for other configurations

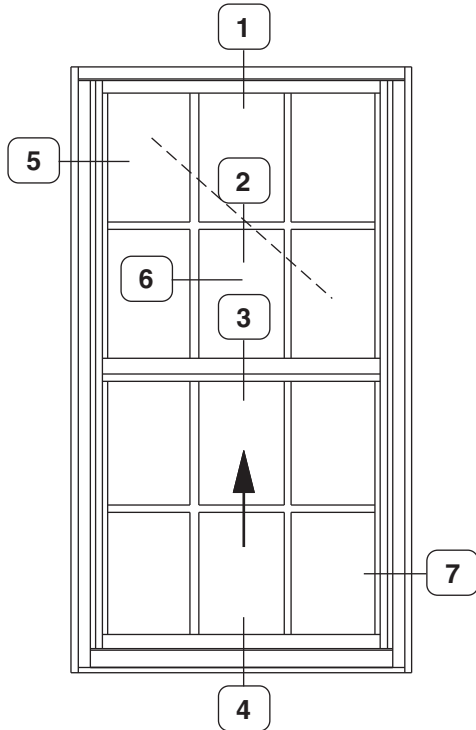


Laws and building and safety codes governing the design and use of glazed entrance, window, and curtain wall products vary widely. Kawneer does not control the selection of product configurations, operating hardware, or glazing materials, and assumes no responsibility therefor.

Kawneer reserves the right to change configuration without prior notice when deemed necessary for product improvement.
 © Kawneer Company, Inc., 2011

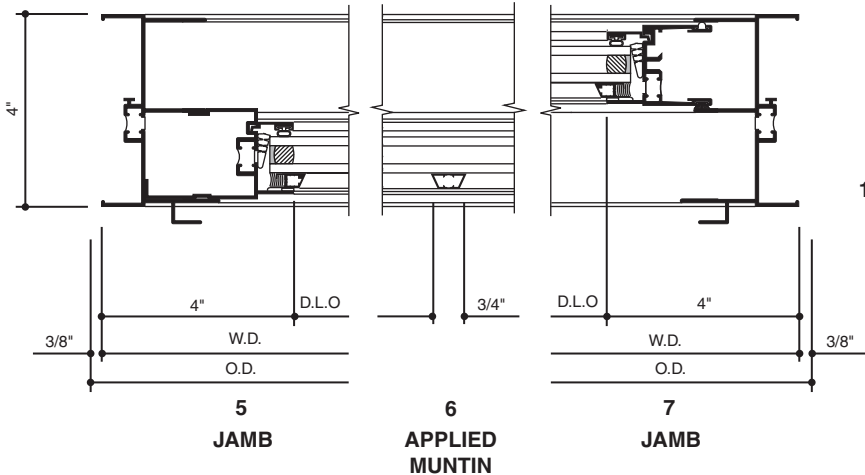
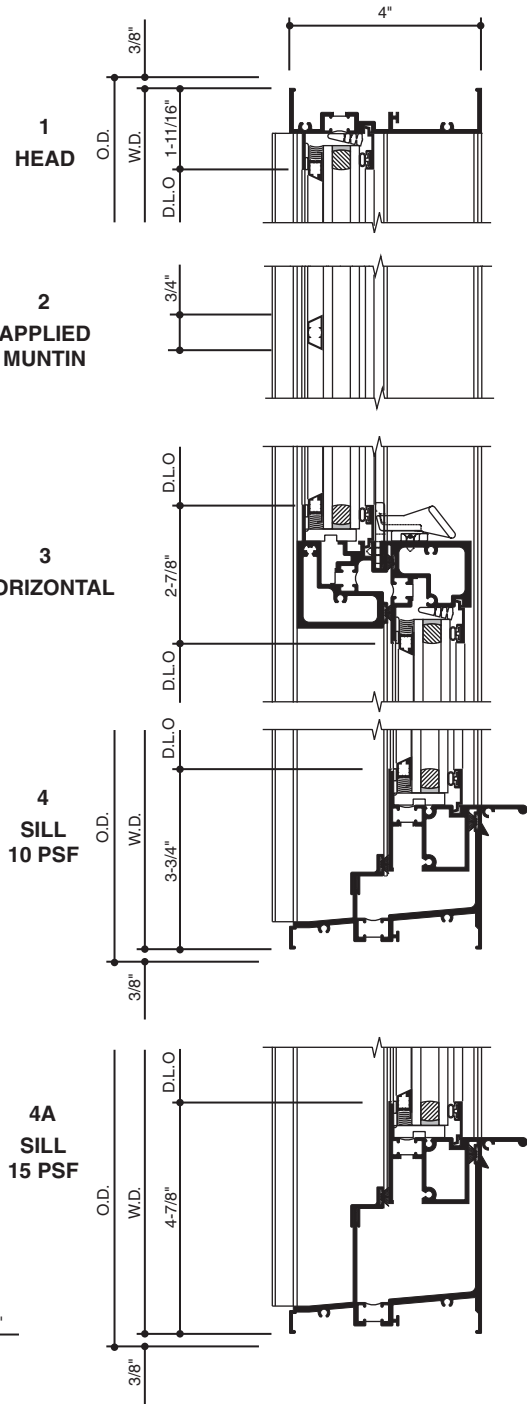
SCALE : 3" = 1'-0"

8430TL SINGLE HUNG WINDOW
with Glazed-in Muntin Grid



TYPICAL ELEVATION

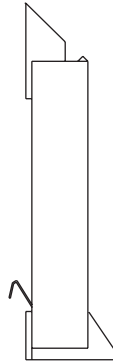
Log onto www.kawneer.com for other configurations



Laws and building and safety codes governing the design and use of glazed entrance, window, and curtain wall products vary widely. Kawneer does not control the selection of product configurations, operating hardware, or glazing materials, and assumes no responsibility therefor.

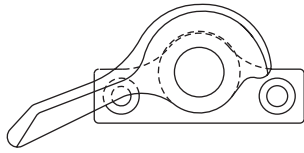
Kawneer reserves the right to change configuration without prior notice when deemed necessary for product improvement.
© Kawneer Company, Inc., 2011

**HEAVY DUTY
BLOCK AND TACKLE
BALANCES**



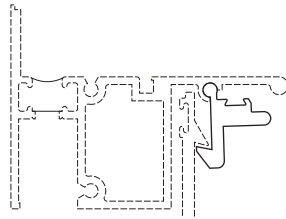
Heavy duty balances are concealed in the left and right jambs. Balances are sized according to sash dimensions and sash weight.

**STANDARD
SWEEP LOCK**



Cast white bronze sweep locks and keepers secure the operating sash at the center meeting rails.

**ALUMINUM
AUTO LOCK**



Aluminum auto locks are integral to the sash lift rail and used in lieu of cast white bronze auto locks. These locks are used in conjunction with sweep locks for additional security.

Laws and building and safety codes governing the design and use of glazed entrance, window, and curtain wall products vary widely. Kawneer does not control the selection of product configurations, operating hardware, or glazing materials, and assumes no responsibility therefor.

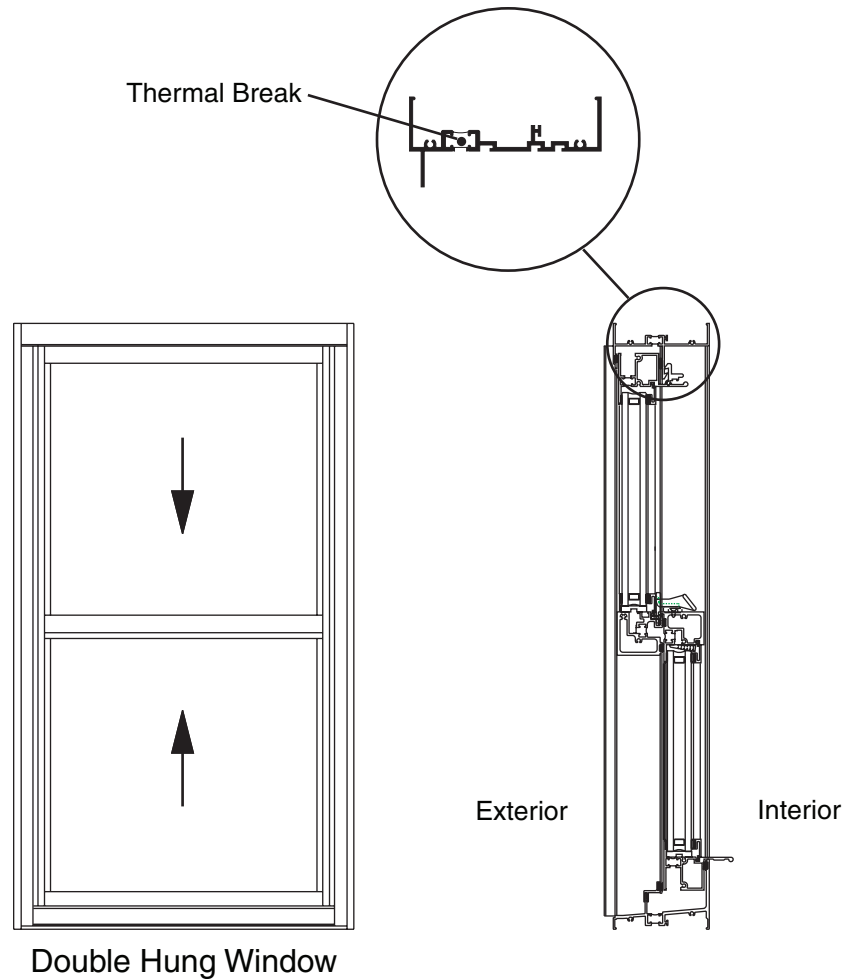
Kawneer reserves the right to change configuration without prior notice when deemed necessary for product improvement.
© Kawneer Company, Inc., 2011

Laws and building and safety codes governing the design and use of glazed entrance, window, and curtain wall products vary widely. Kawneer does not control the selection of product configurations, operating hardware, or glazing materials, and assumes no responsibility therefor.

Kawneer reserves the right to change configuration without prior notice when deemed necessary for product improvement.
© Kawneer Company, Inc., 2011

Standard Features

- Heavy Commercial Grade Window
- Series 8450TL Standard Design
- ISOLOCK® Thermal Break
- Screw and Spline Frame and Sash Corner Joinery
- Factory Silicone Glazed
- Interior Applied Glazing Bead with Bulb Gasket
- Architectural Anodized Finishes and Applied Coatings
- Two Year Manufacturer's Warranty



For specific product applications,
Consult your Kawneer representative.

CLASS and GRADE	Heavy Commercial Grade H-HC70 / H-AW70					
TESTING STANDARD	AAMA / WDMA / CSA 101 / I.S. 2 / A440-05					
FRAME DEPTH	4" Overall Frame Depth					
TYPICAL WALL THICKNESS	.070 Nominal					
TYPICAL MAXIMUM SIZE	60" x 99"					
TYPICAL MINIMUM SIZE	20" x 33"					
TYPICAL CONFIGURATIONS						
STANDARD INFILL OPTIONS	1/4", 3/4" with Glazed-in Muntin Grid, and 1"					
STANDARD HARDWARE	Heavy Duty Balances Cast White Bronze Sweep Locks Aluminum Auto Lock (Upper Sash Only)					
OPTIONAL HARDWARE	Aluminum Auto Lock at Sill					
OTHER OPTIONS	Exterior Glazed-in Muntin Grids Perimeters and Sills Exterior Pannings and Interior Trims True Intermediate Mullions Structural Mullions Vertically or Horizontally Stacked Sill for 10 PSF or 15 PSF Water Performance Insect Screens					
PERFORMANCE	Air Infiltration Cfm/ft ²	Water Resistance PSF	Design Load PSF	Thermal Transmittance "U" Value	Condensation Resistance CRF	Sound Transmittance STC
	.30 @ 6.24 psf	10 / 15	70	.74	50	33

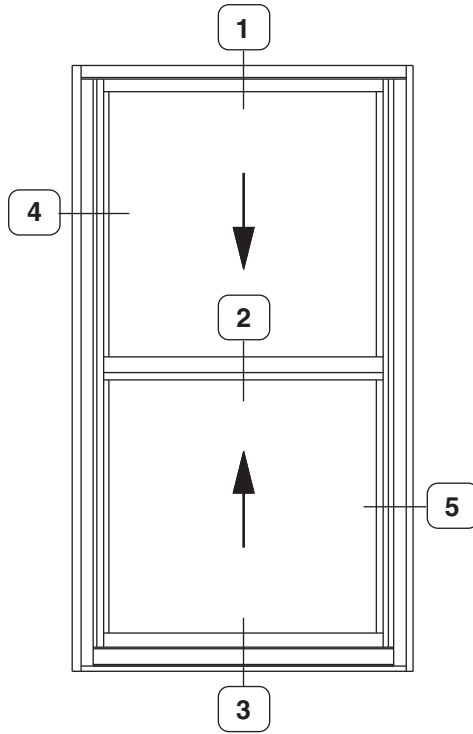
Note: Thermal and STC values are based upon 1" clear insulating glass.

Laws and building and safety codes governing the design and use of glazed entrance, window, and curtain wall products vary widely. Kawneer does not control the selection of product configurations, operating hardware, or glazing materials, and assumes no responsibility therefor.

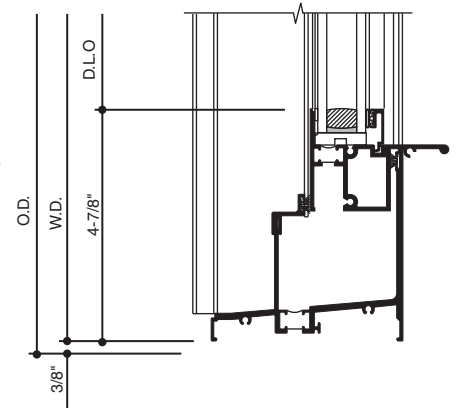
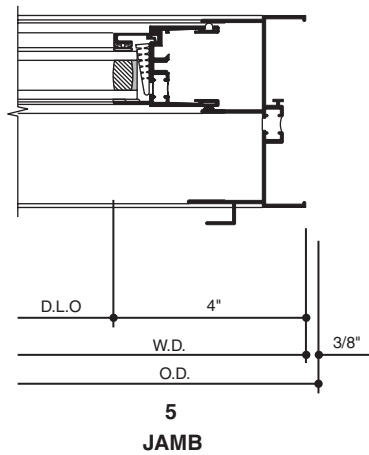
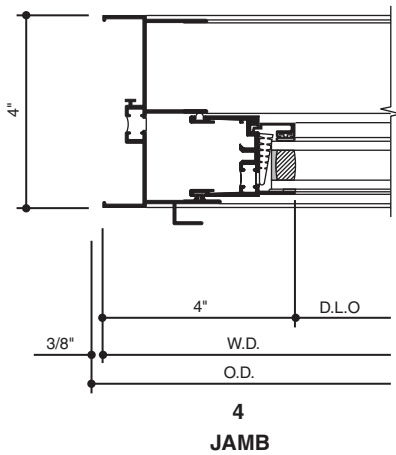
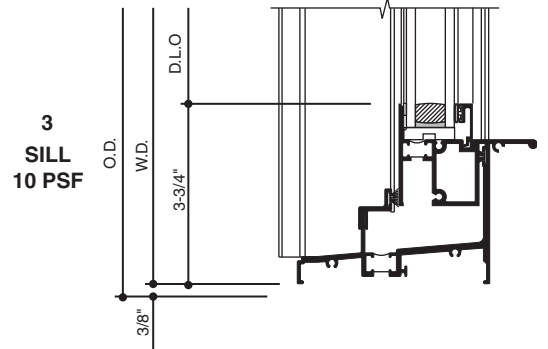
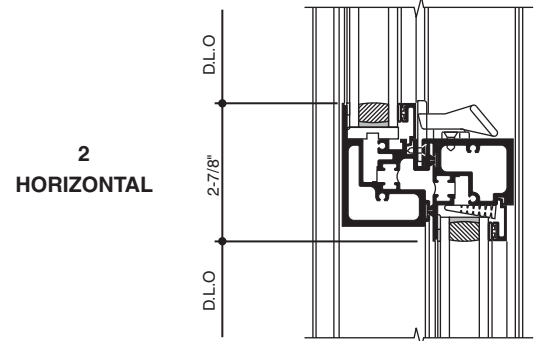
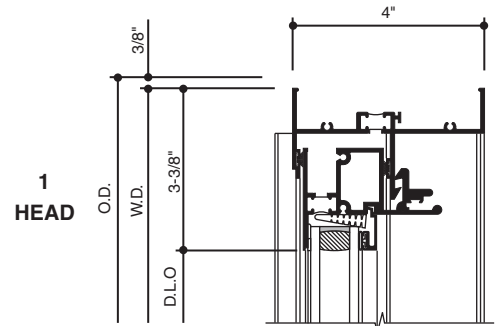
Kawneer reserves the right to change configuration without prior notice when deemed necessary for product improvement.
© Kawneer Company, Inc., 2011

SCALE : 3" = 1'-0"

8450TL DOUBLE HUNG WINDOW
Standard Design



TYPICAL ELEVATION
Log onto www.kawneer.com for other configurations

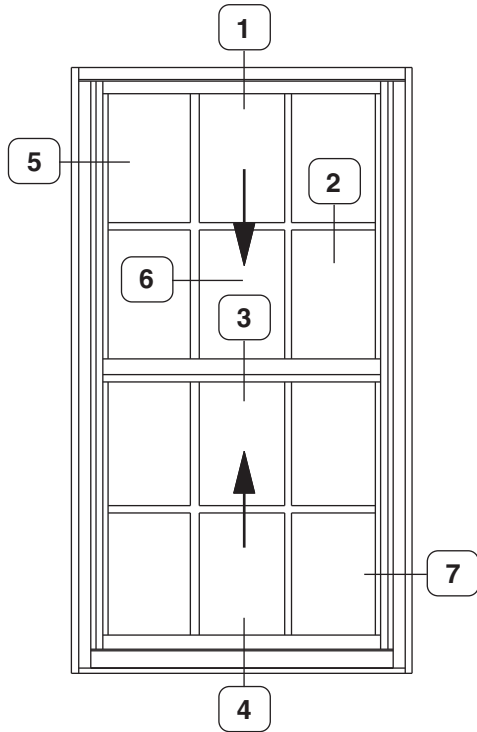


Laws and building and safety codes governing the design and use of glazed entrance, window, and curtain wall products vary widely. Kawneer does not control the selection of product configurations, operating hardware, or glazing materials, and assumes no responsibility therefor.

Kawneer reserves the right to change configuration without prior notice when deemed necessary for product improvement.
© Kawneer Company, Inc., 2011

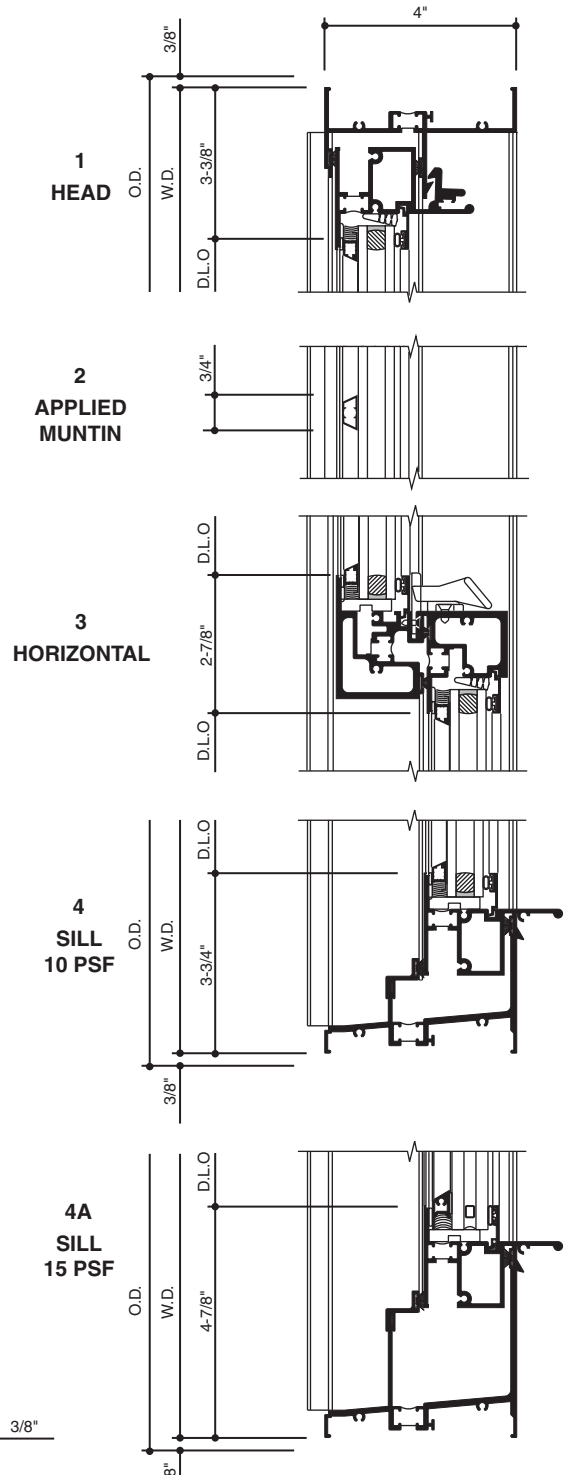
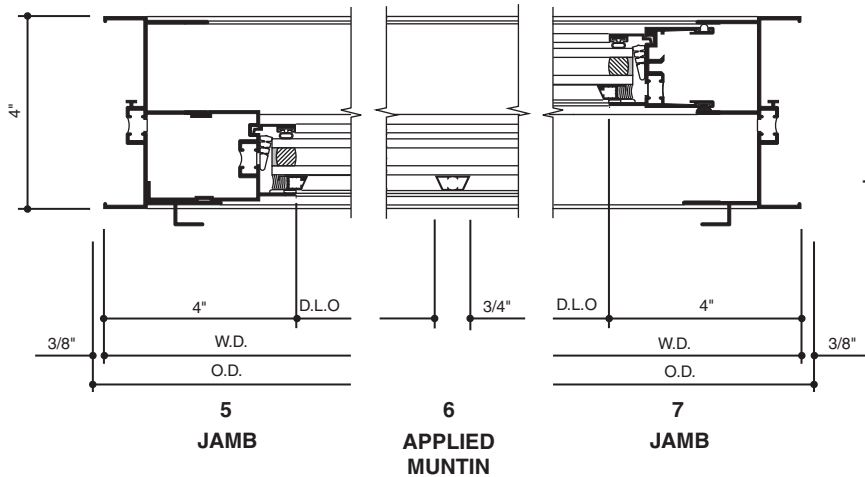
SCALE : 3" = 1'-0"

8450TL DOUBLE HUNG WINDOW
with Glazed-in Muntin Grid



TYPICAL ELEVATION

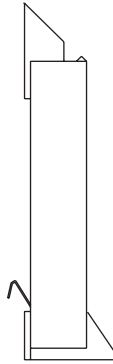
Log onto www.kawneer.com for other configurations



Laws and building and safety codes governing the design and use of glazed entrance, window, and curtain wall products vary widely. Kawneer does not control the selection of product configurations, operating hardware, or glazing materials, and assumes no responsibility therefor.

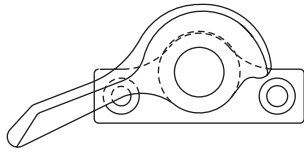
Kawneer reserves the right to change configuration without prior notice when deemed necessary for product improvement.
© Kawneer Company, Inc., 2011

**HEAVY DUTY
BLOCK AND TACKLE
BALANCES**



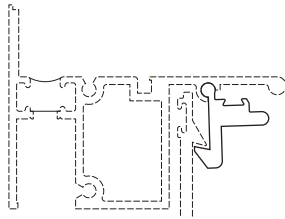
Heavy duty balances are concealed in the left and right jambs. Balances are sized according to sash dimensions and sash weight.

**STANDARD
SWEEP LOCK**



Cast white bronze sweep locks and keepers secure the operating sash at the center meeting rails.

**ALUMINUM
AUTO LOCK**



Aluminum auto locks are integral to the sash lift rail and used in lieu of cast white bronze auto locks. These locks are used in conjunction with sweep locks for additional security.

Laws and building and safety codes governing the design and use of glazed entrance, window, and curtain wall products vary widely. Kawneer does not control the selection of product configurations, operating hardware, or glazing materials, and assumes no responsibility therefor.

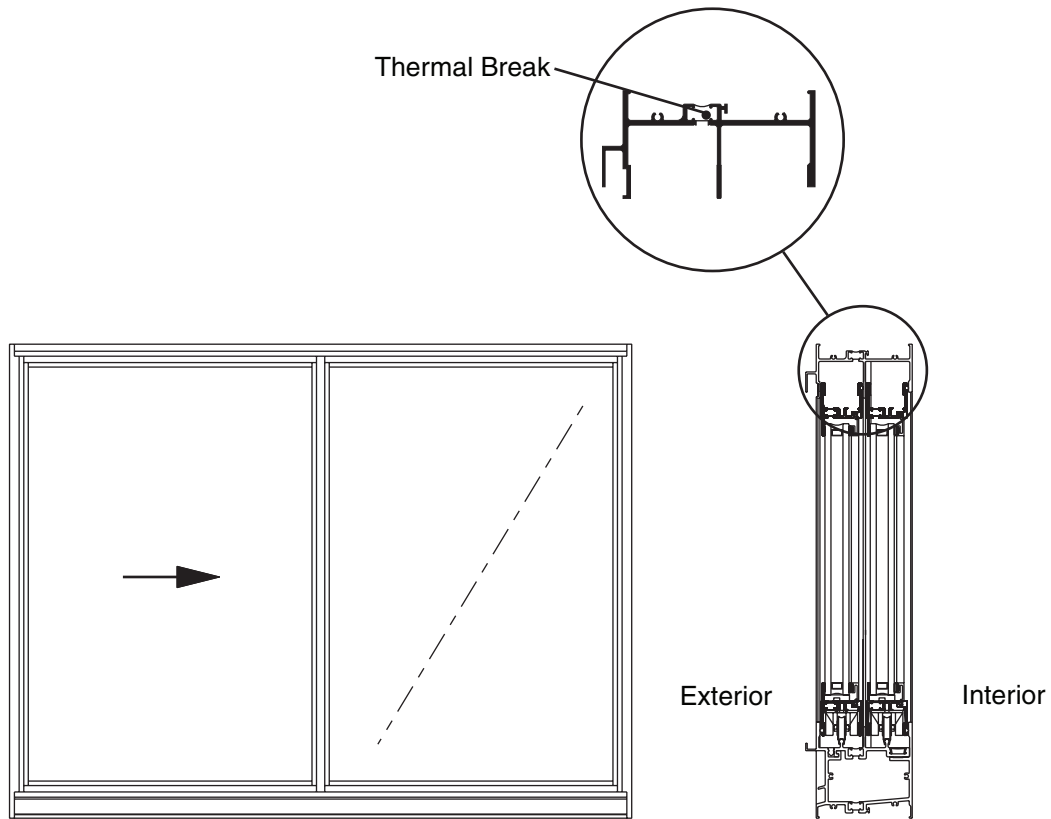
Kawneer reserves the right to change configuration without prior notice when deemed necessary for product improvement.
© Kawneer Company, Inc., 2011

Laws and building and safety codes governing the design and use of glazed entrance, window, and curtain wall products vary widely. Kawneer does not control the selection of product configurations, operating hardware, or glazing materials, and assumes no responsibility therefor.

Kawneer reserves the right to change configuration without prior notice when deemed necessary for product improvement.
© Kawneer Company, Inc., 2011

Standard Features

- Heavy Commercial Grade Window
- Series 8470TL Standard Design
- ISOLOCK® Thermal Break
- Screw and Spline Frame and Sash Corner Joinery
- Factory Silicone Glazed
- Interior Applied Glazing Bead with Bulb Gasket
- Architectural Anodized Finishes and Applied Coatings
- Two Year Manufacturer's Warranty

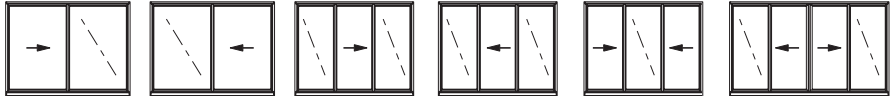


Horizontal Sliding Window

For specific product applications,
Consult your Kawneer representative.

Laws and building and safety codes governing the design and use of glazed entrance, window, and curtain wall products vary widely. Kawneer does not control the selection of product configurations, operating hardware, or glazing materials, and assumes no responsibility therefor.

Kawneer reserves the right to change configuration without prior notice when deemed necessary for product improvement.
© Kawneer Company, Inc., 2011

CLASS and GRADE	Heavy Commercial Grade HS-HC70 / HS-AW70					
TESTING STANDARD	AAMA / WDMA / CSA 101 / I.S. 2 / A440-05					
FRAME DEPTH	4" Overall Frame Depth					
TYPICAL WALL THICKNESS	.070 to .125 Nominal					
TYPICAL MAXIMUM SIZE	99" x 79" (OX,XO,XX) 148" x 79" (OXO,XOX) 198" x 79" (OXXO)					
TYPICAL MINIMUM SIZE	32" x 20" (OX,XO,XX) 48" x 20" (OXO,XOX) 64" x 20" (OXXO)					
TYPICAL CONFIGURATIONS						
STANDARD INFILL OPTIONS	1/4", 3/4" with Glazed-in Muntin Grid, and 1"					
STANDARD HARDWARE	Steel Roller Assembly Cast White Bronze Sweep Locks					
OPTIONAL HARDWARE	Aluminum Auto Lock					
OTHER OPTIONS	Exterior Glazed-in Muntin Grids Perimeters and Sills Exterior Pannings and Interior Trims True Intermediate Mullions Structural Mullions Vertically or Horizontally Stacked Sill for 10 PSF or 15 PSF Water Performance Insect Screens Standard and Heavy Duty Interlock					
PERFORMANCE	Air Infiltration Cfm/ft ²	Water Resistance PSF	Design Load PSF	Thermal Transmittance "U" Value	Condensation Resistance CRF	Sound Transmittance STC
	.30 @ 6.24 psf	10 / 15	70	.74	51	34

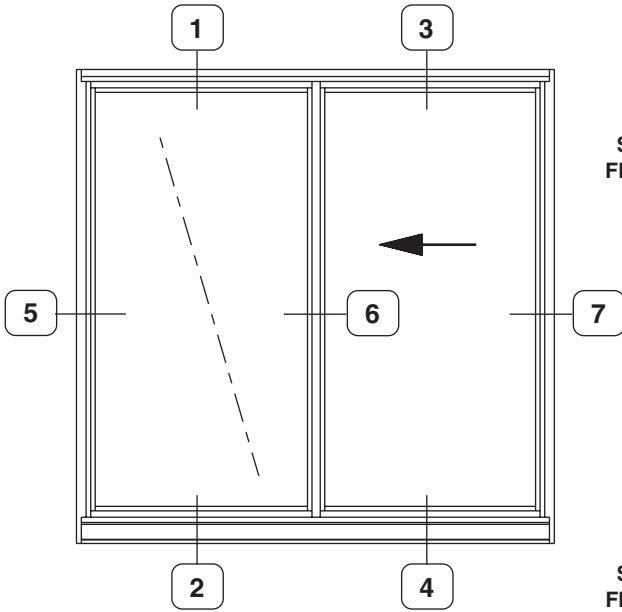
Note: Thermal and STC values are based upon 1" clear insulating glass.

Laws and building and safety codes governing the design and use of glazed entrance, window, and curtain wall products vary widely. Kawneer does not control the selection of product configurations, operating hardware, or glazing materials, and assumes no responsibility therefor.

Kawneer reserves the right to change configuration without prior notice when deemed necessary for product improvement.
© Kawneer Company, Inc., 2011

SCALE : 3" = 1'-0"

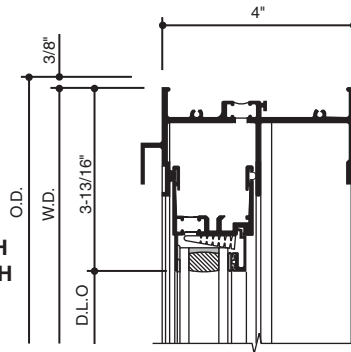
8470TL HORIZONTAL SLIDER
 Standard Design



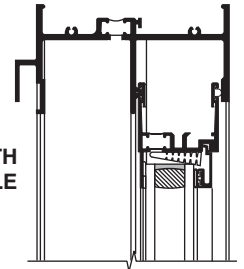
TYPICAL ELEVATION

Log onto www.kawneer.com for other configurations

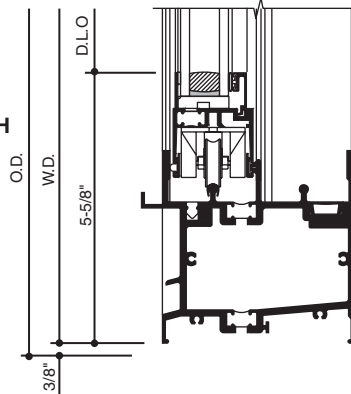
1
 HEAD WITH
 FIXED SASH



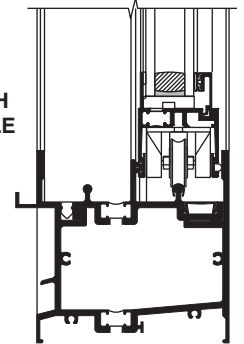
3
 HEAD WITH
 OPERABLE
 SASH



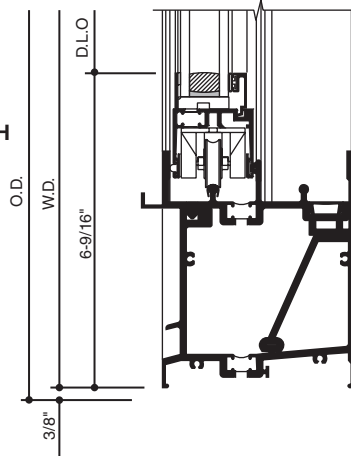
2
 SILL WITH
 FIXED SASH
 (10 PSF)



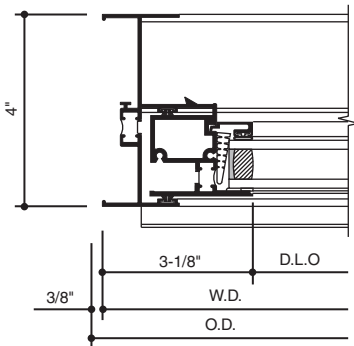
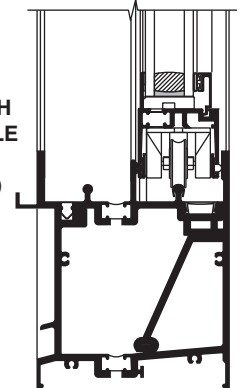
4
 SILL WITH
 OPERABLE
 SASH
 (10 PSF)



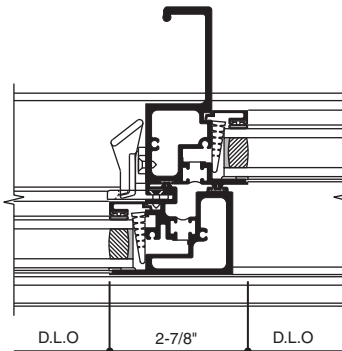
2A
 SILL WITH
 FIXED SASH
 (15 PSF)



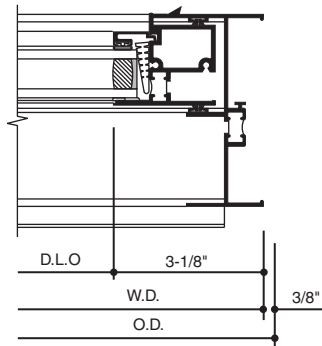
4A
 SILL WITH
 OPERABLE
 SASH
 (15 PSF)



5
 FIXED SASH
 JAMB



6
 INTERLOCK



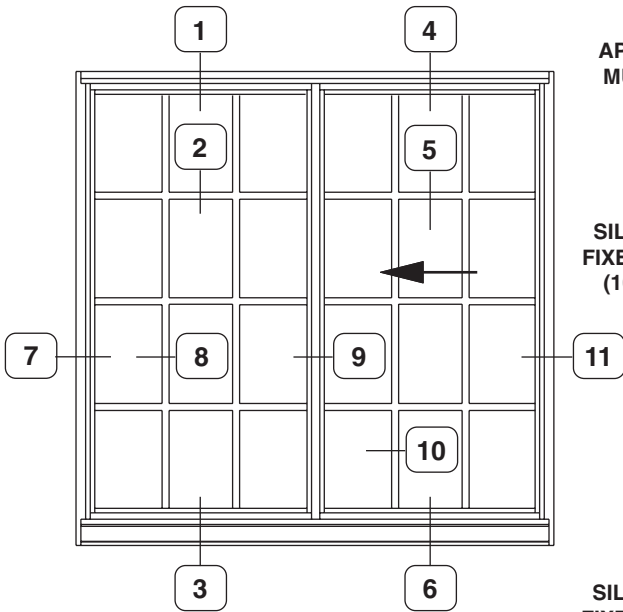
7
 OPERABLE SASH
 JAMB

Laws and building and safety codes governing the design and use of glazed entrance, window, and curtain wall products vary widely. Kawneer does not control the selection of product configurations, operating hardware, or glazing materials, and assumes no responsibility therefor.

Kawneer reserves the right to change configuration without prior notice when deemed necessary for product improvement.
 © Kawneer Company, Inc., 2011

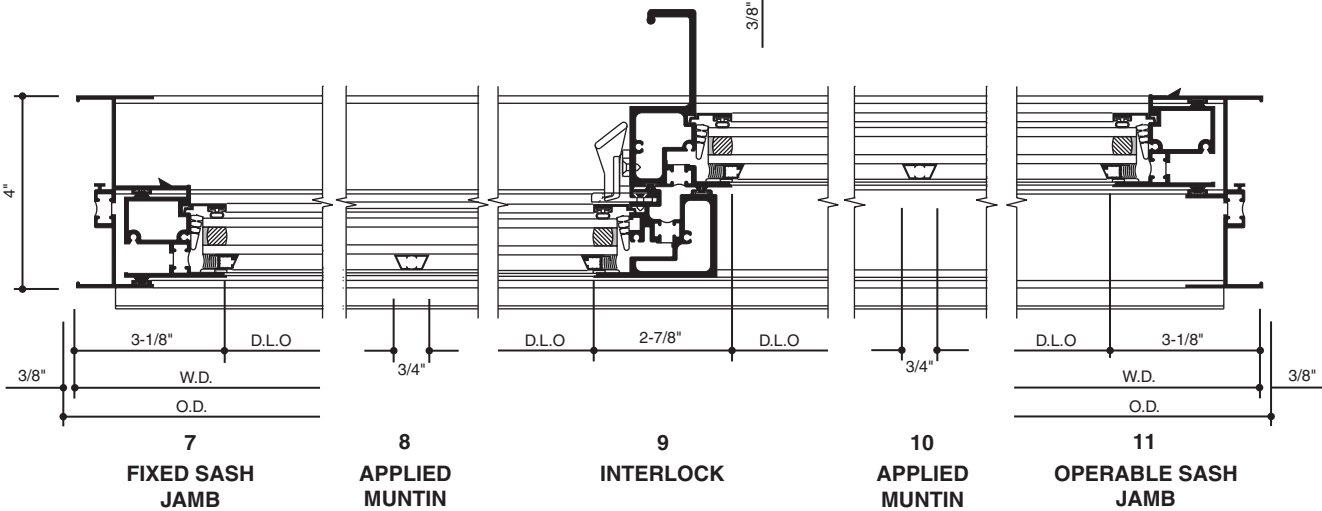
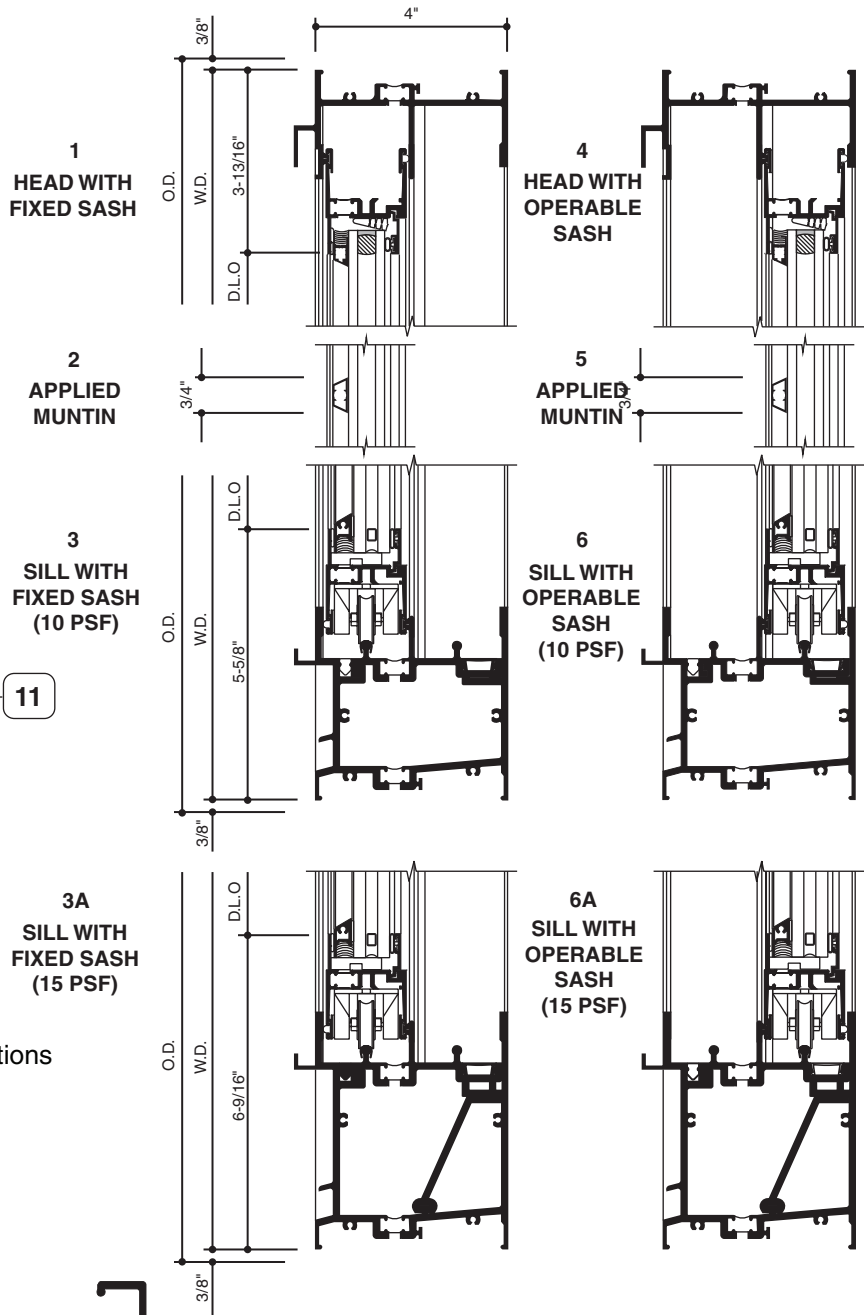
SCALE : 3" = 1'-0"

8470TL HORIZONTAL SLIDER with Glazed-in Muntin Grid



TYPICAL ELEVATION

Log onto www.kawneer.com for other configurations

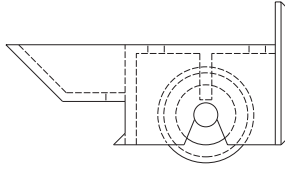


Laws and building and safety codes governing the design and use of glazed entrance, window, and curtain wall products vary widely. Kawneer does not control the selection of product configurations, operating hardware, or glazing materials, and assumes no responsibility therefor.

Kawneer reserves the right to change configuration without prior notice when deemed necessary for product improvement.
© Kawneer Company, Inc., 2011

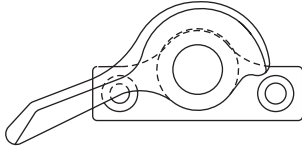
STEEL ROLLER ASSEMBLY

Steel ball bearing roller and glass filled nylon housing provide smooth and lasting operation.



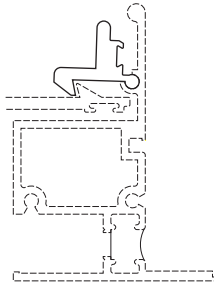
STANDARD SWEEP LOCK

Cast white bronze sweep locks and keepers secure the operating sash at the center meeting rails.



ALUMINUM AUTO LOCK

Aluminum auto locks are integral to the handle rail. These locks are used in conjunction with sweep locks for additional security.



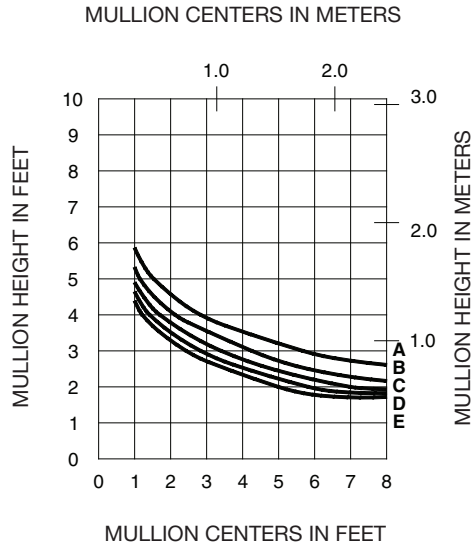
Laws and building and safety codes governing the design and use of glazed entrance, window, and curtain wall products vary widely. Kawneer does not control the selection of product configurations, operating hardware, or glazing materials, and assumes no responsibility therefor.

Kawneer reserves the right to change configuration without prior notice when deemed necessary for product improvement.
© Kawneer Company, Inc., 2011

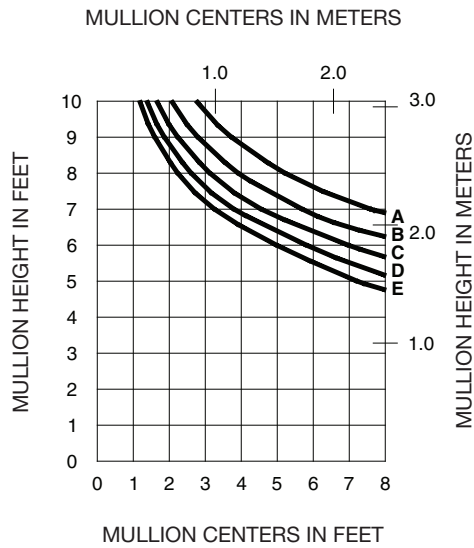
WIND LOAD CHARTS:

THESE CHARTS ARE BASED ON A MAXIMUM DEFLECTION OF L\175 AND/OR A MAXIMUM STRESS OF 15,152 PSI (104 MPa).

- A = 30 PSF (1436)
- B = 40 PSF (1915)
- C = 50 PSF (2394)
- D = 60 PSF (2874)
- E = 70 PSF (3352)



WITH HORIZONTALS

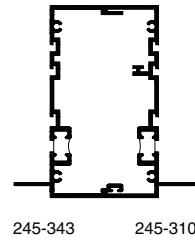


WITH HORIZONTALS

VERTICAL MULLION



**8410
FIXED WINDOW**



Laws and building and safety codes governing the design and use of glazed entrance, window, and curtain wall products vary widely. Kawneer does not control the selection of product configurations, operating hardware, or glazing materials, and assumes no responsibility therefor.

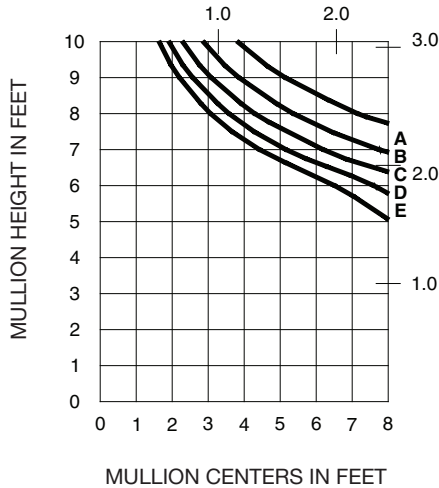
Kawneer reserves the right to change configuration without prior notice when deemed necessary for product improvement.
© Kawneer Company, Inc., 2011

WIND LOAD CHARTS:

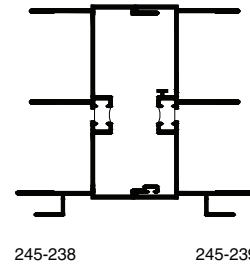
THESE CHARTS ARE BASED ON A MAXIMUM DEFLECTION OF L\175 AND/OR A MAXIMUM STRESS OF 15,152 PSI (104 MPa).

- A = 30 PSF (1436)
- B = 40 PSF (1915)
- C = 50 PSF (2394)
- D = 60 PSF (2874)
- E = 70 PSF (3352)

MULLION CENTERS IN METERS

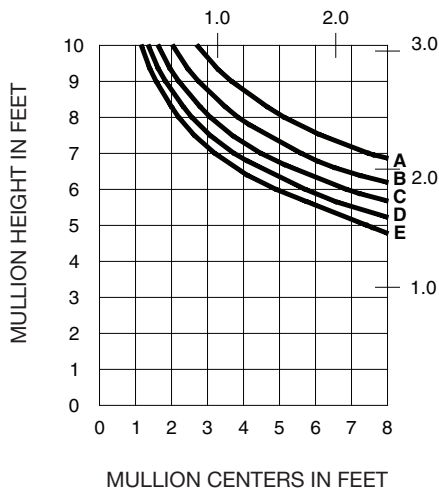


8430 SINGLE HUNG
8450 DOUBLE HUNG

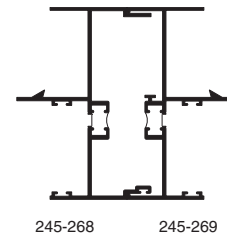


WITH HORIZONTALS

MULLION CENTERS IN METERS



8470
HORIZONTAL SLIDER



WITH HORIZONTALS

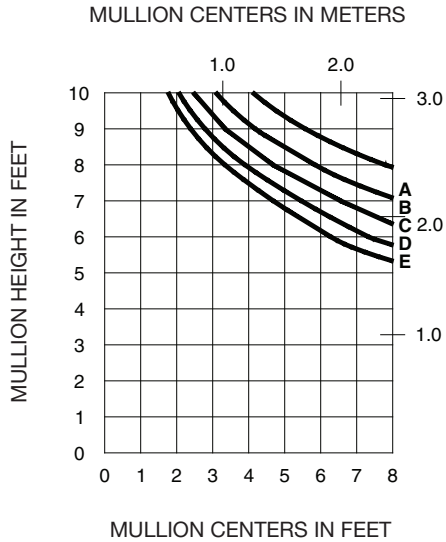
Laws and building and safety codes governing the design and use of glazed entrance, window, and curtain wall products vary widely. Kawneer does not control the selection of product configurations, operating hardware, or glazing materials, and assumes no responsibility therefor.

Kawneer reserves the right to change configuration without prior notice when deemed necessary for product improvement.
© Kawneer Company, Inc., 2011

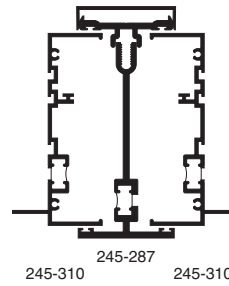
WIND LOAD CHARTS:

THESE CHARTS ARE BASED ON A MAXIMUM DEFLECTION OF L/175 AND/OR A MAXIMUM STRESS OF 15,152 PSI (104 MPa).

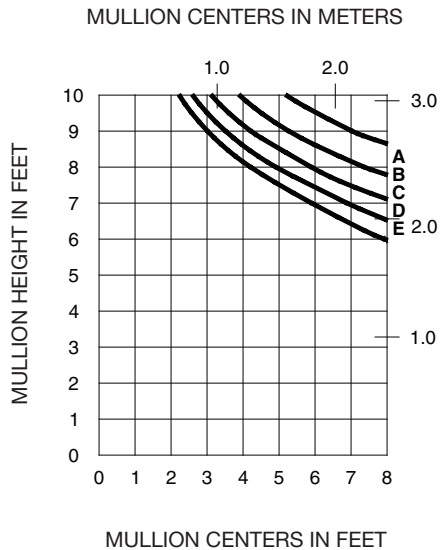
- A = 30 PSF (1436)
- B = 40 PSF (1915)
- C = 50 PSF (2394)
- D = 60 PSF (2874)
- E = 70 PSF (3352)



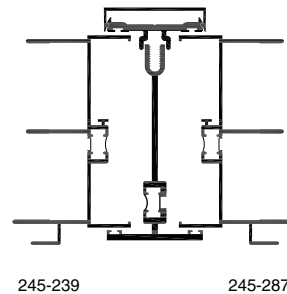
8410 FIXED WINDOW



WITH HORIZONTALS



**8430 SINGLE HUNG
8450 DOUBLE HUNG**



WITH HORIZONTALS

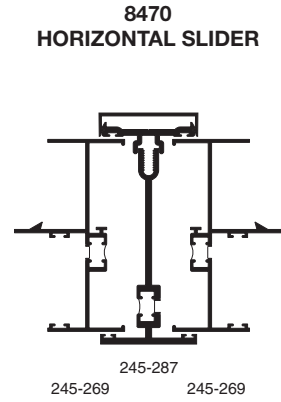
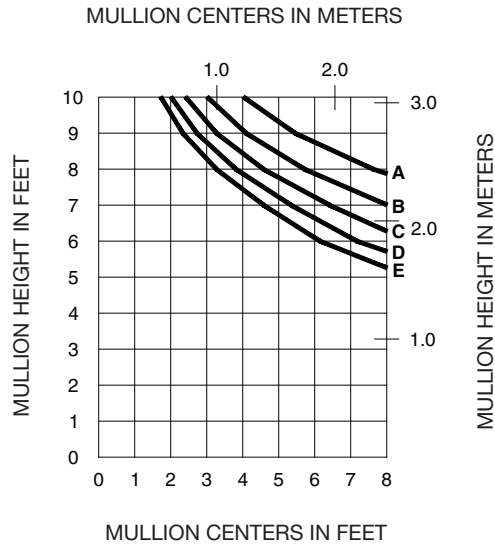
Laws and building and safety codes governing the design and use of glazed entrance, window, and curtain wall products vary widely. Kawneer does not control the selection of product configurations, operating hardware, or glazing materials, and assumes no responsibility therefor.

Kawneer reserves the right to change configuration without prior notice when deemed necessary for product improvement.
© Kawneer Company, Inc., 2011

WIND LOAD CHARTS:

THESE CHARTS ARE BASED ON A MAXIMUM DEFLECTION OF L\175 AND/OR A MAXIMUM STRESS OF 15,152 PSI (104 MPa).

- A = 30 PSF (1436)
- B = 40 PSF (1915)
- C = 50 PSF (2394)
- D = 60 PSF (2874)
- E = 70 PSF (3352)

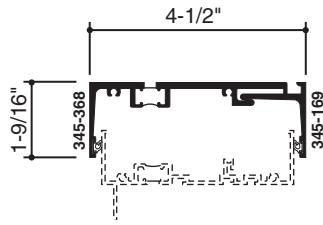


WITH HORIZONTALS

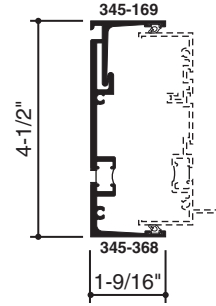
Laws and building and safety codes governing the design and use of glazed entrance, window, and curtain wall products vary widely. Kawneer does not control the selection of product configurations, operating hardware, or glazing materials, and assumes no responsibility therefor.

Kawneer reserves the right to change configuration without prior notice when deemed necessary for product improvement.
© Kawneer Company, Inc., 2011

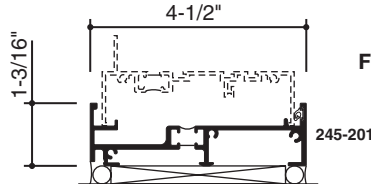
SCALE : 3" = 1'-0"



HEAD RECEPTOR

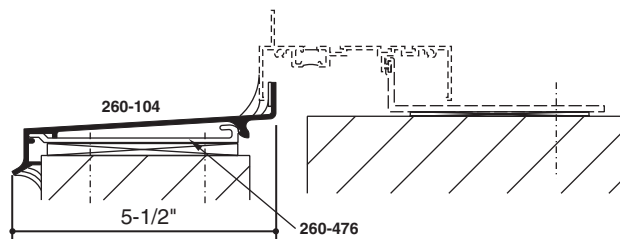
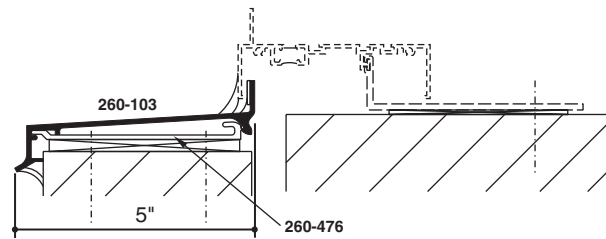
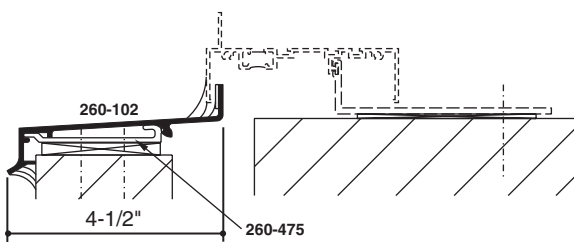
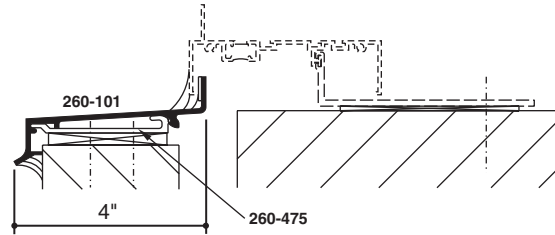
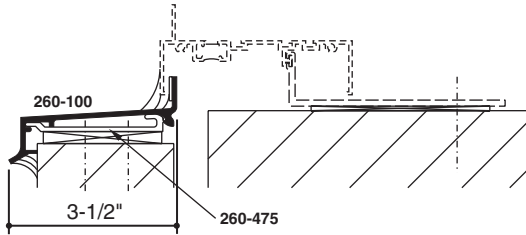


JAMB RECEPTOR



FULL DEPTH SILL

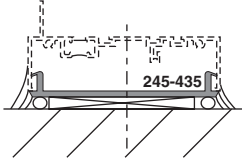
SUB SILLS



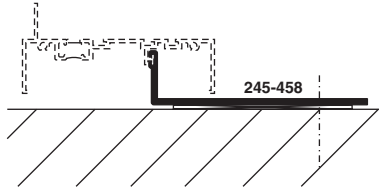
Laws and building and safety codes governing the design and use of glazed entrance, window, and curtain wall products vary widely. Kawneer does not control the selection of product configurations, operating hardware, or glazing materials, and assumes no responsibility therefor.

Kawneer reserves the right to change configuration without prior notice when deemed necessary for product improvement.
© Kawneer Company, Inc., 2011

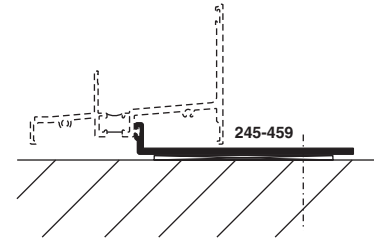
SCALE : 3" = 1'-0"



PVC PERIMETER
(Head and Jamb Similar)



STRAP ANCHOR
WITH FIXED WINDOW



STRAP ANCHOR
WITH HUNG WINDOW

Laws and building and safety codes governing the design and use of glazed entrance, window, and curtain wall products vary widely. Kawneer does not control the selection of product configurations, operating hardware, or glazing materials, and assumes no responsibility therefor.

Kawneer reserves the right to change configuration without prior notice when deemed necessary for product improvement.
© Kawneer Company, Inc., 2011

Laws and building and safety codes governing the design and use of glazed entrance, window, and curtain wall products vary widely. Kawneer does not control the selection of product configurations, operating hardware, or glazing materials, and assumes no responsibility therefor.

Kawneer reserves the right to change configuration without prior notice when deemed necessary for product improvement.
© Kawneer Company, Inc., 2011