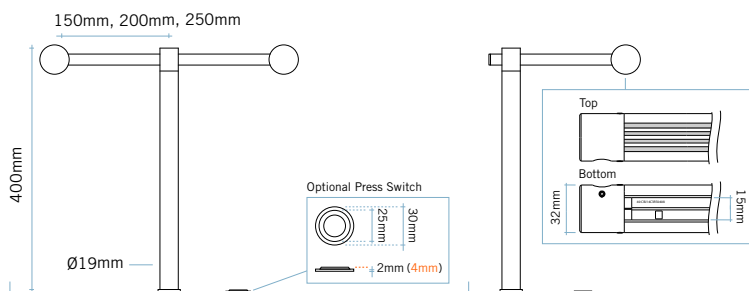


# b-line LED <sup>1by1</sup>/<sub>2by2</sub> desk



**b-line/LED/2by2** - section view  
Linear LED  
PMMA Diffuser  
White 3000°K  
Cool White 4000°K

**b-line/LED/1by1** - section view



b-line/LED top detail - satin stainless steel effect

## B-LINE/LED/1BY1 /2BY2

Design: Aktiva, 2012



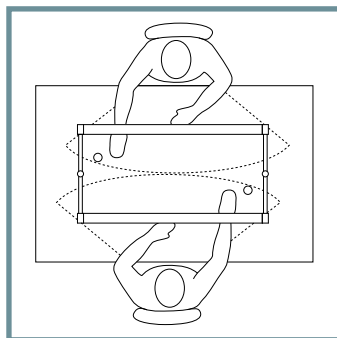
b-line/LED/1by1



b-line/LED/2by2



b-line/LED/desk lens detail - brushed stainless steel effect



Remote switch positions - plan view

One-sided or two-sided high performance slim  $\varnothing 32\text{mm}$  LED fitting for reading room, office and library desk applications. Features include facility to join b-line in multiples, lockable shade adjustment, 3000°K & 4000°K colour temperature options.

### LED

Linear LED producing 121 lumens per Watt\* with standard PMMA diffuser. Available in White 3000°K & Cool White 4000°K. LED CRI: 82 - 84.

Length	Wattage	Voltage (d.c)	Total Luminous Output	
			3000°K	4000°K
670 mm	10.2 W	30 V	1128 lm	1240 lm
950 mm	15.3 W	45 V	1692 lm	1860 lm
1230 mm	20.4 W	60 V	2256 lm	2480 lm
1510 mm	25.5 W	75 V	2820 lm	3100 lm

\*based on 4000K LED at 350mA. 10% output decrease after 50,000 hrs. LED Boards running at  $t_c=45^\circ\text{C}$ .

### DRIVERS

akt/350-240-56V-C 670-950mm b-line/LED (350mA)  
Higher 350mA output available on application.

### OPTIONS

/1by1	One-sided fitting
/2by2	Two-sided fitting
/divide	frosted acrylic divider between upstands
/multiple	x2 x3 x4..... in continuous run
/press	remote on/off press switch
/support arms	length 150mm, 200mm, 250mm
/unit length	shade/s cut to special lengths
/w3	$\varnothing 30\text{mm}$ through panel fixing
/white LED	3000°K colour temperature
/white cool LED	4000°K colour temperature

For full fixing details see FIXINGS sheet

### FINISHES

Standard Coated: matt silver, white  
Standard Plated: brushed stainless steel effect, polished chrome  
Special finishes on request  
See FINISHES sheet for details



UCL Hub, Senate House London  
Burwell Deakins Architects

b-line/LED/2By2/Multiple/Divide



Wadham College Graduate Study Centre, Oxford/  
Lee-Fitzgerald Architects

b-line/2by2/bronze