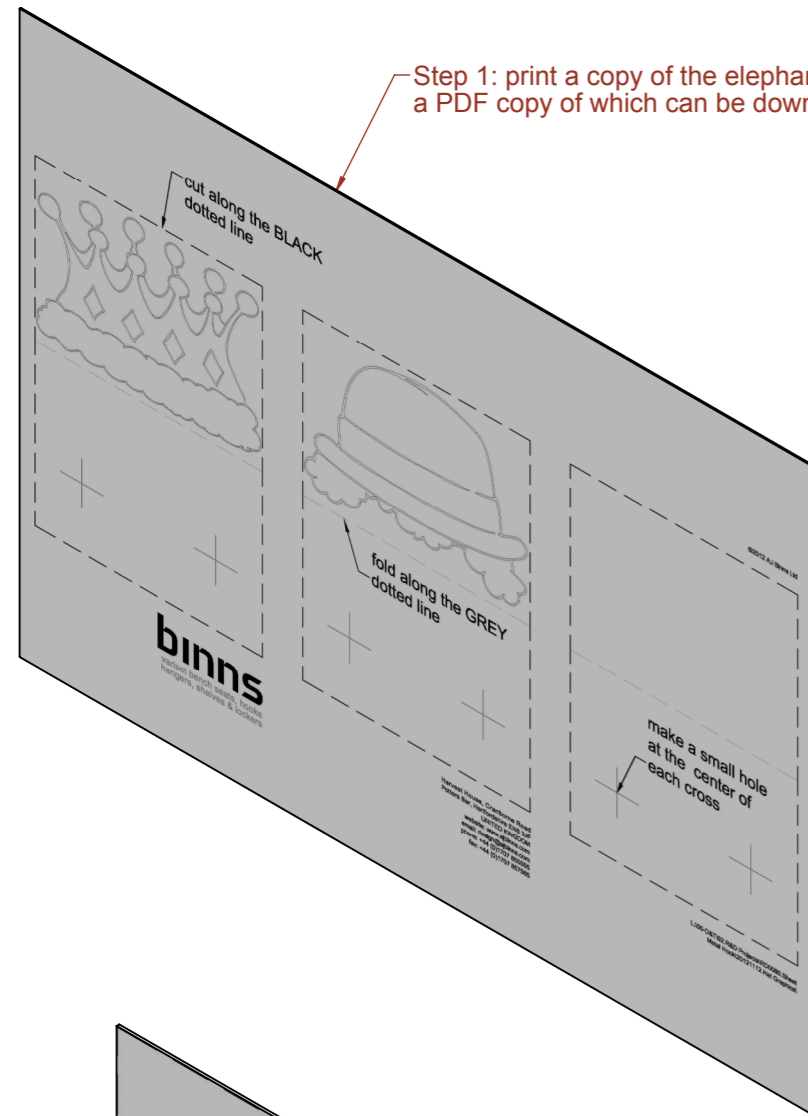
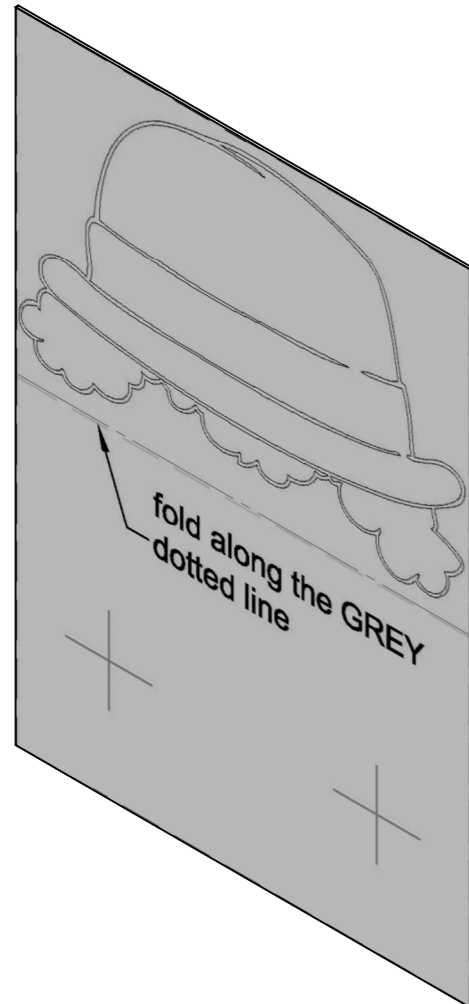


Part Revisions History		
REV.	DETAILS	DATE
A	first version	14/11/2012

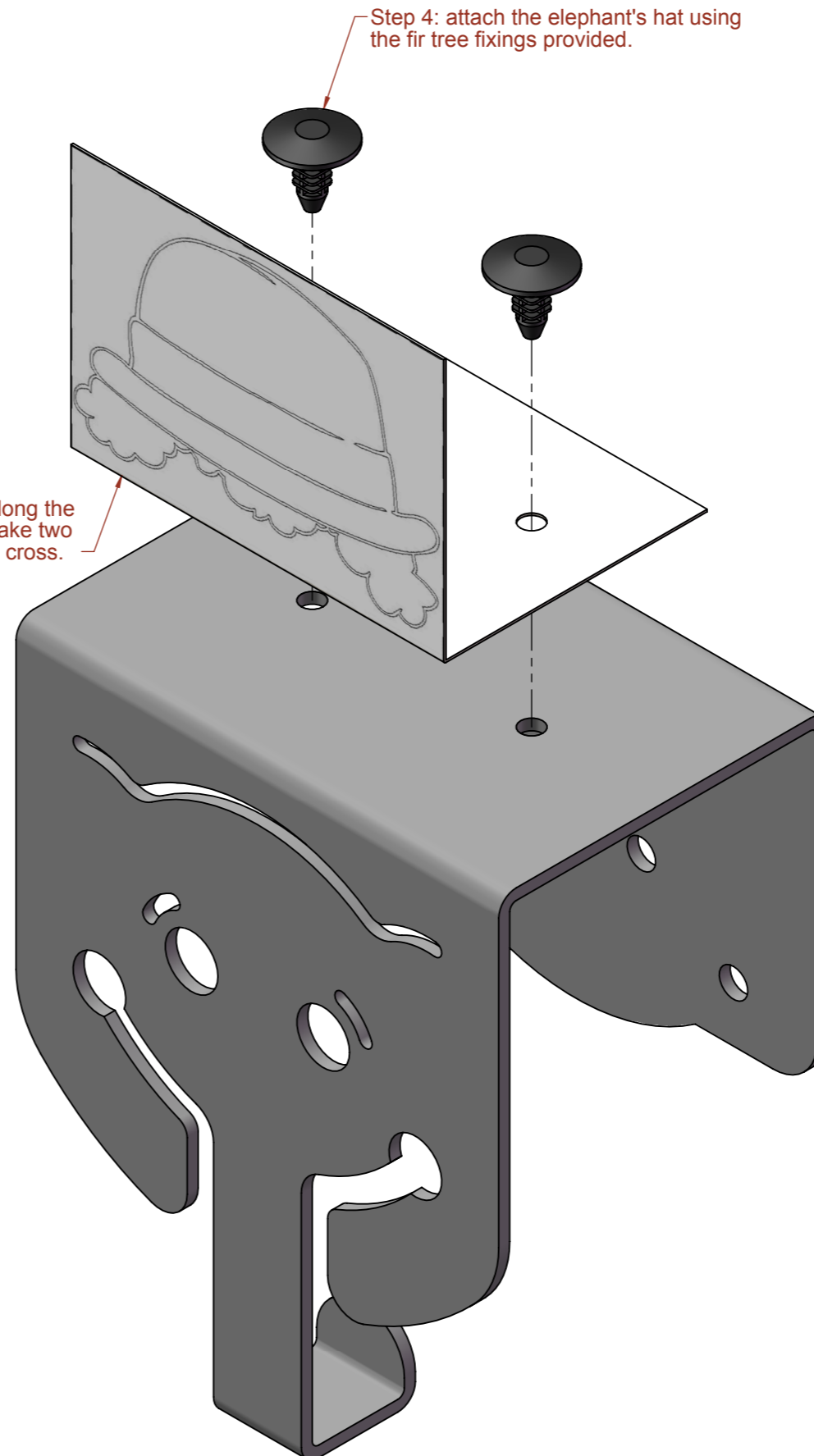


Step 1: print a copy of the elephant hook hat A4 template, a PDF copy of which can be downloaded from www.ajbinns.com/download

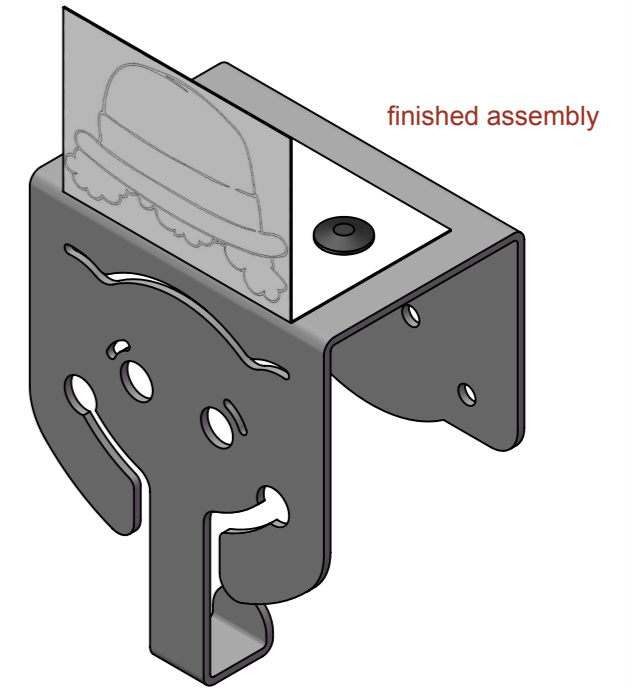


Step 2: cut out the hat you prefer, or design your own to fit into the blank, and stick to stiff cardboard.

Step 3: fold hat template along the dotted line and carefully make two holes at the centre of each cross.



Step 4: attach the elephant's hat using the fir tree fixings provided.



finished assembly

binns

variset bench seats, hooks
hangers, shelves & lockers

Harvest House, Cranborne Road
Potters Bar, Hertfordshire EN6 3JF
UNITED KINGDOM
website: www.ajbinns.com
email: design@ajbinns.com
phone: +44(0)1707 855555
fax: +44(0)1707 857565

binns reserve the copyright of this drawing which is not to be copied, reproduced or disclosed to third parties without written consent.

description
Elephant Hat Assembly Instructions

weight

...

material

...

finish

Check works order

tolerances

Dimensions in mm
See tolerance table

do not scale drawn by MJC checked by ...

Drawn to BS 8888  third angle projection

file location

file name
RD0080.Elephant Hat Assembly.RevA

part number . revision
RD0080.Elephant Hat Assembly.RevA

drawing number **issue**
RD0080.Elephant Hat Assembly.RevA-01

inspection dimensions