

OPERA DQ SL

Panic exit lock



Components

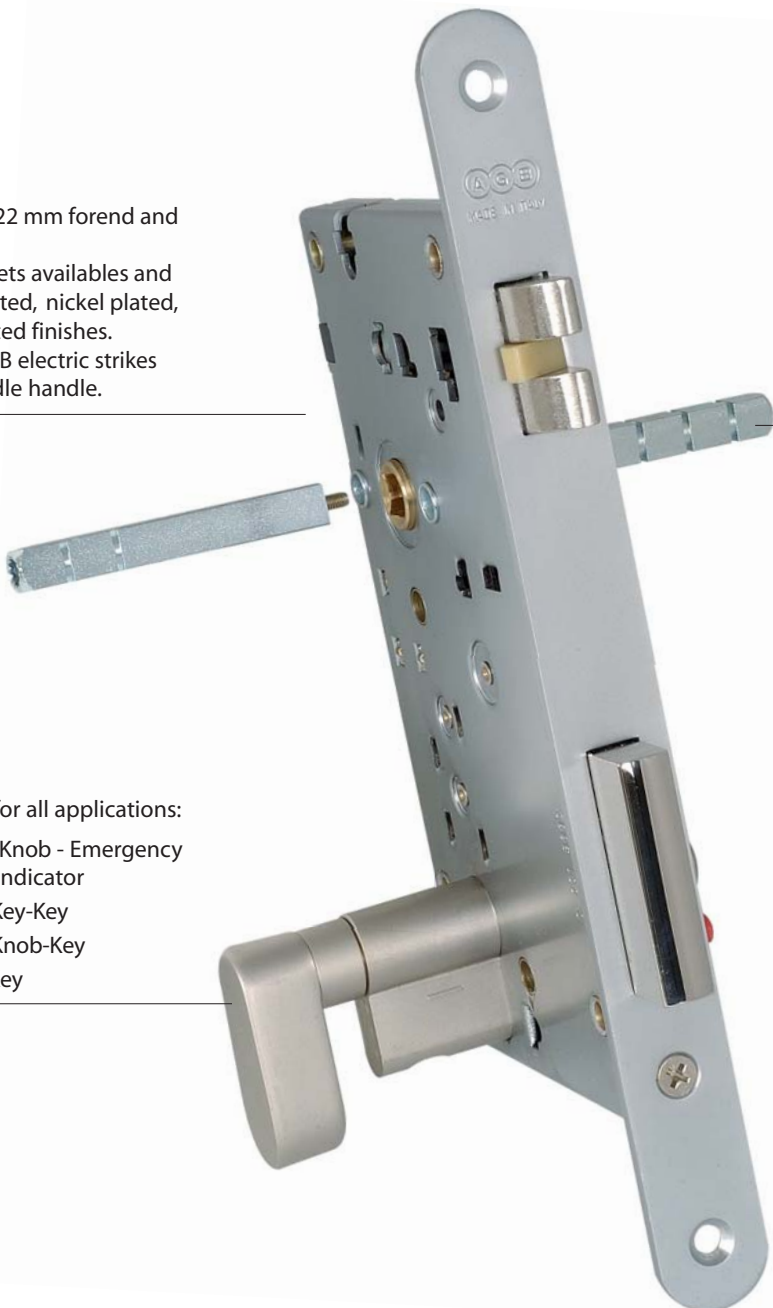


OPERA DQ SL

85 mm centre lock, 22 mm forend and round ends.
50-60-70 mm backsets available and enamelled brass plated, nickel plated, matt chromium plated finishes.
Compatible with AGB electric strikes and any 8 mm spindle handle.

SPLIT-SPINDLE

Trimmable split-spindle made of steel which separates the movement of the inside and outside handle.



CYLINDER

4 cylinder versions for all applications:

- ① Mod. Opera DQ, Knob - Emergency with occupancy indicator
- ② Mod. Opera DQ Key-Key
- ③ Mod. Opera DQ Knob-Key
- ④ Mod. 600 Knob-Key

Cylinders - available versions and systems



① Mod. Opera DQ Knob-Emergency with occupancy indicator



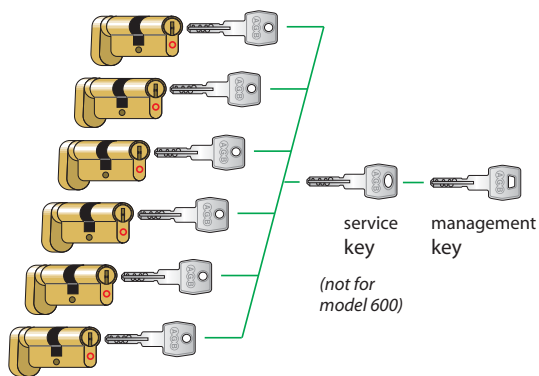
② Mod. Opera DQ Key-Key



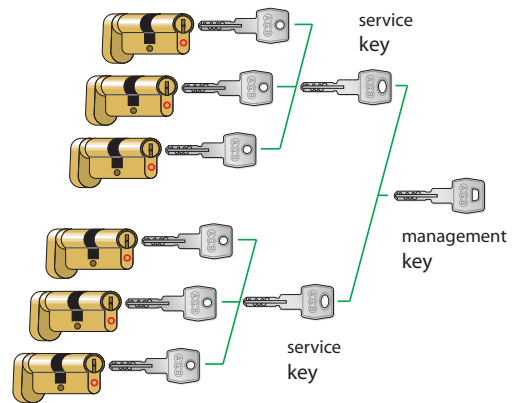
③ Mod. Opera DQ Knob-Key



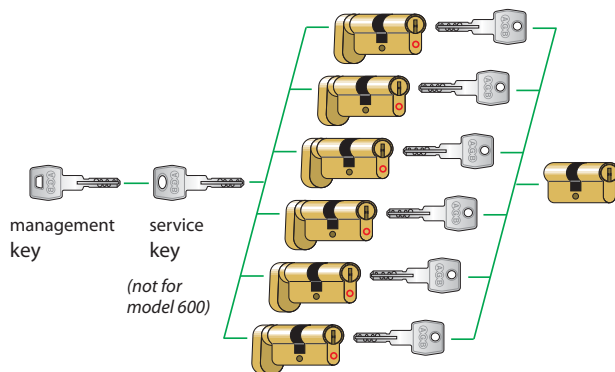
④ Mod. 600 Knob-Key



System MK
Master Key system

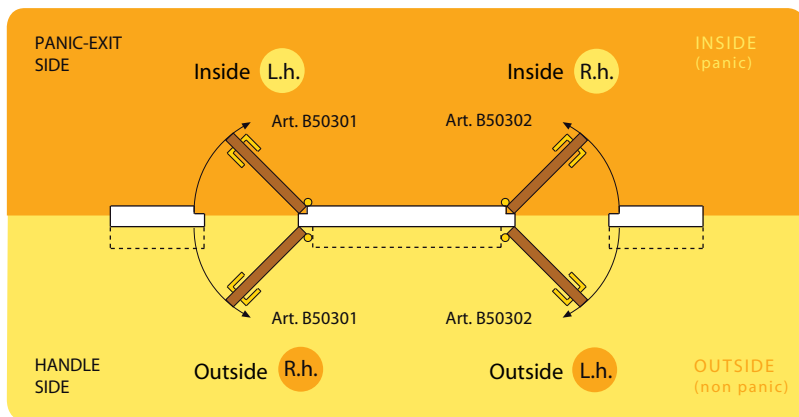


System GMK
General Master Key system

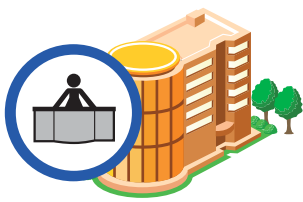


System CCMK
Central Cylinder systems and Master Key

Applications



Ideal for...



HOTELS



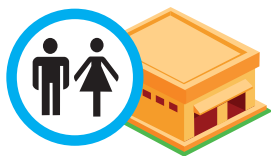
NURSING AND REST HOMES



HOLIDAY RESORTS

Items to order:

- Lock (art B50301/2.xx.xx).
- Split-spindle (art B59901.xx.xx).
- Cylinder knob-key mod. Opera DQ or mod. 600.



BATHROOMS

Items to order:

- Lock (art B50301/2.xx.xx).
- Split-spindle (art B59901.xx.xx).
- Cylinder mod. Opera DQ knob-Emergency with occupancy indicator.



PUBLIC BUILDING ENTRANCES

Items to order:

- Lock (art B50301/2.xx.xx).
- Split-spindle (art B59901.xx.xx).
- Cylinder mod. Opera DQ key-key.