

# DUETTO

## Kit for folding doors

The DUETTO kit is the AGB solution for folding doors.  
The main innovation of the AGB kit is the revolutionary ACTIVE-PASSIVE opening system.



The handles, besides their elegant design, combine high functionality which allows easy movement of the folding door.

The brass handles are available in the traditional 34 mm diameter version and in the special 48 mm diameter version. The latter is compatible with the Scivola and Scivola TT locks.

Special lock for folding doors. Backset of 30 and 35 mm with an 8 mm follower positioned on the spindle centre of the lock.

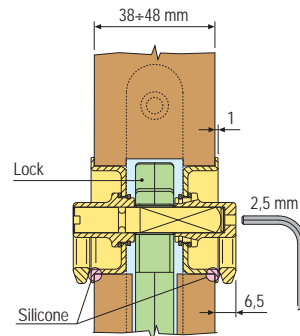
# DUETTO Kit for folding doors

## Handles

### ACTIVE - PASSIVE SYSTEM



One handle is used just to move the door whilst it leaves the spindle on idle (passive system). The other handle operates the spindle as well (active system) and can be recognised by the little Allen screw used for mounting the handles.  
**NB.** The passive handle is notched, in order to guarantee the emergency function by means of a screw driver or a coin.



### ACTIVE - ACTIVE SYSTEM

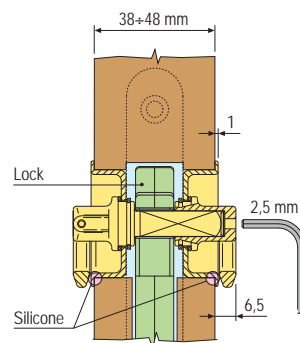


The active-active system takes the standard concept of folding door and allows operating the follower by rotating the ring handles on both sides of the door.

#### Available finishes:

Bronze plated (02)  
 Satin (08)  
 Enamelled polished (10)

Antique brass plated (12)  
 Cromium plated (30)  
 Satin chromium plated (32)



## Duetto



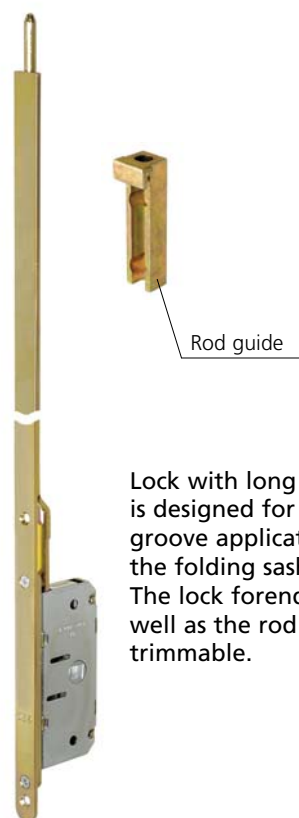
The forend does not have any spring latch, bolt or hook and is completely smooth. The door is closed by means of a push rod mounted on a threaded bar with 30 mm travel which is operated by a 180° follower rotation.

## Bar



M6 threaded rod.  
 It is screwed into the lock, passes through a hole drilled within the upper inside part of the panel and 35 mm back from the rebate.  
 A push rod, which is supplied along with the lock and rod guide, is then screwed at the end of the bar.

## Duetto Long forend



Lock with long forend is designed for 16/12 groove application on the folding sash jamb. The lock forend as well as the rod are trimmable.