

FCZ

Fan coils Universal and floor installation



Aermec is participating in the EUROVENT Program : FCH The related products can be found at the website www.eurovent-certification.com

Variable Multi Flow®

VMF



FCZ_D Dualjet



FCZ_A



Programming via smart devices using Therm App

Electronic T-Touch controller



FCZ_U

- **EXTREMELY SILENT OPERATION**
- **ADVANCED CONTROLLER ALLOWING PROGRAMMING VIA SMART DEVICES**
- **DUALJET VERSION FOR HIGHEST FOUR-SEASON COMFORT**

Features

Drawing from its wide experience in the field of fan coils, Aermec presents the new FCZ series: elegant design goes hand in hand with low noise and notable energy savings.

FCZ can be installed in any 2/4 pipe system and operates with any heat generator even at low temperatures. Thanks to numerous configurations and models Aermec offers the ideal solution for any need.

Versions

Without installed controller,

Vertical or horizontal installation:

FCZ_U
FCZ_UA

Vertical installation:

FCZ_DS
FCZ_AS

With installed controller

Vertical installation:

FCZ_D
FCZ_A
FCZ_ACT
FCZ_APC

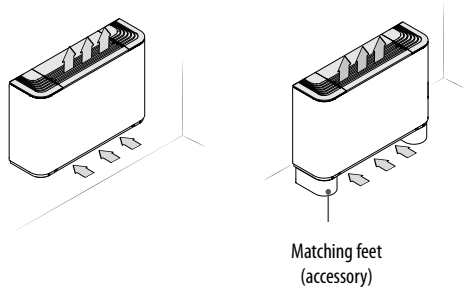
- housing RAL9003, grille/feet RAL 7047
- 3-speed fan.
- Electric motors with permanently inserted condensers
- Metallic protective cabinet with rustproofing polyester paint
- Adjustable air distribution grille (U version)
- Automatic power-off function with closure of the air delivery grille, (U version)
- Low pressure drop coil
- Easy installation and maintenance
- G2 air filter for all versions. **APC versions equipped with Plasmacluster purifier**
- Extractable shrouds for easy, effective cleaning
- The hydraulic connections can be inverted


during installation (only valid for units with a single coil, those with a supplementary coil cannot be inverted).

- **The ThermApp application (applicable with T-TOUCH controller) operates by simply placing a smart device on the fan coil. The App allows working mode and time schedule programming, sleep mode activation, alarm listing, etc. ThermApp is available for Android Operating Systems.**

Configurations available

With fixed grille (vertical free-standing) - A

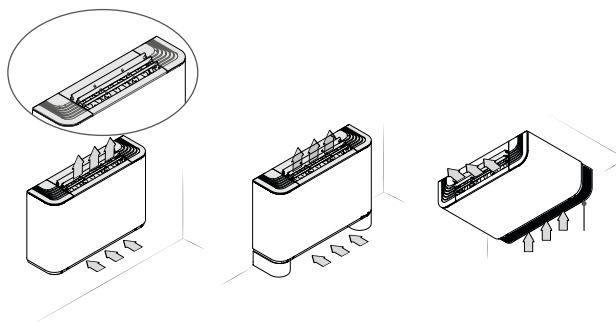


- **FCZ_A**
 - With switch
- **FCZ_AS**
 - Without installed controller
 - Compatible with VMF system
- **FCZ_ACT**
 - With electronic controller (for 2 pipe systems)
- **FCZ_APC** 
 - With electronic controller (for 2 pipe systems)
 - with Plasmacluster purifier

Vertical installation only
- For 2/4 pipe systems

With adjustable/fixed grille (Universal) - U

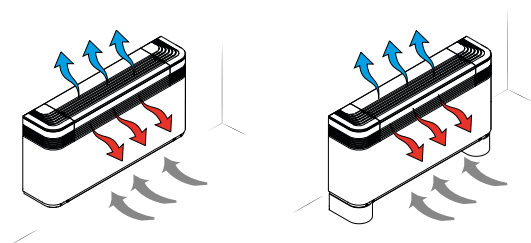
With adjustable air distribution grille - U



- **FCZ_U**
 - Without installed controller
 - Compatible with VMF system
 - Adjustable grille
 - Single for size 1-2-3
 - Three independent for sizes 4-5-6-7-8
- With the flap completely closed the unit is off**

Vertical or horizontal installation
- For 2/4 pipe systems

With double flow (Dualjet) - D



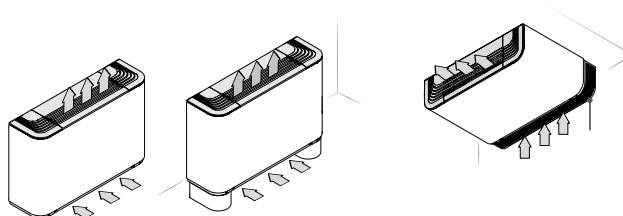
Dualjet, unique to Aermec, offers notably improved seasonal comfort by directing the air flow according to the season. In winter warm air is directed towards the floor; in summer cool air is directed towards the ceiling.

- **FCZ_D** With installed controller
- **FCZ_DS** Without installed controller

FCZ_DS units are compatible with the T-TOUCH controller and VMF system, (contact Aermec for further details)
- The air supply orientation (frontal or top) is adjusted by acting directly on the grille.

Vertical installation only
- For 2 pipe system (4 pipe system with VCF_X4, VMF system or T-TOUCH)

With fixed air distribution grille - UA



- **FCZ_UA**
 - Without installed controller
 - Compatible with VMF system
 - Fixed grille

Vertical or horizontal installation
- For 2/4 pipe systems

Unit selection

By appropriately combining the variety of options available, each model can be configured in order to meet all specific system requirements.

Field	Code	7,8	Versions
1,2,3	FCZ		D Dualjet with installed controller
4	Size		DS Dualjet without installed controller
	1-2-3-4-5-6-7-8-9-10		A Free standing with switch
5	Main coil		AS Free standing without switch
	0 Standard		ACT Free standing with electronic controller
	5 Oversized (1)		APC Free standing, electronic controller and Plasmacluster purifier
6	Supplementary coil		U Universal with adjustable grille, without installed controller
	0 Without coil		UA Universal with fixed grille without installed controller
	1 Standard		
	2 Oversized		

(1) Oversized coil "5" does not allow the installation of the supplementary coil "1 or 2"

Size available by version

Versions	Size available with main coil only (2 pipes)																			
FCZ	100	150	200	250	300	350	400	450	500	550	600	650	700	750	800	850	900	950	1000	
A	•	•	•	•	•	•	•	•	•	•	•	•	•	•	•	•	•	•	•	•
AS	•	•	•	•	•	•	•	•	•	•	•	•	•	•	•	•	•	•	•	•
ACT	•	•	•	•	•	•	•	•	•	•	•	•	•	•	•	•	•	•	•	•
APC	•	•	•	•	•	•	•	•	•	•	•	•	•	•	•	•	•	•	•	•
U	•	•	•	•	•	•	•	•	•	•	•	•	•	•	•	•	•	•	•	•
UA	•	•	•	•	•	•	•	•	•	•	•	•	•	•	•	•	•	•	•	•
D	/	/	•	/	•	/	•	/	•	/	/	/	/	/	/	/	/	/	/	/
DS	/	/	•	/	•	/	•	/	•	/	/	/	/	/	/	/	/	/	/	/

Versions	Size available with main and supplementary coil (4 pipes)																			
FCZ	101	102	201	202	301	302	401	402	501	502	601	602	701	702	801	802	901	1001		
A	•	•	•	•	•	•	•	•	•	•	•	•	•	•	•	•	•	•	•	
AS	•	•	•	•	•	•	•	•	•	•	•	•	•	•	•	•	•	•	•	
ACT	/	/	/	/	/	/	/	/	/	/	/	/	/	/	/	/	/	/	/	
APC	/	/	/	/	/	/	/	/	/	/	/	/	/	/	/	/	/	/	/	
U	•	•	•	•	•	•	•	•	•	•	•	•	•	•	•	•	•	•	•	
UA	•	•	•	•	•	•	•	•	•	•	•	•	•	•	•	•	•	•	•	
D	/	/	/	/	/	/	/	/	/	/	/	/	/	/	/	/	/	/	/	
DS	/	/	/	/	/	/	/	/	/	/	/	/	/	/	/	/	/	/	/	

Accessories

Control Panel

- T-TOUCH:** Touch controller mounted on-board. allows remote control with (Android) smart devices using the ThermApp application.

A range of dedicated controllers, wall-mounted or on the machine, is available but it is essential to choose between these panels for simple and complete tuning, for more details please refer to the dedicated sheet.

Probes and accessories for control panels

- SW3:** water temperature probe allowing automatic season change on electronic controllers supplied with water-side change over
- SWA:** external probe accessory (length = 6m). The probe detects the temperature of the ambient air if connected to the connector (A) on panel FMT21; the ambient air temperature probe incorporated in the panel is automatically deactivated. Detects the temperature of the water in the system, for ventilation consent, if connected to the connector (W) of the FMT21 panel. Two SWA probes can be simultaneously connected to the panel FMT21.
- SIT 3 - 5:** Thermostat Interface Card allowing the creation of a network of fan coils (max. 10) commanded by a central control panel (selector or thermostat). SIT3: commands the 3 fan speeds and must be installed on each fan coil within the network; receives the commands from the selector or the SIT5 card. SIT5: commands the 3 fan speeds and up to 2 valves (four pipe systems); sends the thermostat's commands to the fan coil network.

VMF system

- VMF-E0:** thermostat accessory to be mounted on the side of the fancoil, equipped with air and water sensors as standard; controls 2 pipe, 4 pipe, 2 pipe + Plasmacluster, 2 pipe + UV lamps, 2 pipe + electrical heater systems. Equipped with external contact to be

used as low voltage remote ON-OFF. This thermostat can create a single fancoil zone through 2-wire serial communication (1 master + maximum 5 slaves). The thermostat is fuse protected.

- VMF-E2Z:** User interface for mounting on the unit with two selectors: one to control the temperature and one for the speed.
- VMF-E4:** Wall mounted user interface allowing control via a capacitive touch keyboard.
- VMF-E5:** Wall recessed panel allowing control of a complete hydronic system via a capacitive touch keyboard.
- VMF-E1:** Thermostat for serial communication.
- VMF-SW:** Water sensor replacing that supplied with VMF-E1 thermostats for installation upstream of the valve.
- VMF-SW1:** Additional water sensor for 4-pipe systems with E1 thermostats offering maximum control in the cooling range.

Hot water coil

- BV:** Single row hot water heat exchanger. Not available for versions with Plasmacluster.

Electrical heater

- RX:** Armoured electrical coil with safety thermostat (requires a thermostat with heater management). Not available for 4-row or Plasmacluster versions

Valve kit

- VCZ_X4:** Valve kits for single coil units, installed in 4 pipe systems with totally separated "Cooling" and "Heating" circuits. The kit consists of 2 valves with 3-way 4 port connection complete with electro-thermal actuators, insulating shells for the valves and associated hydraulic piping. The VCF1X4L valve kit allows left side connection.
- VCZ or VCF:** kit containing a motorised 3-way valve with insulating shell plus coupling and pipes in insulated copper. Applicable for standard or oversized main coil. Available with 230V and 24V~50Hz power supply.

- VCZD or VCFD:** Kit consisting of powered 2-way valve, copper couplings and pipes applicable for standard or oversized main coil. Available with 230V and 24V~50Hz power supply.

- VJP/VJP_M:** Control and balancing combination valve for 2 and 4 pipe systems to install outside the unit, supplied without fittings and hydraulic components. The valve, which can guarantee a constant water flow rate in the terminal, within its operating range, is available with 230V and 24V~50Hz power supply.

The VJP is controlled by on-off logic with compatible control panels (accessories)

The VJP_M is controlled by modulating logic with panels not supplied by Aermec

The design water flow rate is crucial to refine the selection of the valve shown in the compatibility table.

Installation accessories

- AMP:** Wall mounting kit.
- DSC4:** Condensate drainage device applied where natural run-off is not possible.
- GA:** Grille to hide hydraulics and electrics on ceiling mounted units; also applicable for floor installation.
- PCZ:** Sheet metal panel to close rear of unit
- ZXZ:** Mounting feet (set of 2).

Refer to dedicated product Leaflet for further details concerning control panel and VMF System.

Compatibility of accessories

FCZ		Single coil model																	
		100	150	200	250	300	350	400	450	500	550	600	650	700	750	800	850	900	950
Probes and accessories for control panels																			
T-TOUCH	AS-U-UA-DS	*	*	*	*	*	*	*	*	*	*	*	*	*	*	*	*	*	*
KTLM	AS-U-UA	*	*	*	*	*	*	*	*	*	*	*	*	*	*	*	*	*	*
PTINZ	AS-U-UA-DS	*	*	*	*	*	*	*	*	*	*	*	*	*	*	*	*	*	*
PX-PX2-PX2C6	AS-U-UA (1)	*	*	*	*	*	*	*	*	*	*	*	*	*	*	*	*	*	*
PXAE-PXAR	AS-U-UA	*	*	*	*	*	*	*	*	*	*	*	*	*	*	*	*	*	*
TPF	AS-U-UA	*	*	*	*	*	*	*	*	*	*	*	*	*	*	*	*	*	*
WMT05-06-10	AS-U-UA	*	*	*	*	*	*	*	*	*	*	*	*	*	*	*	*	*	*
FMT21	AS-U-UA	*	*	*	*	*	*	*	*	*	*	*	*	*	*	*	*	*	*
SWA	AS-U-UA	In combination with FMT21																	
SW3	AS-U-UA	In combination with PXAE or PXAR																	
SIT3	AS-U-UA	In combination with FMT21 or PXAE or PXAR or PX2 or PX or PX2C6 WMT05-06-10																	
SIT5	AS-U-UA	In combination with FMT21 or PXAE or PXAR																	
VMF System																			
VMF-E0	AS-U-UA-DS*	*	*	*	*	*	*	*	*	*	*	*	*	*	*	*	*	*	*
VMF-E1	AS-U-UA-DS*	*	*	*	*	*	*	*	*	*	*	*	*	*	*	*	*	*	*
VMF-E2Z	AS-U-UA	*	*	*	*	*	*	*	*	*	*	*	*	*	*	*	*	*	*
VMF-E4	AS-U-UA	*	*	*	*	*	*	*	*	*	*	*	*	*	*	*	*	*	*
VMF-E5	AS-U-UA	*	*	*	*	*	*	*	*	*	*	*	*	*	*	*	*	*	*
VMF-SW	AS-U-UA	*	*	*	*	*	*	*	*	*	*	*	*	*	*	*	*	*	*
VMF-SW1	AS-U-UA	*	*	*	*	*	*	*	*	*	*	*	*	*	*	*	*	*	*
Additional coil (heating only)																			
BV117	A-AS-U-UA	*																	
BV122	A-AS-U-UA			*															
BV132	A-AS-U-UA				*														
BV142	A-AS-U-UA					*			*										
BVZ800	A-AS-U-UA									*		*		*					
BV162	A-AS-U-UA																*		*
Electrical Heat Exchanger																			
RX17	AS-U-UA	*																	
RX22	AS-U-UA			*															
RX32	AS-U-UA				*														
RX42	AS-U-UA						*												
RX52	AS-U-UA							*											
RXZ800	AS-U-UA									*		*		*					
RX62	AS-U-UA																*		*
Water valves **																			
Valve Kit for 4 pipe systems with main coil																			
VCZ1X4L-R	AS-U-UA (DS+sist. VMF or T-TOUCH)	*	*	*	*														
VCZ2X4L-R	AS-U-UA (DS+sist. VMF or T-TOUCH)				*	*	*	*	*	*	*	*	*	*	*	*	*	*	*
VCZ3X4L-R	AS-U-UA (DS+sist. VMF or T-TOUCH)																*	*	*
3 way valve kit																			
VCZ41/4124	AS-ACT-APC-U-UA-D-DS (2)	*	*	*	*														
VCZ42/4224	AS-ACT-APC-U-UA-D-DS (2)				*	*	*	*	*	*	*	*	*	*	*	*	*	*	*
VCZ43/4324	AS-ACT-APC-U-UA-D-DS (2)																*	*	*
2 way valve kit																			
VCZD1/124	AS-ACT-APC-U-UA-D-DS (2)	*	*	*															
VCZD2/224	AS-ACT-APC-U-UA-D-DS (2)				*	*	*	*	*	*	*	*	*	*	*	*	*	*	*
VCZD3/324	AS-ACT-APC-U-UA-D-DS (2)																*	*	*
Combined adjustment and balancing valve independent of pressure																			
VJP060	AS-ACT-APC-U-UA-D-DS	*	*	*	*	*	*												
VJP090	AS-ACT-APC-U-UA-D-DS						*	*	*	*	*	*	*	*	*	*	*	*	*
VJP150	AS-ACT-APC-U-UA-D-DS										*	*	*	*	*	*	*	*	*
VJP060M	AS-ACT-APC-U-UA-D-DS (2)	*	*	*	*	*	*												
VJP090M	AS-ACT-APC-U-UA-D-DS (2)				*	*	*	*	*	*	*	*	*	*	*	*	*	*	*
VJP150M	AS-ACT-APC-U-UA-D-DS (2)									*	*	*	*	*	*	*	*	*	*
Installation accessories																			
AMP20	U-UA	*	*	*	*	*	*	*	*	*	*	*	*	*	*	*	*	*	*
AMPZ	U-UA	*	*	*	*	*	*	*	*	*	*	*	*	*	*	*	*	*	*
DSC4	All (3)	*	*	*	*	*	*	*	*	*	*	*	*	*	*	*	*	*	*
Panel to close rear of unit																			
PCZ100	All	*	*																
PCZ200	All			*	*														

For further details concerning control panels and VMF system refer to the dedicated sheets.

* Contact Aermec

**The water valves can be combined with the unit if it is also provided a control panel that controls

PTINZ e PX2Z **Only for wall installation**

(1) **Only for wall installation**; PX2C6 panel PX2 in multiples of 6

(2) VCZ4124-VCZ4224-VCZ4324-VCZD124-VCZD224-VCZD324-VJP60M-VJP090M-VJP150M are 24V

(3) DSC4 is not available with AMPZ

Compatibility of accessories

		Single coil model																		
FCZ		100	150	200	250	300	350	400	450	500	550	600	650	700	750	800	850	900	950	1000
PCZ300	All					•	•													
PCZ500	All							•	•											
PCZ800	All											•	•	•	•	•	•			
PCZ1000	All																	•	•	•
Grille for ceiling mounted units																				
GA100	U-UA	•	•																	
GA200	U-UA			•	•															
GA300	U-UA					•	•													
GA500	U-UA							•	•	•	•									
GA800	U-UA											•	•	•	•	•	•	•	•	•
Mounting feet																				
ZXZ		•	•	•	•	•	•	•	•	•	•	•	•	•	•	•	•	•	•	•
		Twin coil models																		
FCZ		101	102	201	202	301	302	401	402	501	502	601	602	701	702	801	802	901	1001	
Probes and accessories for control panels																				
T-TOUCH	AS-U-UA	•	•	•	•	•	•	•	•	•	•	•	•	•	•	•	•	•	•	•
KTLM	AS-U-UA	•	•	•	•	•	•	•	•	•	•	*	*	*	*	*	*	*	*	*
TPF	AS-U-UA	•	•	•	•	•	•	•	•	•	•	•	•	•	•	•	•	•	•	•
WMT06-10	AS-U-UA	•	•	•	•	•	•	•	•	•	•	•	•	•	•	•	•	•	•	•
FMT21	AS-U-UA	•	•	•	•	•	•	•	•	•	•	•	•	•	•	•	•	•	•	•
SWA	AS-U-UA	In combination with FMT21																		
SIT3	AS-U-UA	In combination with FMT21																		
SIT5	AS-U-UA	In combination with FMT21																		
VMF System																				
VMF-E0	AS-U-UA	•	•	•	•	•	•	•	•	•	•	•	•	•	•	•	•	•	•	•
VMF-E1	AS-U-UA	•	•	•	•	•	•	•	•	•	•	•	•	•	•	•	•	•	•	•
VMF-E2Z	AS-U-UA	•	•	•	•	•	•	•	•	•	•	•	•	•	•	•	•	•	•	•
VMF-E4	AS-U-UA	•	•	•	•	•	•	•	•	•	•	•	•	•	•	•	•	•	•	•
VMF-E5	AS-U-UA	•	•	•	•	•	•	•	•	•	•	•	•	•	•	•	•	•	•	•
VMF-SW	AS-U-UA	•	•	•	•	•	•	•	•	•	•	•	•	•	•	•	•	•	•	•
VMF-SW1	AS-U-UA	•	•	•	•	•	•	•	•	•	•	•	•	•	•	•	•	•	•	•
Water valves **																				
3 way valve kit																				
VCZ41/4124	AS-U-UA	(2)	•	•	•	•														
VCZ42/4224	AS-U-UA	(2)				•	•	•	•	•	•	•	•	•	•	•	•			
VCZ43/4324	AS-U-UA	(2)																	•	•
2 way valve kit																				
VCZD1/124	AS-U-UA	(2)	•	•	•	•														
VCZD2/224	AS-U-UA	(2)				•	•	•	•	•	•	•	•	•	•	•	•			
VCZD3/324	AS-U-UA	(2)																	•	•
3 way valve kit for heating coil only																				
VCF44/4424	AS-U-UA		•	•	•	•	•	•	•	•	•	•	•	•	•	•	•	•	•	•
VCF45/4524	AS-U-UA																		•	•
2 way valve kit for heating coil only																				
VCFD4/424	AS-U-UA		•	•	•	•	•	•	•	•	•	•	•	•	•	•	•	•	•	•
Combined adjustment and balancing valve independent of pressure																				
VJP060	AS-U-UA		•	•	•	•	•	•	•	•	•	•	•	•	•	•	•	•	•	•
VJP090	AS-U-UA								•	•	•	•	•	•	•	•	•	•	•	•
VJP150	AS-U-UA												•	•	•	•	•	•	•	•
VJP060M	AS-U-UA	(2)	•	•	•	•	•	•												
VJP090M	AS-U-UA	(2)						•	•	•	•	•	•	•	•	•	•	•	•	•
VJP150M	AS-U-UA	(2)												•	•	•	•	•	•	•
Installation accessories																				
AMP20	U-UA		•	•	•	•	•	•	•	•	•	•	•	•	•	•	•	•	•	•
AMPZ	U-UA		•	•	•	•	•	•	•	•	•	•	•	•	•	•	•	•	•	•
DSC4	All	(3)	•	•	•	•	•	•	•	•	•	•	•	•	•	•	•	•	•	•
Panel to close rear of unit																				
PCZ100	All	•	•																	
PCZ200	All			•	•															
PCZ300	All					•	•													
PCZ500	All							•	•	•	•									
PCZ800	All											•	•	•	•	•	•	•	•	•
PCZ1000	All																		•	•
Grille for ceiling mounted units																				
GA100	U-UA	•	•																	
GA200	U-UA			•	•															
GA300	U-UA					•	•													
GA500	U-UA							•	•	•	•									
GA800	U-UA											•	•	•	•	•	•	•	•	•
Mounting feet																				
ZXZ	All	•	•	•	•	•	•	•	•	•	•	•	•	•	•	•	•	•	•	•

For further details concerning control panels and VMF system refer to the dedicated sheets.

* Contact Aermec

**The water valves can be combined with the unit if it is also provided a control panel that controls

VJP / VJP_M The compatibility of the valves in the hot branch plant 4 tubes, check with the design water flow

Technical data - unit with single coil

FCZ	100			150			200			250			300			350			400			450			500			550							
	H	M	L	H	M	L	H	M	L	H	M	L	H	M	L	H	M	L	H	M	L	H	M	L	H	M	L	H	M	L	H	M	L		
Fan speed																																			
Heating Performance																																			
2 pipe systems																																			
Heating capacity (70°C) (1)	kW			2,40	2,00	1,46	2,65	2,19	1,55	3,70	2,95	2,02	4,05	3,18	2,20	5,50	4,46	3,47	6,15	4,92	3,77	7,15	5,74	4,32	7,82	6,29	4,57	8,50	7,31	5,27	9,75	8,34	5,82		
Water flow rate (1)	l/h			206	172	125	228	188	133	318	253	173	348	273	189	473	383	298	529	423	324	615	493	371	672	532	393	731	629	453	838	717	500		
Pressure drop (1)	kPa			9	6	4	14	10	6	20	13	7	31	20	11	17	12	7	28	19	12	32	21	11	22	13	9	42	42	42	33	25	14		
Heating capacity (45°C) (2)	kW			1,19	0,99	0,72	1,31	1,09	0,77	1,84	1,46	1,00	2,01	1,58	1,09	2,73	2,21	1,72	3,06	2,44	1,87	3,55	2,85	2,14	3,88	3,12	2,27	4,22	3,63	2,62	4,85	4,14	2,89		
Water flow rate (2)	l/h			207	173	126	229	189	134	319	254	174	350	274	190	475	385	299	531	425	325	617	495	373	675	543	394	734	631	455	842	720	502		
Pressure drop (2)	kPa			9	7	4	12	9	5	17	12	6	22	15	8	17	12	8	20	14	8	23	16	9	16	11	6	28	21	12	25	19	10		
Cooling Performance																																			
Total cooling capacity (3)	kW			1,00	0,84	0,65	1,27	1,06	0,80	1,60	1,28	0,89	1,94	1,55	1,06	2,65	2,17	1,68	3,02	2,46	1,89	3,60	2,92	2,21	4,03	3,21	2,41	4,25	3,69	2,68	4,79	4,13	2,91		
Sensible cooling capacity (3)	kW			0,83	0,69	0,51	0,97	0,80	0,57	1,33	1,05	0,71	1,52	1,20	0,79	2,04	1,65	1,26	2,18	1,76	1,33	2,67	2,14	1,59	2,90	2,30	1,69	3,18	2,73	1,94	3,49	2,98	2,07		
Water flow rate (3)	l/h			172	144	112	219	182	138	275	221	153	334	267	182	456	374	288	560	460	350	619	503	379	694	552	414	731	634	460	824	711	501		
Pressure drop (3)	kPa			8	6	4	13	12	6	18	12	6	25	17	8	18	12	8	25	17	11	24	16	10	22	15	9	29	22	13	28	21	11		
Fans																																			
Centrifugal Fans	n°			1			1			2			2			2																			
Air flow rate	m³/h			200	160	110	200	160	110	290	220	140	290	220	140	450	350	260	450	350	260	600	460	330	600	460	330	720	600	400	720	600	400		
Sound level																																			
Sound power level (4)	dB(A)			45	38	31	45	38	31	51	46	35	51	46	35	48	41	34	48	41	34	51	44	37	51	44	37	56	51	42	56	51	42		
Sound pressure level	dB(A)			37	30	23	37	30	23	43	38	27	43	38	27	40	33	26	40	33	26	43	36	29	43	36	29	48	43	34	48	43	34		
Hydraulic connections																																			
Main coil																																			
Standard	Ø			1/2"	/			1/2"	/			3/4"	/			3/4"	/			3/4"	/			3/4"	/			3/4"	/			3/4"	/		
Oversized	Ø			/	1/2"			/	1/2"			/	1/2"			/	3/4"			/	3/4"			/	3/4"			/	3/4"			/	3/4"		
Electrical data																																			
Absorbed power	W			35	29	19	35	29	19	33	29	25	33	29	25	44	33	25	44	33	25	57	43	30	57	43	30	76	52	38	76	52	38		
Connected for speeds				V3	V2	V1	V3	V2	V1	V3	V2	V1	V3	V2	V1	V3	V2	V1	V3	V2	V1	V3	V2	V1	V3	V2	V1	V3	V2	V1	V3	V2	V1		
Power supply	230V~50Hz																																		

FCZ	600			650			700			750			800			850			900			950			1000										
	H	M	L	H	M	L	H	M	L	H	M	L	H	M	L	H	M	L	H	M	L	H	M	L	H	M	L	H	M	L					
Fan speed																																			
Heating Performance																																			
2 pipe systems																																			
Heating capacity (70°C) (1)	kW			10,00	8,10	6,50	11,50	9,15	7,19	11,00	9,80	8,10	12,50	11,30	9,10	12,00	10,80	9,80	14,00	12,35	11,30	15,14	13,35	10,77	17,10	14,42	11,20	17,02	15,24	12,56					
Water flow rate (1)	l/h			877	710	570	1008	802	631	946	843	696	1075	972	782	1032	929	843	1204	1062	972	1328	1171	945	1500	1295	982	1493	1337	1101					
Pressure drop (1)	kPa			26	18	12	31	20	13	37	30	21	20	16	11	42	35	29	24	19	16	21	16	11	32	23	15	43	34	24					
Heating capacity (45°C) (2)	kW			4,97	4,03	3,23	5,72	4,55	3,57	5,47	4,87	4,03	6,21	5,62	4,52	5,97	5,37	4,87	6,96	6,14	5,62	7,53	6,64	5,35	8,50	7,17	5,57	8,46	7,58	6,24					
Water flow rate (2)	l/h			863	699	561	993	790	621	950	846	699	1079	975	786	1036	932	846	1209	1066	975	1307	1152	930	1476	1245	967	1469	1316	1084					
Pressure drop (2)	kPa			25	17	12	31	20	13	29	23	16	17	14	10	32	26	22	25	19	17	21	17	12	33	24	15	37	31	22					
Cooling Performance																																			
Total cooling capacity (3)	kW			4,65	3,90	3,22	5,67	4,80	3,95	5,50	4,89	3,92	6,14	5,34	4,27	6,10	5,66	4,84	6,91	6,29	5,26	6,91	5,00	4,29	8,60	7,32	5,77	7,62	6,88	5,69					
Sensible cooling capacity (3)	kW			3,92	3,17	2,56	4,12	3,43	2,78	4,30	3,76	2,99	4,72	4,05	3,20	4,83	4,42	3,72	5,36	4,83	4,00	5,68	3,78	2,97	5,78	4,87	3,80	5,53	5,34	4,42					
Water flow rate (3)	l/h			800	671	554	975	825	595	946	841	675	1056	918	734	1049	974	833	1189	1082	904	1189	860	738	1479	1259	992	1311	1183	979					
Pressure drop (3)	kPa			26	19	13	28	21	15	30	24	16	18	14	10	30	26	20	23	19	14	22	12	9	30	22	15	37	31	22					
Fans																																			
Fans Centrifugal	n°			3			3			3			3			3			3																
Air flow rate	m³/h			920	720	520	920	720	520	1140	930	700	1140	930	700	1300	1120	900	1300	1120	900	1140	930	700	1140	930	700	1300	1120	900					
Sound level																																			
Sound power level (4)	dB(A)			57	51	42	57	51	42	62	57	50	62	57	50	66	61	56	66	61	56	62	57	51	61	57	51	66	61	56					
Sound pressure level	dB(A)			49	43	34	49	43	34	54	49	42	54	49	42	58	53	48	58	53	48	54	49	43	53	49	43	58	53	48					
Hydraulic connections																																			
Main coil																																			
Standard	Ø			3/4"	/			3/4"	/			3/4"	/			3/4"	/			3/4"	/			3/4"	/			3/4"	/			3/4"	/		
Oversized	Ø			/	3/4"			/	3/4"			/	3/4"			/	3/4"			/	3/4"			/	3/4"			/	3/4"			/	3/4"		
Electrical data																																			
Absorbed power	W			91	60	38	91	60	38	106	80	59	106	80	59	131	100	80	131	100	80	106	80	59	106	80	59	131	100	80					
Connected for speeds				V3	V2	V1	V3	V2	V1	V3	V2	V1	V3	V2	V1	V3	V2	V1	V3	V2	V1	V3	V2	V1	V3	V2	V1	V3	V2	V1	V3	V2	V1		
Power supply	V/ph/Hz 230V~50Hz																																		

(1) Room air temperature 20°C d.b.; Water (in/out) 70°C/60°C;

(2) Room air temperature 20°C d.b.; Water (in/out) 45°C/40°C (EUROVENT)

(3) Room air temperature 27°C d.b./19°C w.b.; Water (in/out) 7°C/12°C (EUROVENT)

(4) Sound power level: based on measurement in compliance with Eurovent 8/2

Sound pressure level (A-weighted) measured indoors with volume V=85m³, reverberation time t = 0.5 s; Direction factor Q = 2; Distance r = 2.5m

Technical data - unit with main + supplementary coil

FCZ	101			201			301			401				
	H	M	L	H	M	L	H	M	L	H	M	L		
Fan speed														
Heating Performance														
4 pipe systems														
Heating capacity	(1)	kW	1,17	1,02	0,75	1,61	1,36	1,02	2,56	2,19	1,81	3,13	2,65	2,13
Water flow rate	(1)	l/h	101	88	65	138	117	88	221	188	155	269	228	183
Pressure drop	(1)	kPa	4	3	2	10	7	5	29	22	15	8	7	4
Cooling Performance														
Total cooling capacity	(2)	kW	1,00	0,84	0,65	1,60	1,28	0,89	2,65	2,17	1,68	3,60	2,92	2,21
Sensible cooling capacity	(2)	kW	0,83	0,69	0,51	1,33	1,05	0,71	2,04	1,65	1,26	2,67	2,14	1,59
Water flow rate	(2)	l/h	172	144	112	275	221	153	456	374	288	619	503	379
Pressure drop	(2)	kPa	8	6	4	18	12	6	18	12	8	24	16	10
Fans														
Centrifugal fans		n°	1			1			2			2		
Air flow rate		m³/h	200	160	110	290	220	140	450	350	260	600	460	330
Sound level														
Sound power level	(3)	dB(A)	45	38	31	50	43	31	48	41	34	51	44	39
Sound pressure level		dB(A)	37	30	23	42	35	23	40	33	26	43	36	31
Hydraulic connections														
Main coil		Ø	1/2"			1/2"			3/4"			3/4"		
Additional coil		Ø	1/2"			1/2"			1/2"			1/2"		
Electrical data														
Absorbed power		W	35	29	19	35	29	25	44	33	25	57	43	30
Connected for speeds			V3	V2	V1	V3	V2	V1	V3	V2	V1	V3	V2	V1
Power supply		V/ph/Hz	230V~50Hz						230V~50Hz					

FCZ	501			601			701			801			901			1001				
	H	M	L	H	M	L	H	M	L	H	M	L	H	M	L	H	M	L		
Fan speed																				
Heating Performance																				
4 pipe systems																				
Heating capacity	(1)	kW	3,74	3,34	2,59	4,36	3,67	2,53	4,95	4,29	3,66	5,34	4,79	4,21	5,73	5,63	4,74	6,09	5,57	4,85
Water flow rate	(1)	l/h	321	287	223	375	316	217	426	369	315	459	412	362	493	484	407	523	479	417
Pressure drop	(1)	kPa	10	8	5	16	11	7	20	16	15	23	19	12	12	11	9	15	13	10
Cooling Performance																				
Total cooling capacity	(2)	kW	4,25	3,69	2,68	4,65	3,90	3,22	5,50	4,89	3,92	6,10	5,66	4,84	6,91	5,00	4,29	7,62	6,88	5,69
Sensible cooling capacity	(2)	kW	3,18	2,73	1,94	3,92	3,17	2,56	4,30	3,76	2,99	4,83	4,42	3,72	5,68	3,78	2,97	5,53	5,34	4,42
Water flow rate	(2)	l/h	731	634	460	800	671	554	946	841	675	1049	974	833	1189	860	738	1311	1183	979
Pressure drop	(2)	kPa	29	22	13	26	19	13	30	24	16	30	26	20	22	12	9	37	31	22
Fans																				
Centrifugal fans		n°	2			3			3			3			3					
Air flow rate		m³/h	720	600	400	920	720	520	1140	930	700	1300	1120	900	1140	930	700	1300	1120	900
Sound level																				
Sound power level	(3)	dB(A)	56	51	42	57	51	42	61	57	51	66	61	56	61	57	51	66	61	56
Sound pressure level		dB(A)	48	43	34	49	43	34	53	49	43	58	53	48	53	49	43	58	53	48
Hydraulic connections																				
Main coil		Ø	3/4"			3/4"			3/4"			3/4"			3/4"					
Additional coil		Ø	1/2"			1/2"			1/2"			1/2"			1/2"					
Electrical data																				
Absorbed power		W	76	52	38	91	60	38	106	80	59	131	100	80	106	80	59	131	100	80
Connected for speeds			V3	V2	V1	V3	V2	V1	V3	V2	V1	V3	V2	V1	V3	V2	V1	V3	V2	V1
Power supply			230V~50Hz																	

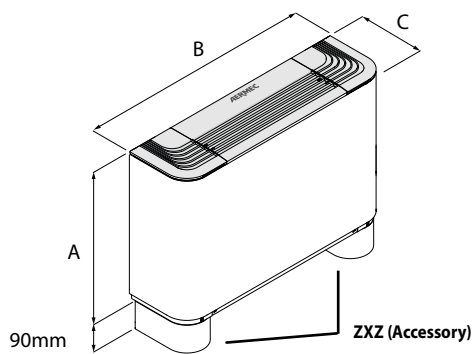
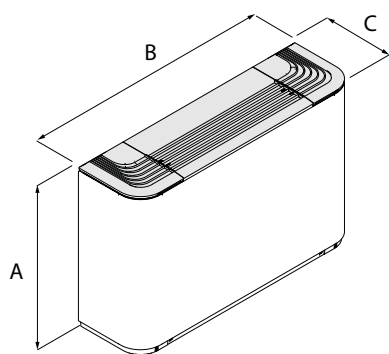
(1) Room air temperature 20°C d.b.; Water (in/out) 70°C/60°C;

(2) Room air temperature 27°C d.b./19°C w.b.; Water (in/out) 7°C/12°C (EUROVENT)

(3) Sound power level: based on measurement in compliance with Eurovent 8/2

Sound pressure level (A-weighted) measured indoors with volume V=85m³, reverberation time t = 0.5 s; Direction factor Q = 2; Distance r = 2.5m

Dimensions and Weights



FCZ		100	101	102	150	200	201	202	250	300	301	302	350	400	401	402	450	500	501	502	550
Dimensions for all versions																					
A	mm	486				486				486				486				486			
A (with feet)	mm	576				576				576				576				576			
B	mm	640				750				980				1200				1200			
C	mm	220				220				220				220				220			
Weight without feet	kg	13	14	14	14	15	15	16	16	17	18	19	19	23	23	24	24	22	23	24	24
FCZ		600	601	602	650	700	701	702	750	800	801	802	850	900	901	/	950	1000	1001	/	/
Dimensions for all versions																					
A	mm	486				486				486				591				591			
A (with feet)	mm	576				576				576				681				681			
B	mm	1320				1320				1320				1320				1320			
C	mm	220				220				220				220				220			
Weight without feet	kg	29	31	33	33	29	31	33	33	29	29	31	33	34				34			