

MAGIC MIRROR LED LIGHT BOX

DATA SHEET



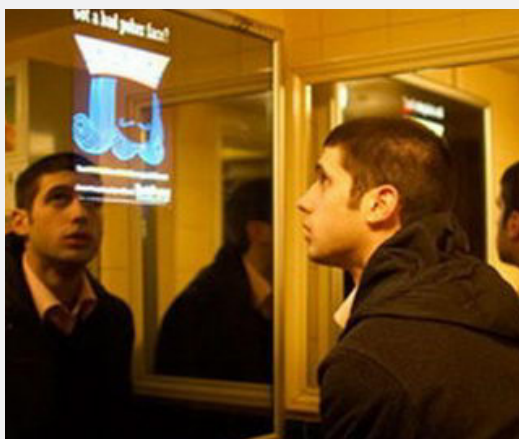
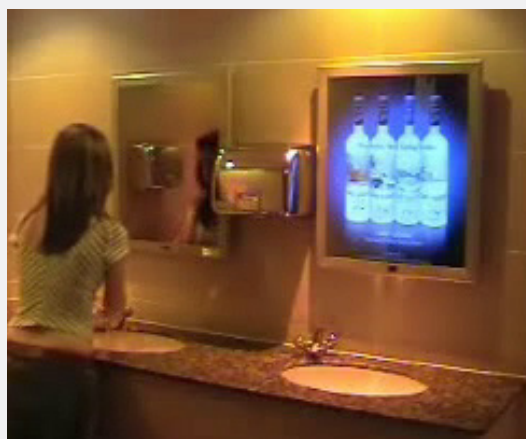
A mirror and light box in one. The eye-catching **Magic Mirror LED Light Box** illuminates graphics placed behind the mirror, but whenever an object approaches an integrated on-off sensor triggers the change from light box to mirror and back. The adjustable sensor has a range of up to 80cm. The display can be either full-screen, part of screen, or set to show a series of images 'magically' skipping around the mirror.

The Magic Mirror is appealing for advertising in washrooms in public places, such as bars, restaurants, hotels, etc. or even using in home.

The standard Magic Mirror has an aluminium anodised clip frame. The graphic can be changed very easily after removing its

outer cover. The mirror is made from tamper-proof safety glass. A wide range of standard sizes are available, as are bespoke sizes and the possibility to have the frame in any RAL colour of your choice, and to have logos print on the frame surface to match your brand identity.

PRODUCT FEATURES

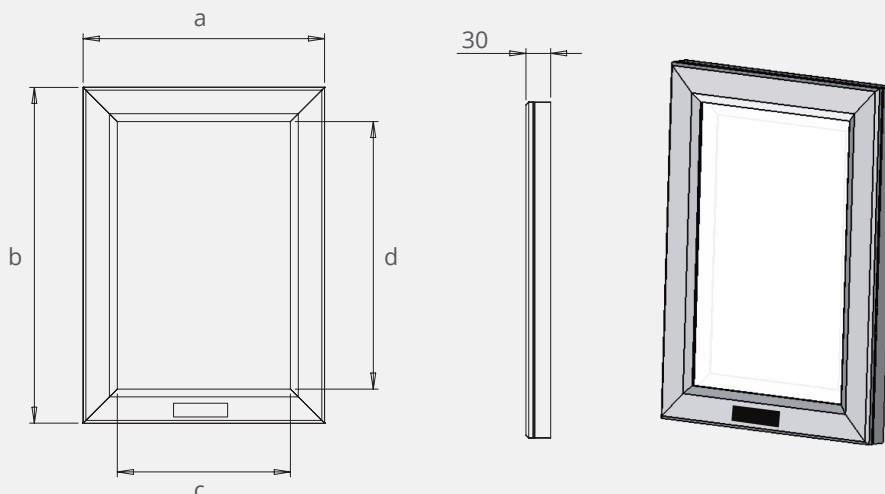


- Automatic change of display to mirror
- Sensor reaction time can be adjusted
- Even, pleasant lighting
- Operating voltage: 12V or 24V
- Power: 12W-120W
- Frame colour: standard is anodised aluminium; other colours on request

TECHNICAL DATA

Voltage	LED strip type	Current/unit	Power/m
12V	PL-FS2835	60mA	12W/m
24V	PL-RS1180	30mA	22W/m

SPECIFICATIONS



LED mirror/light box; aluminium clip frame; tamper-proof, mirrored safety glass or acrylic cover; external 12V or 24V DC PSU

Size	Frame Size (mm) a × b	Visible Size (mm) c × d	Graphic Size (mm)
A4	248 × 345	178 × 275	210 × 297
A3	335 × 468	265 × 398	297 × 420
A2	458 × 642	388 × 572	420 × 594
A1	632 × 889	562 × 819	594 × 841
A0	889 × 1227	819 × 1157	841 × 1189
Custom (max)	< 1500 × 1500	< 1430 × 1430	Enquire