

**SELF CLOSING
BASIN TAP WITH MULTI
DIRECTION TOGGLE LEVER**

PRODUCT CODE
6819 TDMDL

MAY 2016



Special Features

- ▲ SELF CLOSING
- ▲ WATER AND ENERGY SAVING
- ▲ HIGH POLISH CHROME FINISH
- ▲ TOGGLE LEVER OPERATION

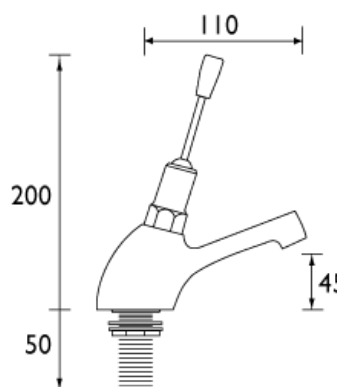
Description

The self closing non-concussive basin tap provides savings in both water usage and energy in all commercial and industrial environments. The tap provides approximately 15 seconds duration of flow when the toggle lever is moved in any direction making operation easy for users with limited mobility. The tap is supplied with red (hot) and blue (cold) indices for either hot or cold water installations.

Construction

The self closing non-concussive basin tap is manufactured from brass and has a high polish chrome finish. Supplied with 12mm (1/2 in) flexible water inlet hoses. The tap is supplied with a flow limiter to reduce flow to 7 litres/minute

Dimensions



Pressures and Operating Conditions

Maximum operating pressure:	8 bar
Minimum operating pressure:	0.2 bar
Maximum inlet Temperature:	65°C
Timed flow at 1 bar:	15 ± 3 seconds
Maximum basin thickness:	26 mm

Order Code

6819 TDMDL

