

# SOFT TOUCH SELF CLOSING LUXURY BASIN TAP

PRODUCT CODE  
**6823 TLXDH/C**

AUGUST 2014



## Special Features

- ▲ SOFT TOUCH OPERATION
- ▲ SELF CLOSING
- ▲ WATER AND ENERGY SAVING
- ▲ HIGH POLISH CHROME FINISH
- ▲ SUPPLIED WITH HOT AND COLD INDICES

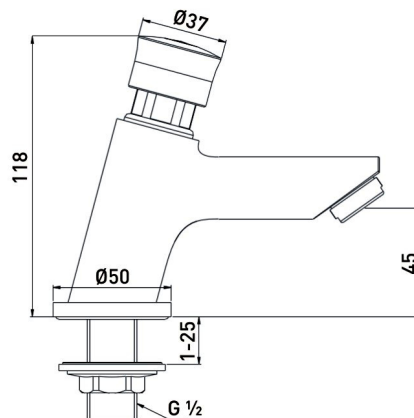
## Description

The soft touch self closing non-concussive luxury basin tap is particularly suitable for use by children, the elderly or disabled people as it requires less than half the normal force or hand pressure to operate when compared to traditional timed flow taps. The automatic timed flow shut off provides savings in both water usage and energy in all public, commercial and industrial environments. The tap provides approximately 9 seconds duration of flow when the push button top is depressed. The tap is sold singly and is suitable for either a hot or cold water supply with each tap being supplied with a choice of red (hot) or cold (blue) indices and a flow limiter to reduce flow to a maximum of 6 l/min.

## Construction

The soft touch self closing non-concussive luxury basin tap is manufactured from brass and has a high polish chrome finish. Supplied with a 1/2 in BSP male inlet connection.

## Dimensions



## Pressures and Operating Conditions

|                             |                         |
|-----------------------------|-------------------------|
| Maximum operating pressure: | 5.0 bar                 |
| Minimum operating pressure: | 0.5 bar                 |
| Maximum inlet temperature:  | 65°C                    |
| Timed flow:                 | 9 seconds approximately |
| Maximum basin thickness:    | 25 mm                   |
| Operating force at 0.5 bar: | 1.18 kg or 11.57 Nm     |
| Operating force at 5.0 bar: | 1.70 kg or 16.67 Nm     |

### Note:

Conventional timed flow taps typically require 3.00 Kg at 0.5 bar and in excess of 5.00 kg at 5 bar.

## Order Code

**6823TLXDH/C** Soft touch self closing luxury basin tap (single tap)

