

BASIN PILLAR TAP

PRODUCT CODE
6711 BPHC

MAY 2016



Special Features

- ▲ SIMPLE TO INSTALL AND USE
- ▲ HIGH POLISH CHROME FINISH

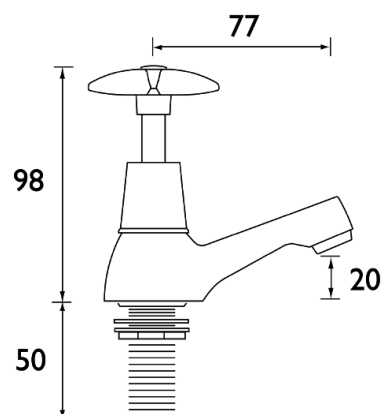
Description

The basin pillar tap is a crosshead design suitable for use in most applications where a simple straightforward tap is required. The tap is supplied in pairs.

Construction

The basin pillar tap is manufactured from solid brass and finished in a high polish chrome. Supplied with a 12 mm (1/2 in) BSP male inlet connections and metal back nuts.

Dimensions



Pressures

Minimum operating pressure: 0.2 bar
Maximum operating pressure: 7.0 bar
(at temperatures up to 85° C)

Order Code

6711 BPHC

