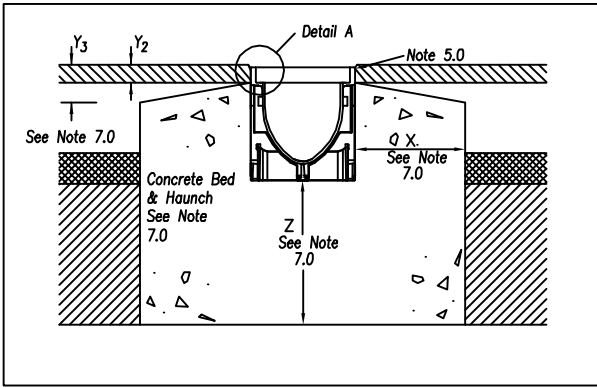
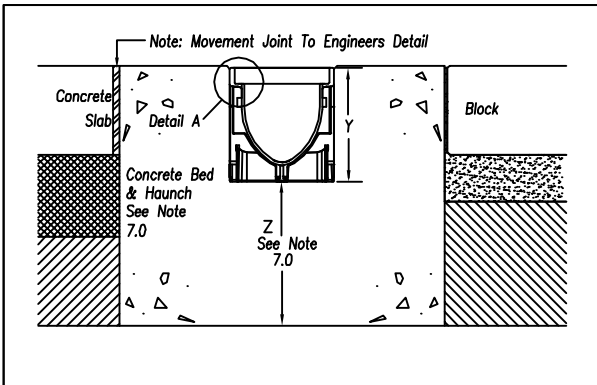


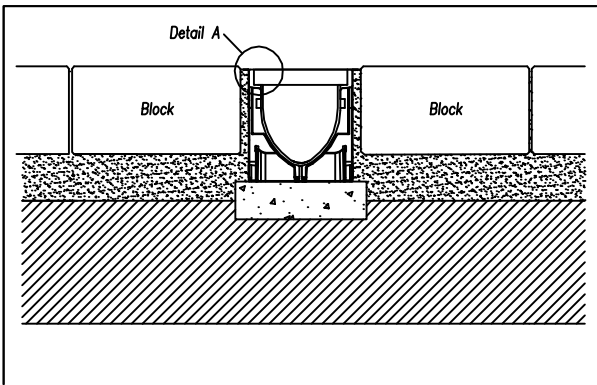
ASPHALT PAVEMENT



CONCRETE PAVEMENT OR BLOCK PAVING



LOAD CLASS A15



1.0 **GROUND CONDITIONS:** The customer should ensure that the minimum dimensions shown are suitable for the existing ground conditions. Engineering advice may be necessary.

2.0 **BLOCK PAVEMENTS: THE CHANNEL MUST BE SUPPORTED LATERALLY** and therefore blocks must be restrained from movement by bedding securely. e.g. by using an Epoxy or Polymer Modified Mortar for bed and perpendicular joints. (for example RONAFIX Mortar Mix C or similar: From Ronacrete Tel 01279 638700). Engineering advice may be required.

3.0 **SURFACE CRACKS:** Alternate crack control and movement joints transversely within bed and haunch may reduce unsightly surface cracking. Engineering advice may be required.

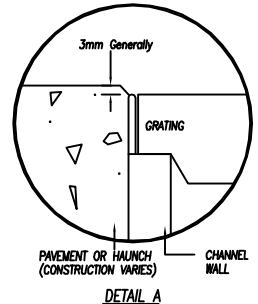
4.0 **JOINT SEALANT:** Where ACO Drain channels are to be installed with watertight joints, e.g. where used in foul water or chemical applications, use a suitable proprietary sealant such as Sikaflex 11FC or Degussa Masterflex 472 (or consult a specialist sealant manufacturer on sealant type and application). The sealant may be applied to the groove after channel installation. Guidance on the surface preparation and priming of the units shall be sought from the sealant manufacturer.

5.0 **SURFACE PROTECTION:** In asphalt pavements avoid contact between compaction equipment and channel/grating. This may be achieved by ensuring that the finished surface level lies above the grating level (by at least 3mm). Stones should be removed from grating prior to laying/rolling wearing course.

6.0 **GENERAL INSTALLATION NOTES:** See drawing E1-E01-003-3 for general notes on installation.

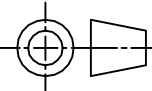
7.0 **CONCRETE BED AND SURROUND:** For Load Class A15, the channel is to be bedded on a suitable base according to the ground conditions. For Load Class B125 and C250, a concrete bed and surround is required. **GRATINGS MUST BE FITTED BEFORE CONCRETING.**

	A15	B125	C250	D400
X	-	Min 150	Min 150	Min 200
Y	-	150 (less Y ₂ if necessary)		
Y ₂	-	Max 80	Max 25	Max 25
Y ₃	-	Max 105	Max 60	Max 60
Z	-	Min 150	Min 150	Min 200
Minimum Concrete Compressive Strength		25 N/mm ²	25 N/mm ²	30 N/mm ²



D	24.04.08	Note 7 amended	ZG
C	23.04.08	Block paving details amended. Note 7 amended	ZG
B	26.03.08	Note 7 amended	ZG
Issue	Date	Description	Name

Material:	n/a	Weight:	n/a	 ACO Business Park Hitchin Road, Shefford, Bedfordshire, SG17 5TE. Tel: 01462 816666 Web site: www.aco.co.uk
Tolerance:	n/a	Surface Finish:	n/a	

	Date	Name	Scale: 1:10	Unit: mm	Projection: ISO-E 	Information contained in this drawing is copyright property of ACO Drain. Any reproduction in part or whole without written permission of ACO Drain is prohibited
Drawn:	22.01.08	ZG				
Checked:	24.04.08	JC				
Update:	24.04.08	ZG				

Title	ACO MULTIDRAIN PPD CHANNEL INSTALLATION - LOAD CLASS A15 TO D400	Drawing No.	E1 E01-045-3	Issue	D
-------	---	-------------	----------------	-------	---

Part No.	Replacement for: n/a
	Replaced by: n/a