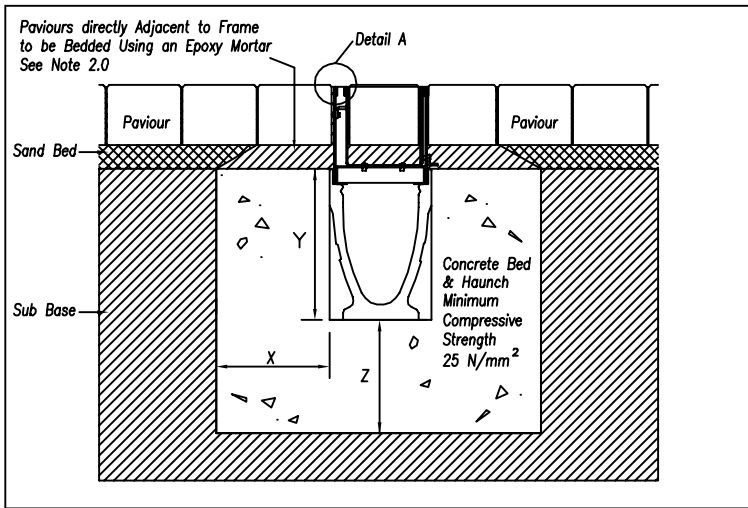
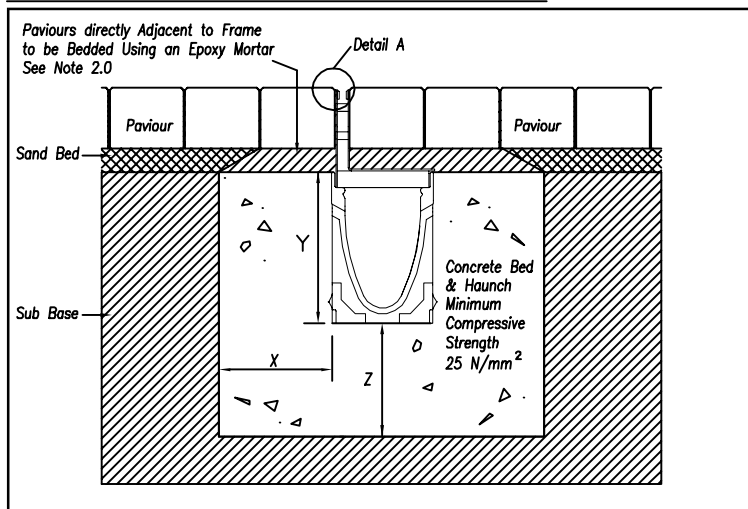


BRICKSLOT INSTALLATION DETAIL FOR CHANNELS WITH ACCESS COVERS/SUMP TOPS



BRICKSLOT INSTALLATION DETAIL FOR CHANNELS WITH STANDARD BRICKSLOT TOPS



1.0 GROUND CONDITIONS: The customer should ensure that the minimum dimensions shown are suitable for the existing ground conditions. Engineering advice may be necessary.

2.0 BLOCK PAVEMENTS: THE CHANNEL MUST BE SUPPORTED Laterally and therefore blocks must be restrained from movement by bedding securely. e.g. by using an Epoxy or Polymer Modified Mortar for bed and perpendicular joints. (for example RONAFIX Mortar Mix C or similar: From Ronacrete Tel 01279 638700). Engineering advice may be required.

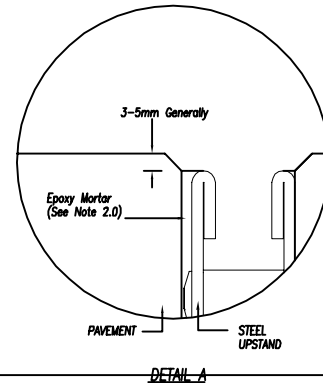
3.0 JOINT SEALANT: Where ACO Drain channels are to be installed with watertight joints, e.g. where used in foul water or chemical applications, use a suitable proprietary sealant such as Sikaflex 11FC or Degussa Masterflex 472 (or consult a specialist sealant manufacturer on sealant type and application). The sealant shall be applied to the end face of the channel units. Guidance on the surface preparation and priming of the units shall be sought from the sealant manufacturer, noting that the preparation of an ACO Polymer Concrete surface is likely to be the same as the requirement for cement concrete.

4.0 GENERAL INSTALLATION NOTES: See drawing E1-E01-003-3 for general notes on installation. Note that if sub base is a concrete slab expansion joints will be required.

5.0 Concrete Surround: Minimum Dimensions
(See also Note 1.0)

| Load Class | C250 | D400 |
|------------|------------------|------|
| Minimum X | 150 | 200 |
| Minimum Y | Depth of Channel | |
| Minimum Z | 150 | 200 |

6.0 Slot Height is 105mm to suit maximum block height of 100mm.



| | | | |
|-------|----------|--------------|------|
| C | 16/10/13 | M200D Added | KS |
| B | 17/1/08 | M150D Added | ZG |
| A | 26/4/07 | Detail Drawn | RJAB |
| Issue | Date | Description | Name |

| | | | | |
|------------|-----|-----------------|-----|--|
| Material: | n/a | Weight: | n/a | <p>ACO Business Park Hitchin Road, Shefford, Bedfordshire, SG17 5TE. Tel: 01462 816666 Web site: www.aco.co.uk</p> |
| Tolerance: | n/a | Surface Finish: | n/a | |

| | | | | | | |
|----------|---------------|------------|-------------|----------|-----------------------|---|
| Drawn: | Date: 26/4/07 | Name: RJAB | Scale: 1:10 | Unit: mm | Projection: ISO-E | Information contained in this drawing is copyright property of ACO Drain. Any reproduction in part or whole without written permission of ACO Drain is prohibited |
| Checked: | 16/10/13 | RK | | | | |
| Update: | 16/10/13 | KS | | | | |

| | | | | | |
|-------|---|-------------|----------------|-------|---|
| Title | ACO MULTIDRAIN M100D, M150D & M200D BRICKSLOT INSTALLATION (LOAD CLASS C250/D400) | Drawing No. | E1 E01-042-3 | Issue | C |
|-------|---|-------------|----------------|-------|---|

| | |
|----------|----------------------|
| Part No. | Replacement for: n/a |
| | Replaced by: n/a |