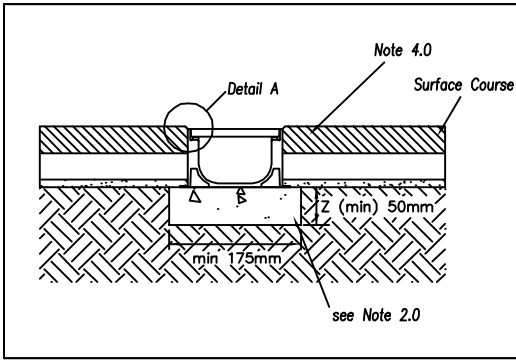
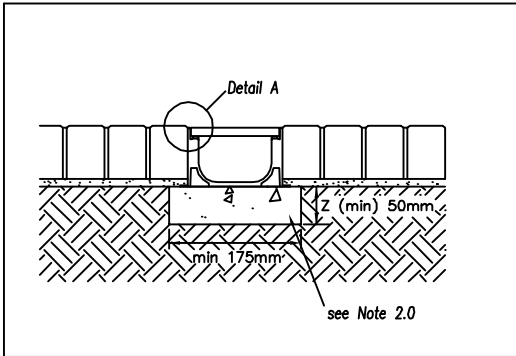


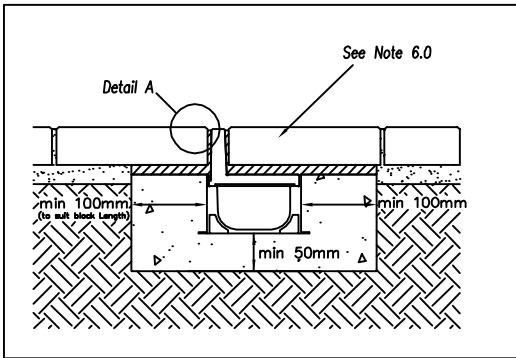
ASPHALT PAVEMENT



BLOCK PAVEMENT



HexDrain Brickslot



1.0 GROUND CONDITIONS: The customer should ensure that the minimum dimensions shown are suitable for the existing ground conditions. Engineering advice may be necessary.

2.0 CONCRETE BEDDING
The concrete bedding is to have a minimum compressive strength 15N/mm² (e.g. mix ST3 to BS8500-1)

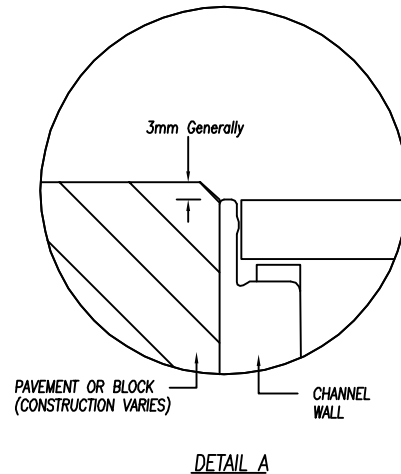
3.0 JOINT SEALANT: Where ACO HexDrain channel joints and fittings are to be sealed (where used in foul water applications or where impermeability is required, for example) contact a sealant specialist for guidance on the most appropriate sealing compound to use.

4.0 SURFACE PROTECTION: In asphalt pavements avoid contact between compaction equipment and channel/grating. This may be achieved by ensuring that the finished surface level lies above the grating level (by at least 3mm). Stones should be removed from grating prior to laying/rolling wearing course.

5.0 GENERAL INSTALLATION NOTES: See drawing E1-E01-003-3 for general notes on installation

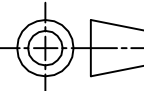
6.0 HEXDRAIN BRICKSLOT: First block to be laid as soldier course and bedded in polymer modified cement/sand mortar (as Ronafix Mortar Mix C or similar: from Ronacrete Tel. 01279 638700).

7.0 GRAVEL DRIVES. ACO HexDrain may be used on gravel drives as long as care is taken to prevent the gravel spreading onto the channel installation, as when in use point loadings may damage the grating and spread gravel may cause channel blockage.



C	16.6.09	Note 7.0 added	ZG
B	15.5.08	Hatching amended for clarity	ZG
A	30.7.07	HexDrain Brickslot added	ZG
Issue	Date	Description	Name

Material:	n/a	Weight:	n/a	 <p>ACO Business Park Hitchin Road, Shefford, Bedfordshire, SG17 5TE. Tel: 01462 816666 Web site: www.aco.co.uk</p>
Tolerance:	n/a	Surface Finish:	n/a	

	Name	Date	Scale: 1:10	Unit:	Projection: ISO-E 	Information contained in this drawing is copyright property of ACO Drain. Any reproduction in part or whole without written permission of ACO Drain is prohibited
Drawn:	RJAB	9.1.07		mm		
Checked:	JC	16.6.09		Project No. n/a		
Update:	ZG	16.6.09				

Title	ACO HexDrain INSTALLATION FOR LOAD CLASS A15		Drawing No.	E1 E01-037-3	Issue	C
-------	---	--	-------------	----------------	-------	---

Part No.	Replacement for:	n/a
	Replaced by:	n/a