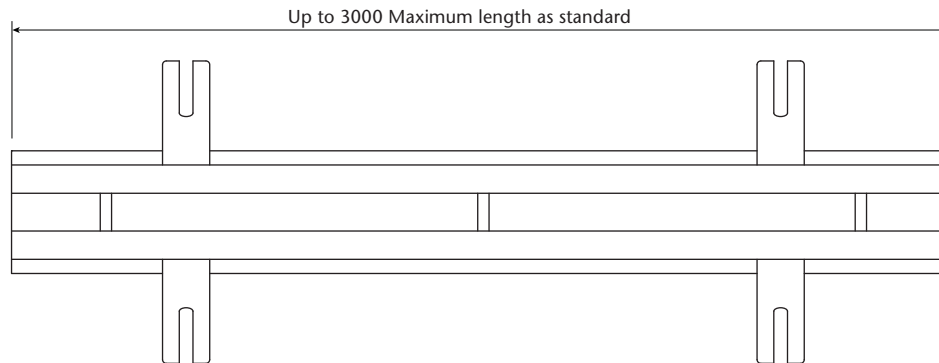
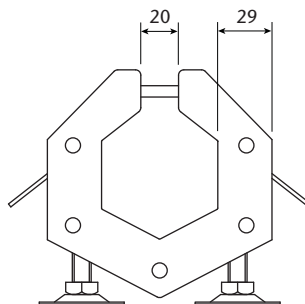
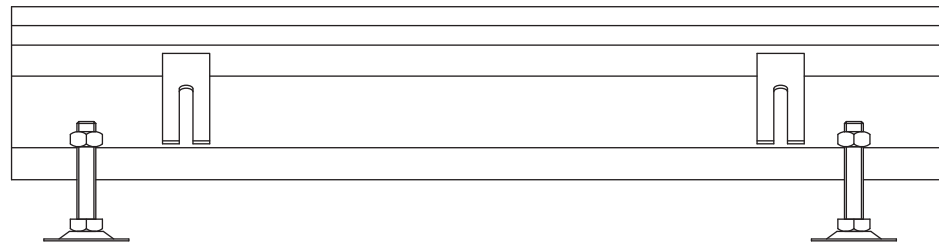
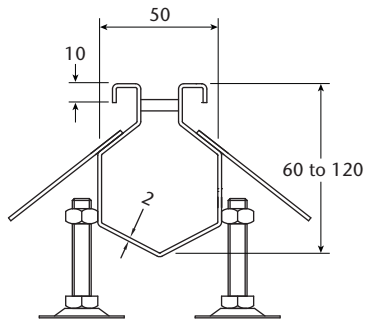


ACO Bespoke Drainage

Stainless Steel Systems

AS601 Slot Channel



Please Note: If channel depth is greater than channel bore then a 'V' bottom will be incorporated.

All dimensions are in mm.



AS601 Slot Channel

- Discrete slot channel
- Visible width 50mm
- Slot 20mm
- Interfaces with ACO Vinyl Seal
- Grades 304 or 316
- Pedestrian load class

ACO Building Drainage A division of ACO Technologies plc

ACO Business Centre, Caxton Road, Bedford, Bedfordshire MK41 0LF
Tel: 01462 816666 Fax: 01462 851490 e-mail: buildingdrainage@aco.co.uk
www.acobuildingdrainage.co.uk

AutoCad drawings available to download on the website.

 **ACO** *building
drainage*