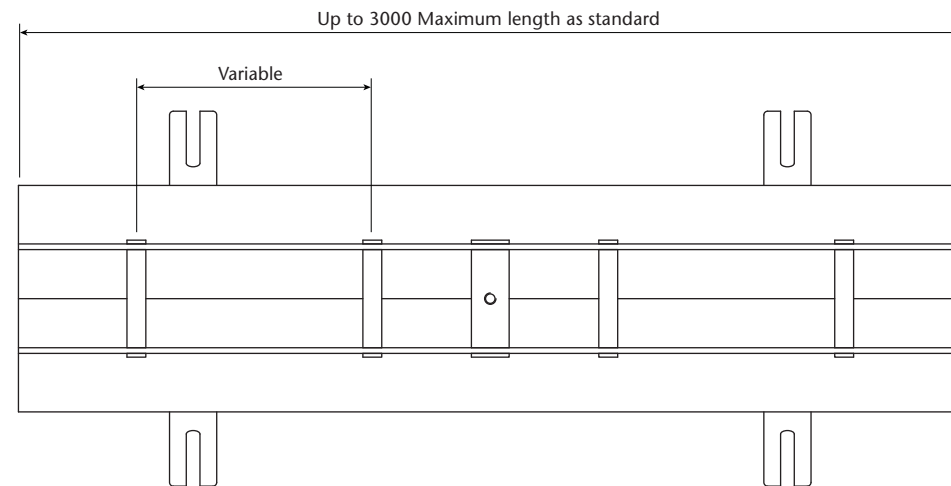
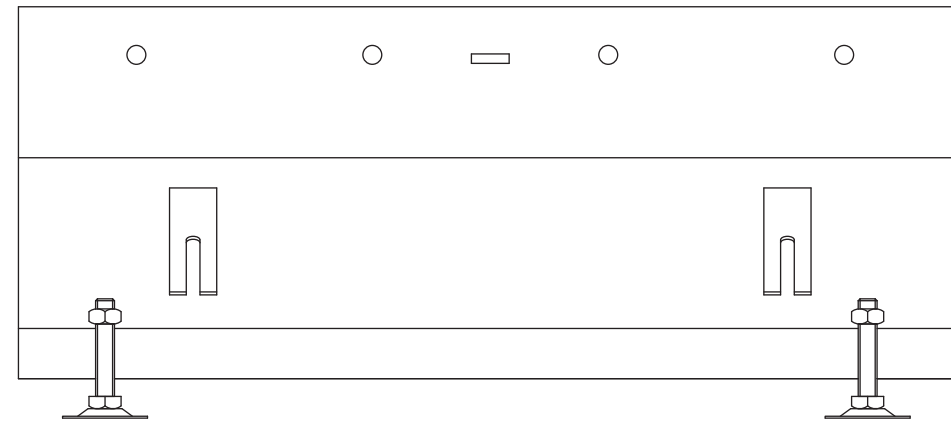
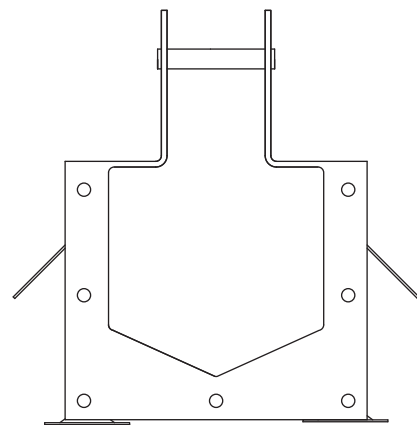
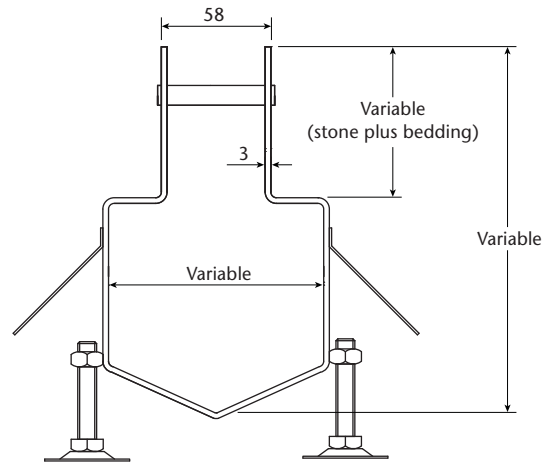


ACO Bespoke Drainage Stainless Steel Systems

AS1001 Discrete Channel



Please Note: If channel depth is greater than channel bore then a 'V' bottom will be incorporated.
All dimensions are in mm.



AS1001 Discrete Channel

- 50mm wide channel throat provides cleaning jet access
- Conventional bore for high capacity
- Heel safe gratings for safety and enhanced aesthetics
- Grades 304 or 316
- Available radius version
- Ideal for external prestige applications

ACO Building Drainage A division of ACO Technologies plc

ACO Business Centre, Caxton Road, Bedford, Bedfordshire MK41 0LF
Tel: 01462 816666 Fax: 01462 851490 e-mail: buildingdrainage@aco.co.uk
www.acobuildingdrainage.co.uk

AutoCad drawings available to download on the website.

 **ACO** *building
drainage*