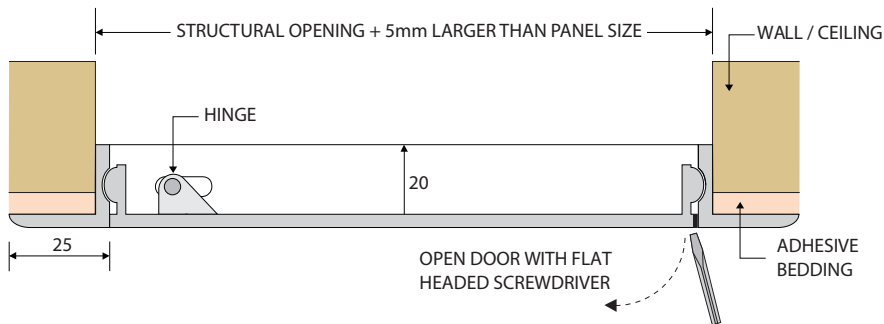


APD.PLAS WALL ACCESS PANEL - PLASTIC



SPECIFICATION

DESCRIPTION	Plastic - 25mm Picture Frame
FIRE RATING	Non fire-rated made from wholly non-combustible materials.
COMPOSITION	3mm Thick High Impact Styrene Plastic with U.V. stabilizers. The High Impact Styrene Plastic with U.V. stabilizers will not fade or corrode. Door has rounded safety corners. White textured exposed surfaces, which allow for painting. Available in five sizes.
FRAME TYPE	25mm Picture frame for retrofit.

INFORMATION

The Plastic Access Panel is designed to fit into any wall and ceiling where access is required to stopcocks, pipes etc. Or simply used to fill unsightly holes, saving the need for expensive repairs. The high impact styrene plastic with U.V. stabilizers will not fade or corrode.

- Easy installation
- 3mm thick High Impact Styrene Plastic with U.V. Stabilizers
- Door has rounded safety corners
- White textured exposed surfaces, which allow for painting
- Available in five sizes

DIMENSIONS

Please ensure that on installation of the access panel, the actual size of structural opening in the wall/ceiling needs to be 5mm larger than the overall panel size e.g. structural opening for 558 x 558 will be 563 x 563 (See sizes below).

Sizes		Structural Opening	
(x)	(y)	(x)	(y)
102	152	107	157
152	228	157	233
203	203	208	208
300	300	305	305
355	355	360	360
558	558	563	563

FITTING INSTRUCTIONS

1. Cut an opening in the wall or ceiling approximately 10mm larger than door size.
2. Apply caulking adhesive to back of frame.
3. Making sure the frame is level and plump, press door and frame into opening.
4. Allow adhesive to set before opening access panel door.