

# ABL

FASTER  
TIDIER  
SMARTER



# GLIDE

monitor arm system

in conjunction with  
VELVÆRE®

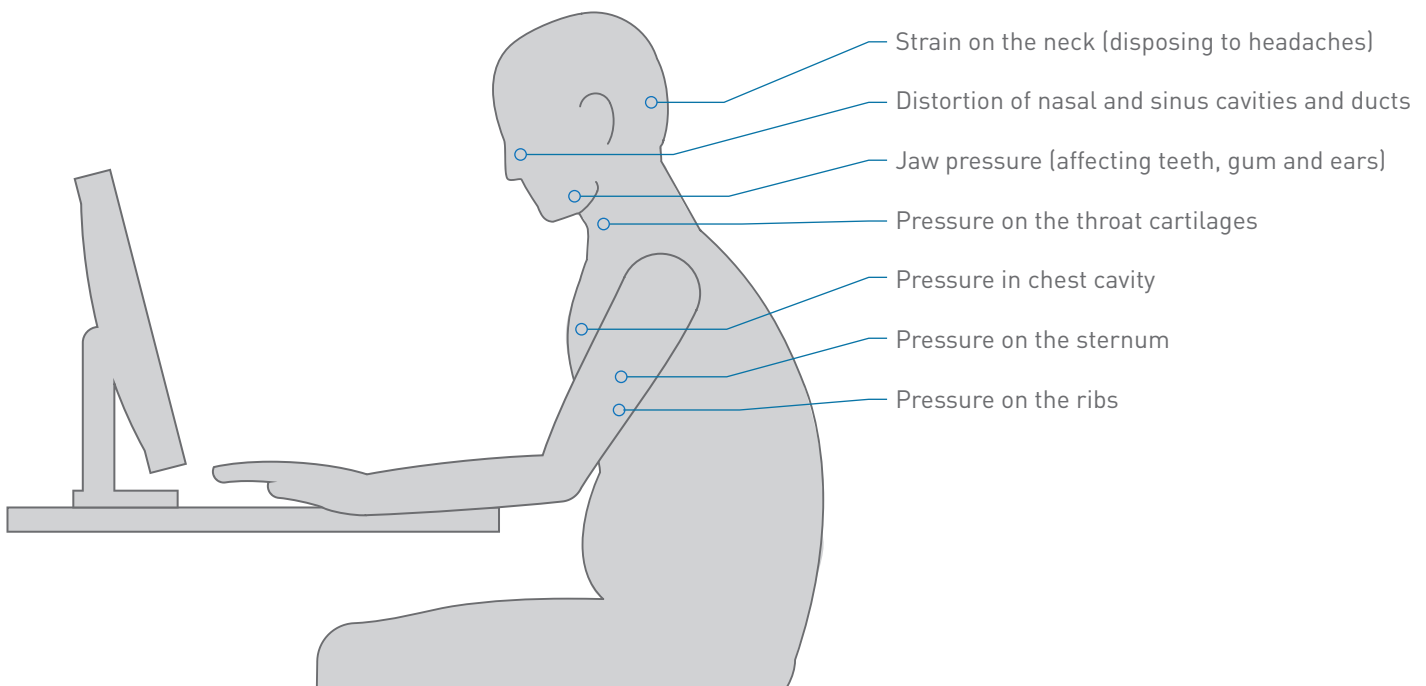


# CONTENT

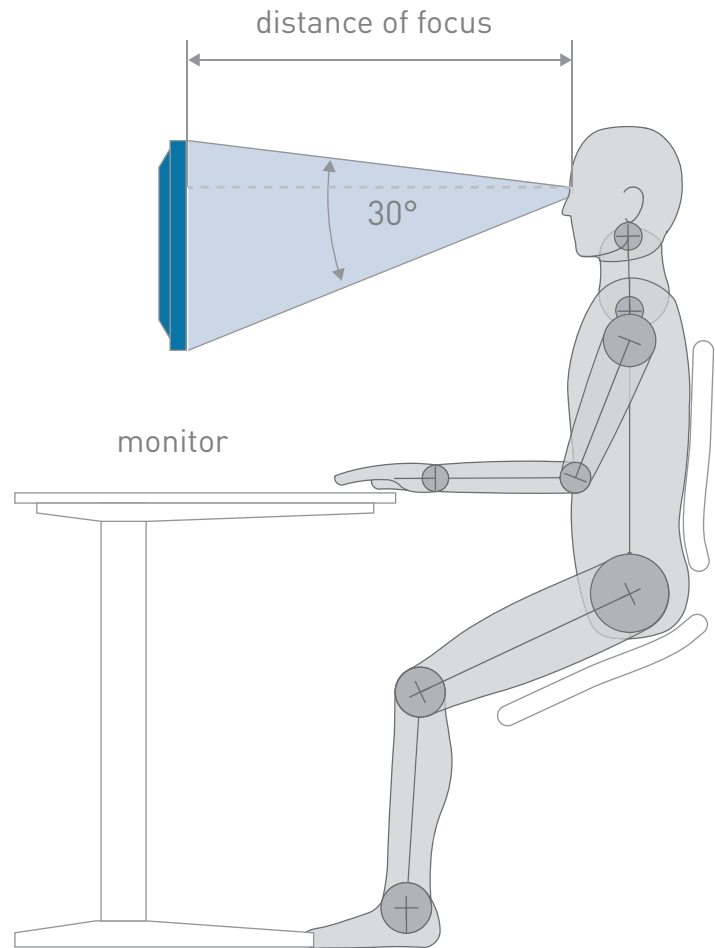
PROBLEM	3
SOLUTION	4
LINK	5   6
MOUNT	7
VESA	8
COLOURS	9
ACCESSORIES	10
RANGE	11   12

# PROBLEM

Number one cause of lower neck pain is monitor position



# SOLUTION



It is well established that the centre of a screen needs to be positioned at eye level.

This allows the user to overcome neck and upper spine problems. It also addresses critical distance between the human eye and the screen.

# GLIDE MONITOR ARM SYSTEM



The GLIDE dynamic arm solution offers a full range of adjustability and is capable of holding a range of devices.

# LINKS



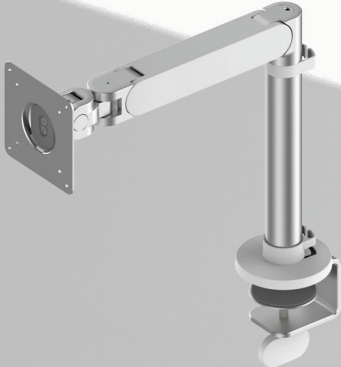
Pole Mount Link

---



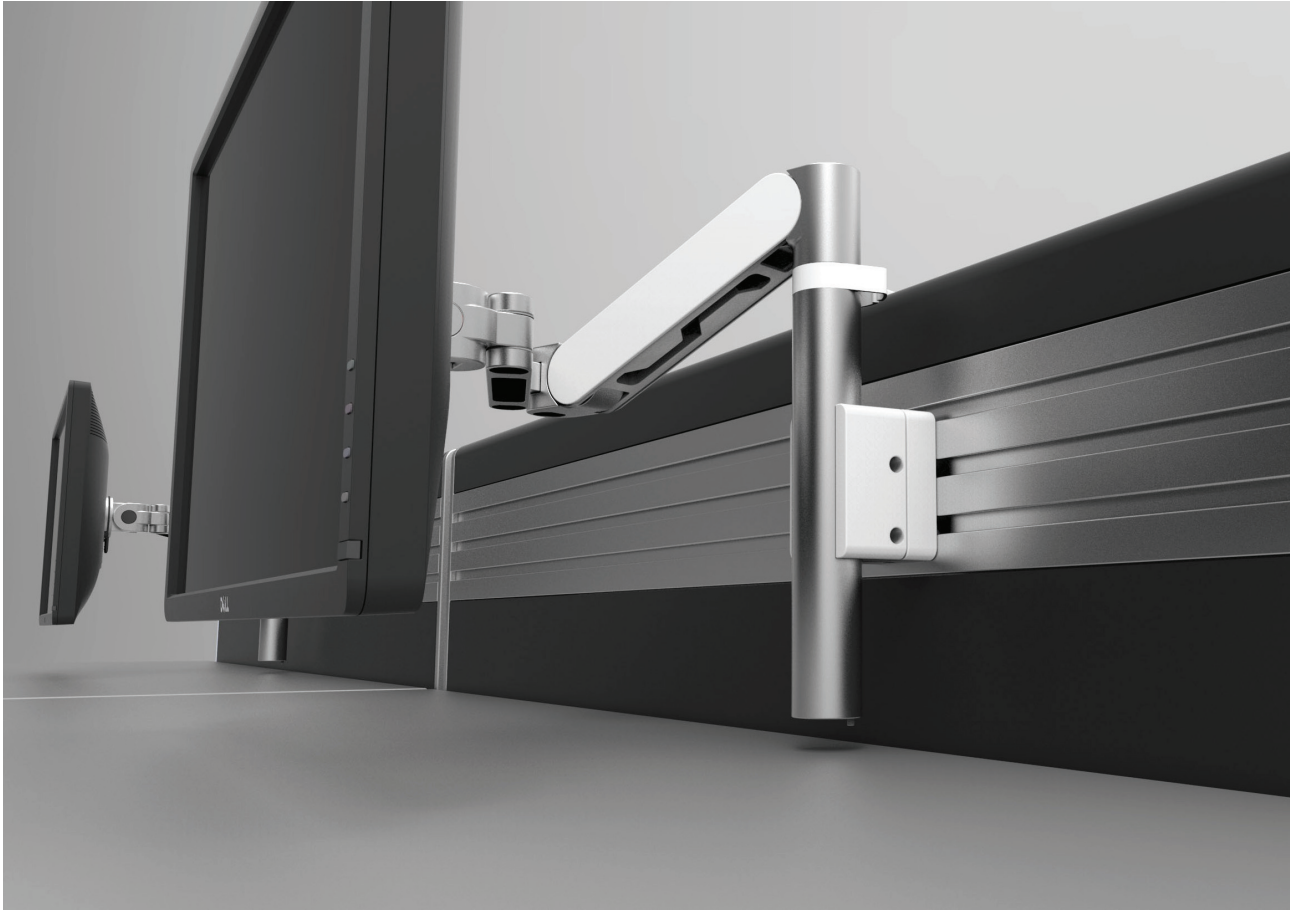
Fixed Link

---



Adjustable Link

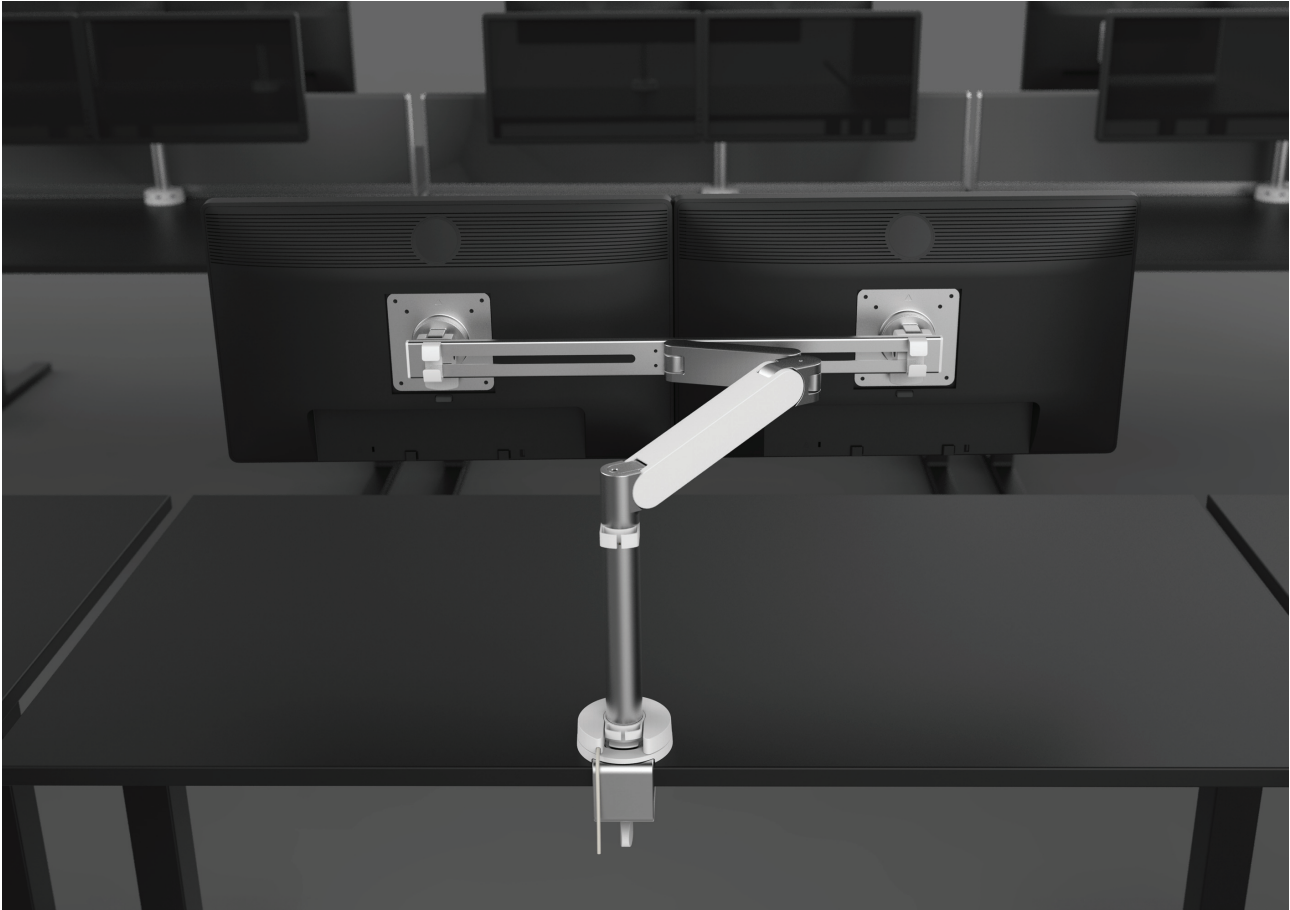
---



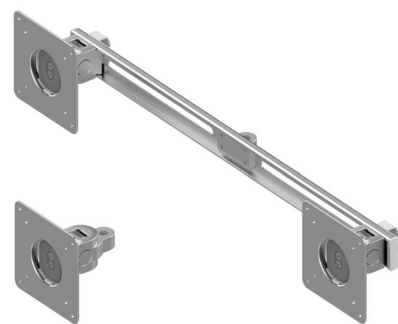
## MOUNT



A full range of mounting solutions are available from C-Clamp, Grommet and Slatwall.



## VESA



Following the industry standard Vesa mounts. Both single and dual mounting systems are available.

# COLOURS

5 standard colour options available.  
Customised colours are available for large  
quantity orders.



white



silver | white



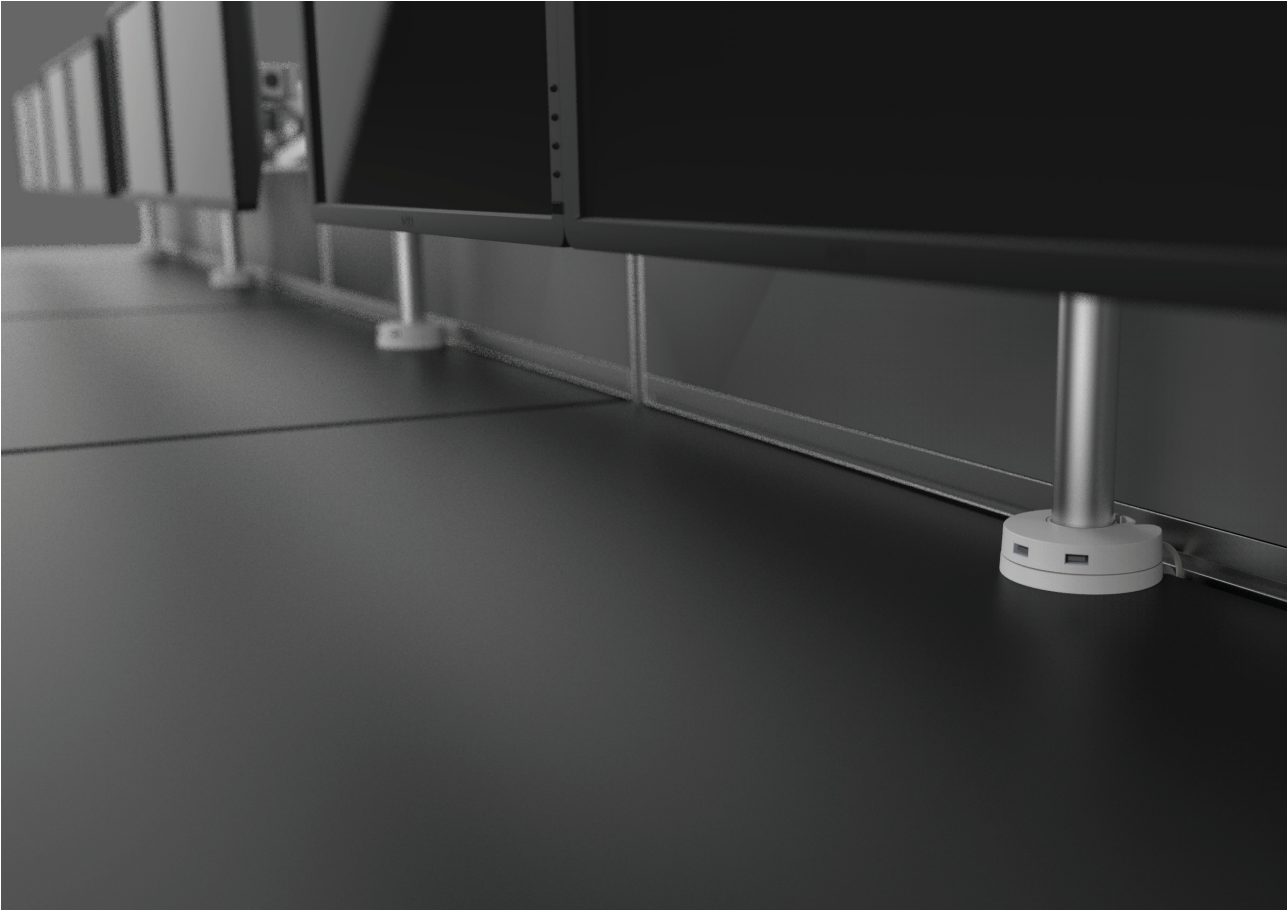
black



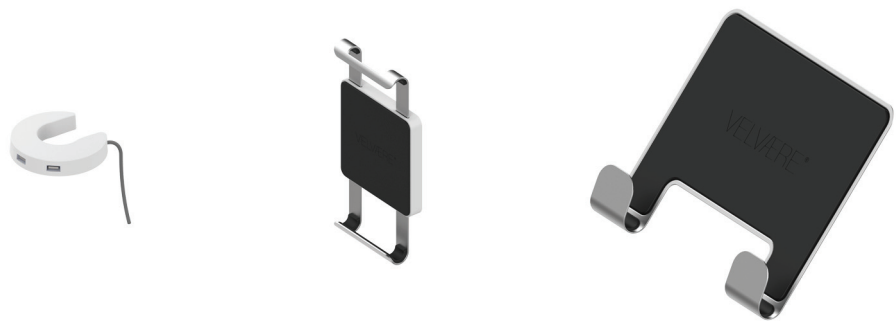
black | green



black | blue



## ACCESSORIES



A growing portfolio of **GLIDE** dynamic monitor arm accessories are available. Currently includes USB hub, tablet holder and laptop holder.

# RANGE

Pole Mount Link



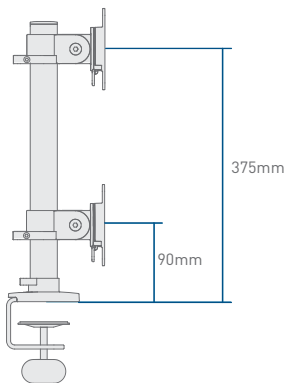
Weight 6.6 lb  
3,0 kg      Load 20 lb  
9 kg

Fixed Link

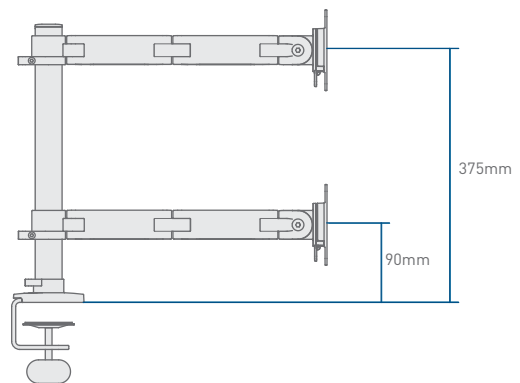


Weight 8.8 lb  
4,0 kg      Load 20 lb  
9 kg

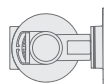
Height range  
side view



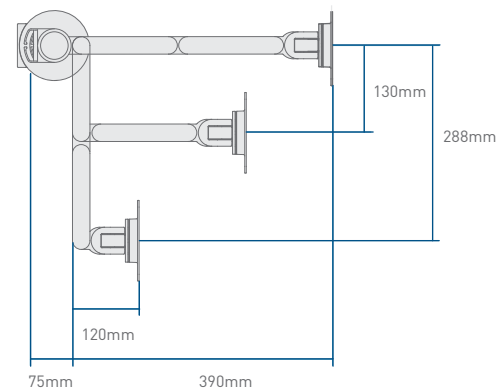
Height range  
side view



Width and depth range  
top view



Width and depth range  
top view



---

### Adjustable Link



Weight 8.6 lb  
3,9 kg      Load 4 lb - 20 lb  
1,8 kg - 9 kg

---

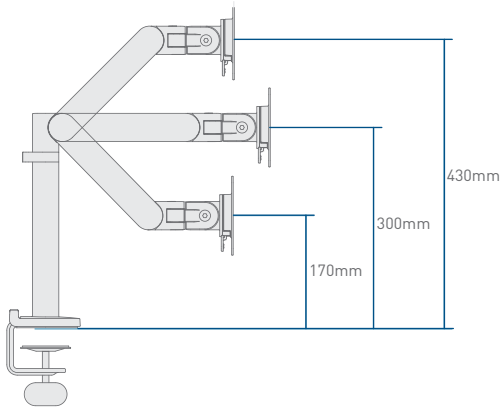
### Adjustable and fixed Link



Weight 9.5 lb      Load 4 lb - 20 lb  
4,3 kg            1,8 kg - 9 kg

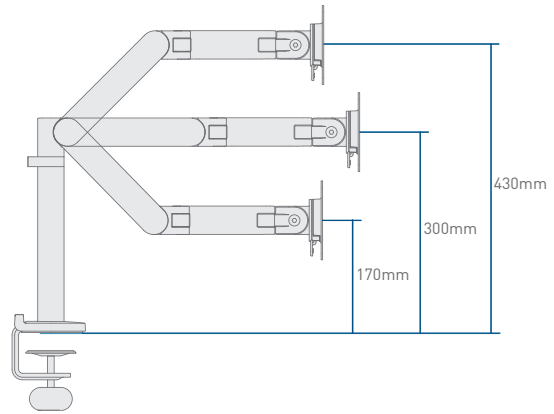
---

### Height range side view



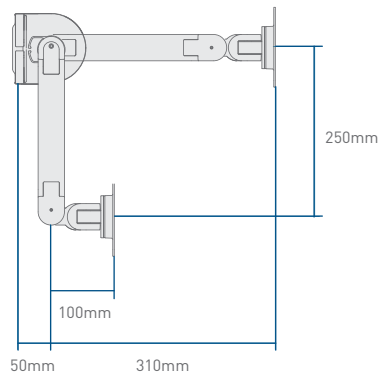
---

### Height range side view



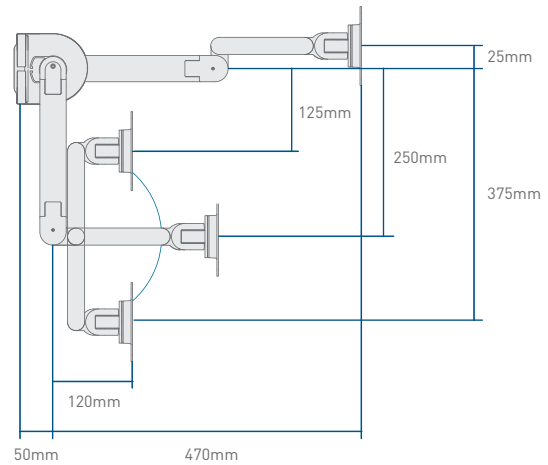
---

### Width and depth range top view

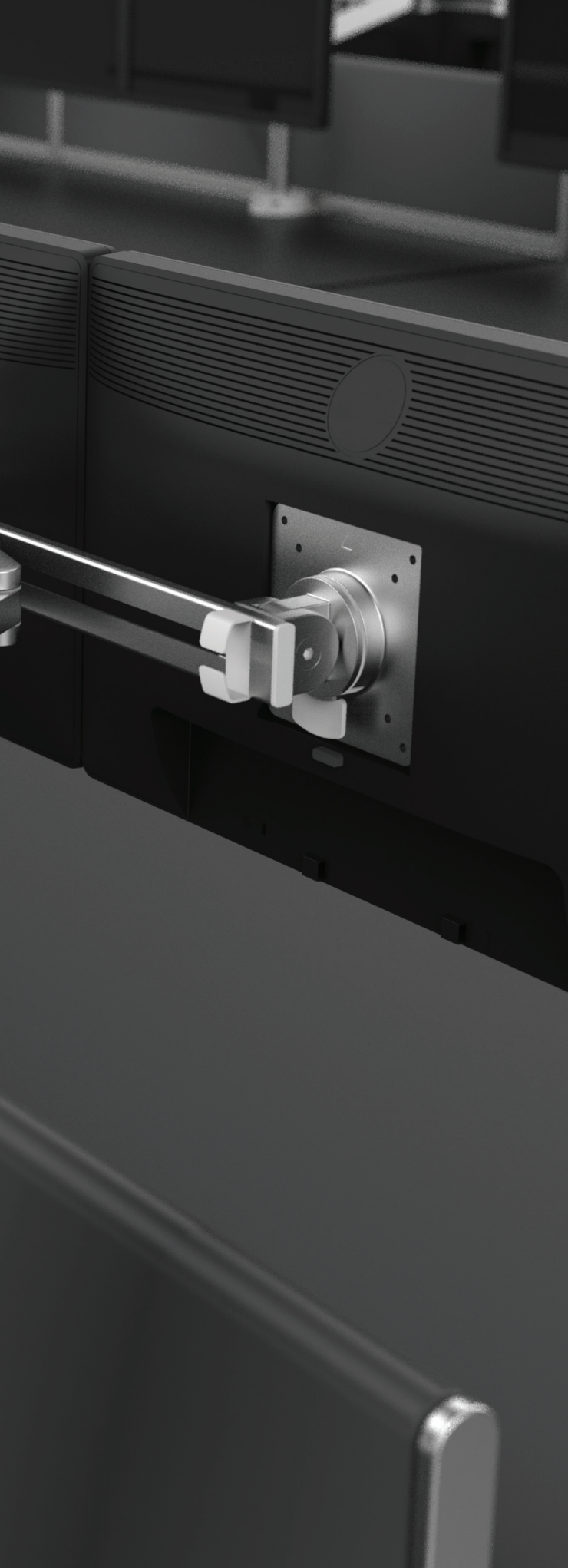


---

### Width and depth range top view







GLIDE  
MONITOR  
ARM  
SYSTEM

## CONTACT

tel 0800 082 1444  
e-mail [sales@accbitltd.co.uk](mailto:sales@accbitltd.co.uk)



[WWW.ABL-UK.COM](http://WWW.ABL-UK.COM)