

## HIGH PERFORMANCE ANTISLIP ANTIWEAR CAST METAL STAIR NOSING



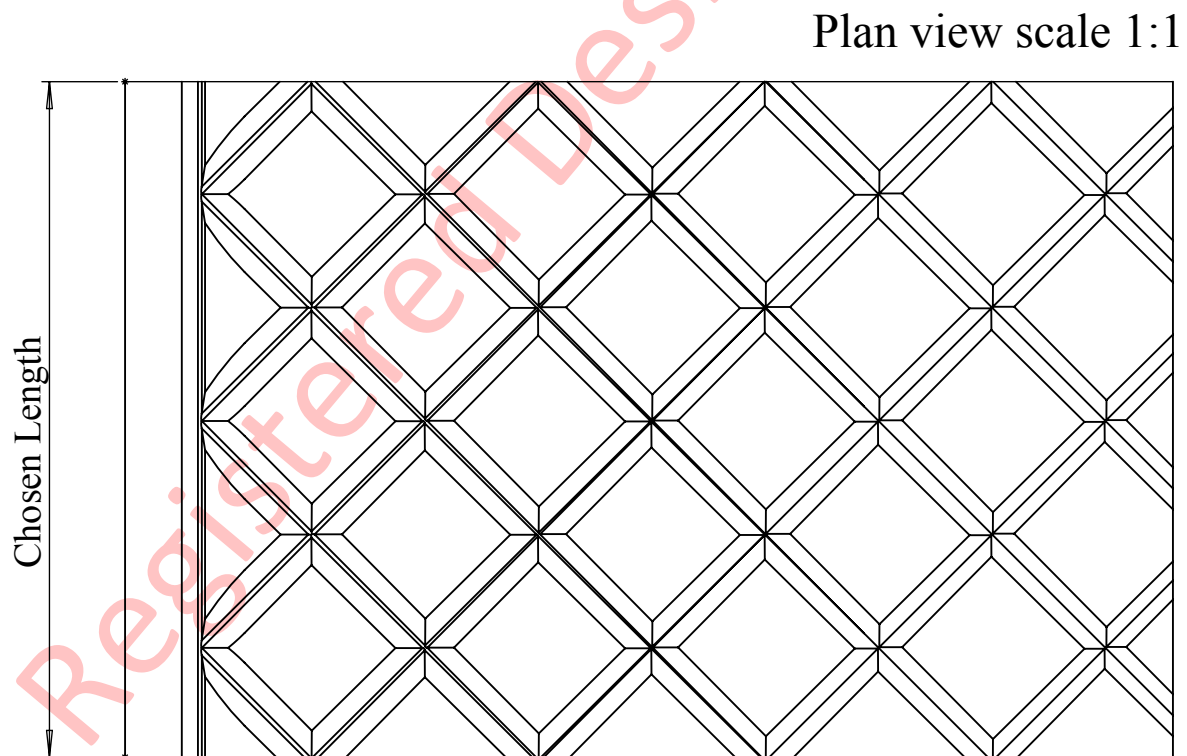
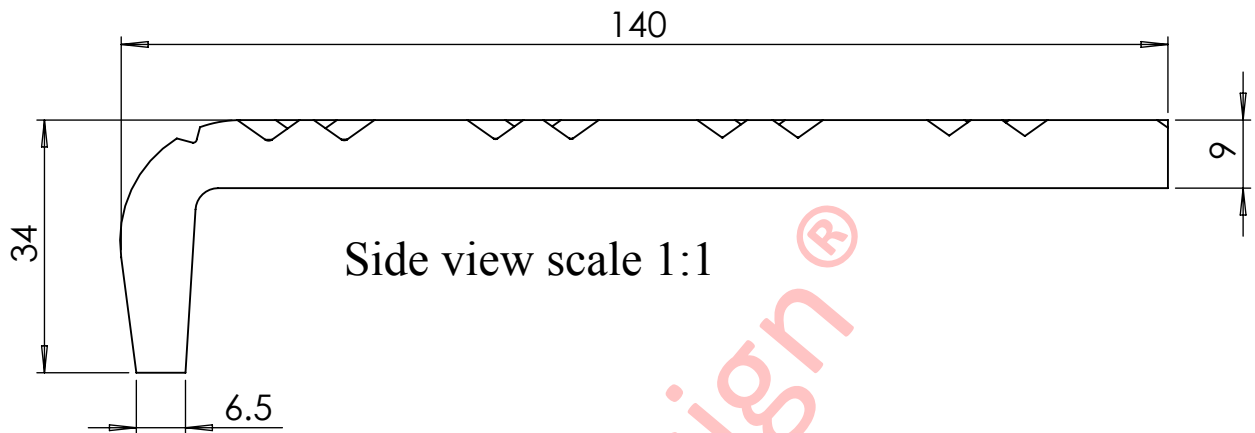
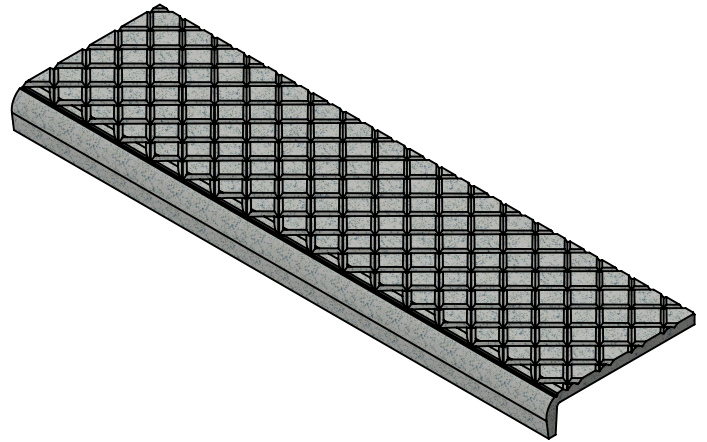
DATA SHEET: SN6/HDLT/140®	
DATE: Oct 2013	ISSUE: 2
ITEM: Stair Nosing	

**Item:** AATi™ type SN6/HDLT/140® - HDLT™ stair nosing with silicon carbide granules cast into the metal matrix of the wearing surface.

**Application:** Heavily used public stairs where safety and durability are required. Special surface finish and unique tapered groove pattern ensures safety in wet and dry conditions. Being a heavy duty product it provides the mass, stiffness and robustness necessary to consistently ensure a dependable, high quality, cost effective and long term installation.

**Materials:** Nickel Bronze, Gunmetal, Aluminium & Cast Iron.

**HDLT™ :** This is a registered design- Protected by European Registered Design No. 002178178-0001.



Special attention should be given to installation & drainage of this product. For further advice please speak to a member of AATi's technical department.

Dimensions shown are nominal and subject to AATi manufacturing tolerances.