

High Performance Antislip Antiwear Cast Metal Stair Nosing



Specialists in pedestrian surfaces

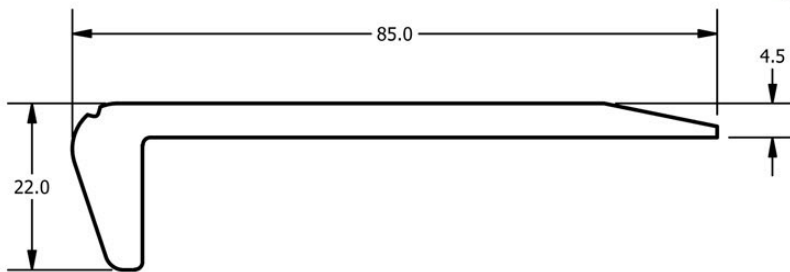
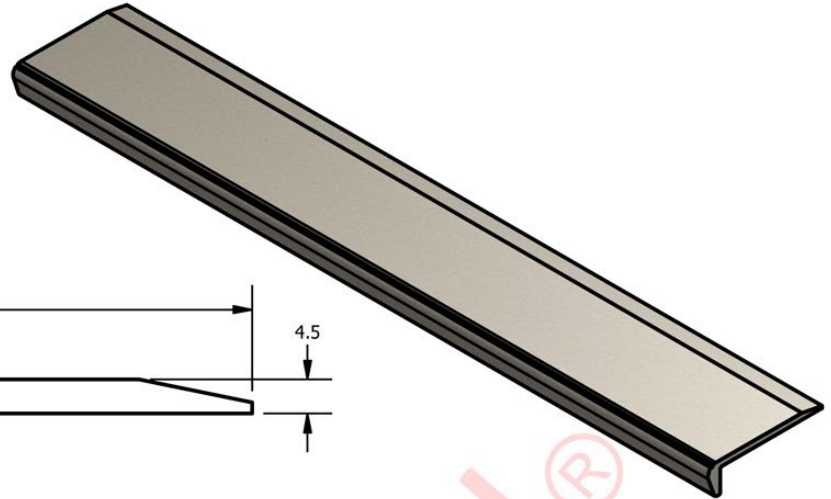
Data Sheet: SN22P/85/BBE	
Date: Apr 2011	Issue: D
Item: Stair Nosing	

Item: Type SN22P/85/BBE stair nosing with silicon carbide granules cast into the metal matrix of the wearing surface.

Materials: Nickel Bronze, Gunmetal or Aluminium.

Application: For use on prestigious stairways which are covered with 'floatex' or similar type thin carpet. This nosing provides an attractive long life antislip feature for the stairway.

HDLT: This is a registered design - Protected by UK Registered Design No. 2,530,171



All dimensions in mm,

Special Note: This is a registered design and complies with the spirit of Document M, BS8300 and the requirements of the DDA