

8 WINDOWS & DOORS

1. Pre-fill any joints, gaps and cracks >6mm with a generous bead of Wraptite LF and allow to cure fully.
2. Fill remaining joints, gaps and cracks <6mm with Wraptite LF and smooth across the rough surface with a putty knife (Fig 6).
3. Finish door and window detailing by using either Wraptite Corners (Figs 7a,b) or a combination of Wraptite Tape and Wraptite LF (Figs 8a-d).

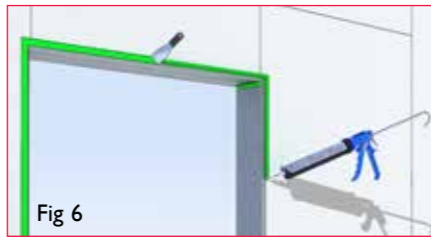


Fig 6

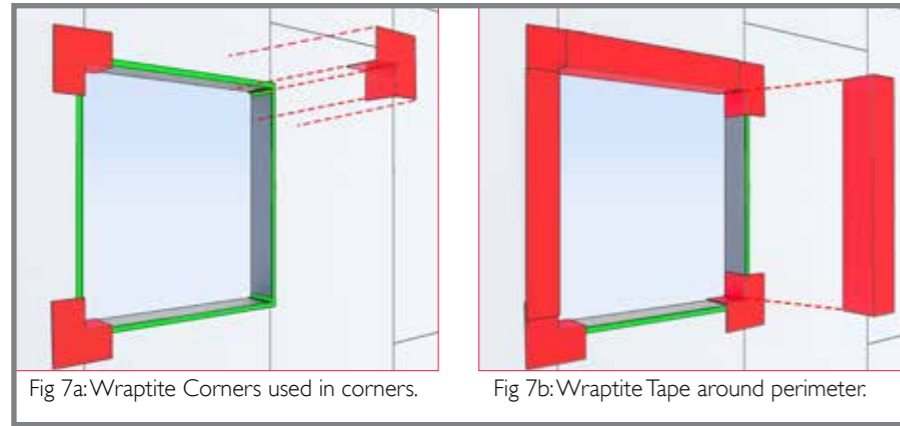


Fig 7a: Wraptite Corners used in corners.

Fig 7b: Wraptite Tape around perimeter.

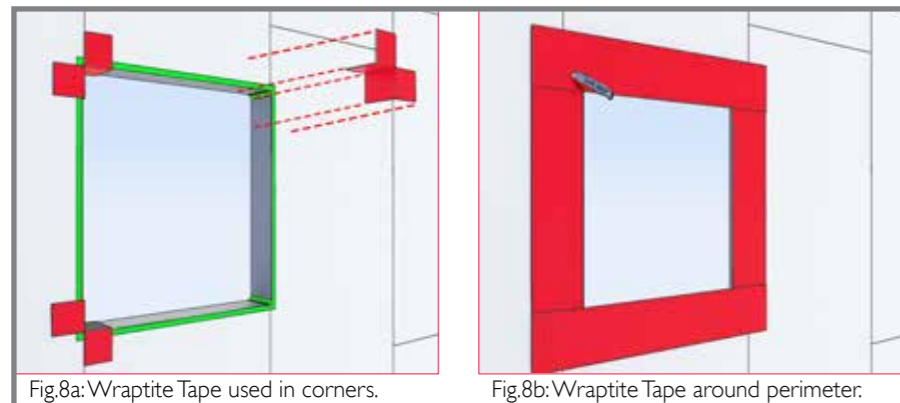


Fig.8a: Wraptite Tape used in corners.

Fig.8b: Wraptite Tape around perimeter.

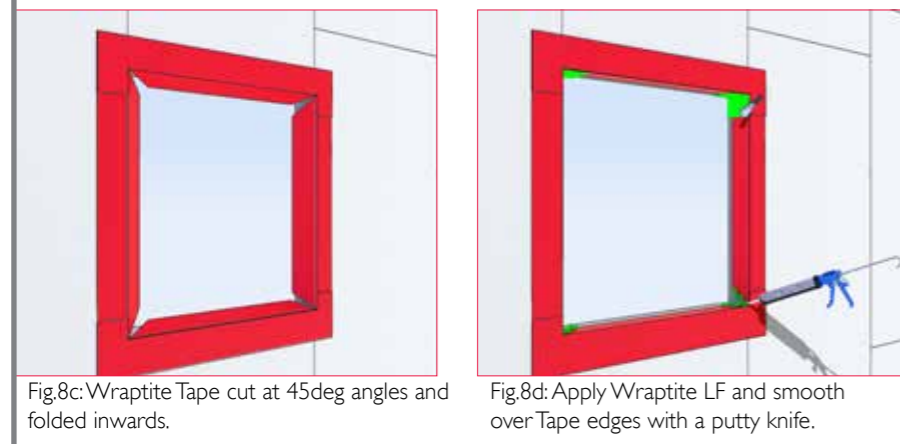


Fig.8c: Wraptite Tape cut at 45deg angles and folded inwards.

Fig.8d: Apply Wraptite LF and smooth over Tape edges with a putty knife.

9 WALL PENETRATIONS

1. Pre-fill any joints, gaps and cracks wider than 6mm with a generous bead of Wraptite LF and allow to cure fully.
2. Fill remaining joints, gaps and cracks less than 6mm with Wraptite LF and smooth across the rough surface with a putty knife (Figs 9a,b).

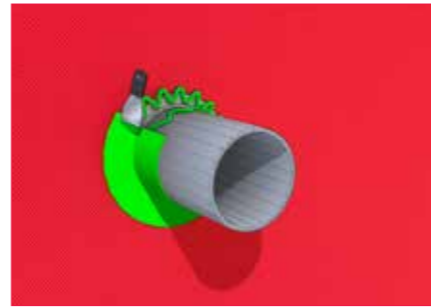


Fig.9a



Fig.9b

3. Install Wraptite self-adhering airtight membrane according to published guidelines and cut the membrane up to the edges of the wall penetration.
4. Apply a thick bead of Wraptite LF around the rough opening, applying it both to the structural wall and the base of the wall penetration.



5. Smooth Wraptite LF with a putty knife around the rough opening evenly. Ensure the spread width is 100-150mm and makes contact with both the structural wall, wall penetration, and Wraptite membrane (Figs 10a,b).
6. Ensure the Wraptite LF layer is even and covers the entire rough opening with no pinholes, voids or damage.

Call our Technical Department

The A. Proctor Group has a dedicated Technical Department which can assist with installation details, view drawings for approval and give specialist advice on the correct use of the A. Proctor Group products.

For Technical Advice on installation details and product applications contact the A. Proctor Techline:

Telephone
01250 872261

Facsimile
01250 872727

Email
wraptite@proctorgroup.com



Scan here to download installation video

See installation video - www.proctorgroup.com/products/condensation-control/wraptite-sa

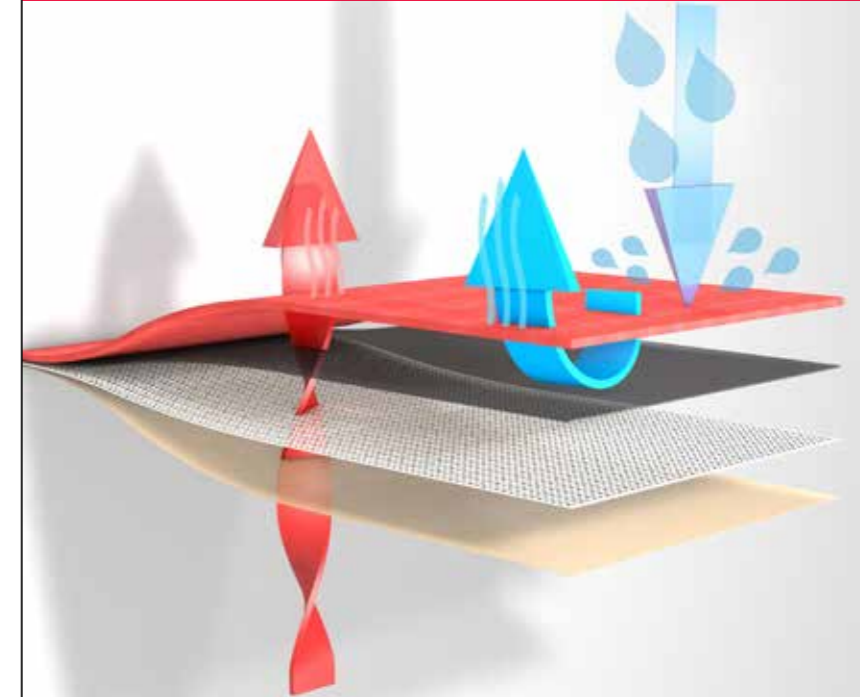
For more information contact us:

+44 (0) 1250 872261
www.proctorgroup.com

Revised March 2018



Wraptite® Membrane & Accessories



INSTALLATION GUIDE



I OVERVIEW

WRAPTITE MEMBRANE, TAPE & CORNERS

- Wraptite is an externally applied fully adhered vapour permeable Weather Resistant Barrier/Air Barrier membrane.
- Wraptite consists of a triple layer polypropylene micro-porous film laminate, with a proprietary acrylic moisture vapour permeable adhesive and silicone-coated PET release liner.
- Wraptite bonds easily to multiple substrates. Primer is not required.
- Wraptite must not be applied in areas where it will be permanently exposed to UV light e.g. behind open-jointed cladding.
- Adhesive curing time = approx. 6hrs depending on environmental conditions.

WRAPTITE LIQUID FLASHING (LF)

- Wraptite Liquid Flashing (LF) is a high-quality, gunable, low-odour, elastomeric, polyether, liquid-applied flashing and detailing membrane.
- Wraptite LF bonds easily to multiple substrates. Primer is not required.
- Wraptite LF is compatible with the entire range of A. Proctor Group's vapour permeable products and is ideal for use in complex details. May also be used to protect the leading edge of Wraptite membrane, tape and corners from water ingress if those edges cannot be protected by overlapping in a shingle fashion.
- 1x 600ml Wraptite LF sausage covers approx. 1.4 - 1.8m². Coverage rates will vary depending on the substrate.
- Product skins within 30 minutes at 21°C (71°F) and 50% relative humidity.
- Wraptite LF is moisture curing. Low temperatures + low relative humidity slows drying time. High temperatures + high relative humidity accelerates drying time.

2 TOOLS REQUIRED

Membrane

- Utility Knife
- Rubber Roller
- Stiff Brush
- Marker Pen
- Measuring Tape
- Scissors

Liquid Flashing

- Barrel Sealant Gun
- Putty Knife
- Clean Cloth

3 SUBSTRATE PREPARATION

- Substrate condition is critical to the adhesive performance of any self-adhered membrane or liquid-applied flashing.
- Surfaces must be clean, dry and free from all bond-breaking contaminants, sharp protrusions or other matter that may hinder adhesion to the substrate. Clean any loose dust or dirt from the substrate by wiping with a clean dry cloth or brush. Remove and replace any damaged structural wall components.

WRAPTITE MEMBRANE, TAPE & CORNERS

- Can be applied to various substrates including:
 - > Aluminium (Painted or Mill Finish)
 - > Anodised Aluminium
 - > Concrete Block
 - > Exterior Grade Gypsum / Fibre Board
 - > Galvanised Metal
 - > In-Situ Concrete
 - > OSB
 - > Precast Concrete
 - > Pre-Painted Steel
 - > Rigid Vinyl
 - > Steel
 - > Plywood

PRIMER IS NOT REQUIRED

WRAPTITE LIQUID FLASHING (LF)

- Can be applied to various substrates including:
 - > Aluminium (Painted or Mill Finish)
 - > Concrete
 - > Vinyl
 - > Brick
 - > Wood
 - > Exterior Sheathing Boards

4 INSTALLATION: BEST PRACTICE GUIDE

WRAPTITE MEMBRANE, TAPE & CORNERS

- Building design requirements should be considered prior to application of Wraptite to minimise waste. Penetrations/openings will need to be correctly detailed to ensure a weather and air tight installation.
- Keep Wraptite in the original packaging which also functions as a dispenser.
- Wraptite is easily cut to desired lengths and can be installed in either a vertical or horizontal orientation. Use a hand roller and stiff brush as illustrated to ensure a continuous and effective bond with the substrate.
- **IMPORTANT:** Failure to roller the membrane effectively may result in poor adhesion to the substrate.
- Always install with an overlap, with the upper courses lapped over lower courses. Wraptite installed around penetrations such as windows and doors must be installed in the correct sequence to ensure an overlapping "shingled" result.
- All horizontal and vertical overlaps must be a minimum of 75mm. Vertical overlaps should be staggered from floor-to-floor or separated by a horizontally applied Wraptite strip. Internal and external vertical corners should have a minimum overlap of 150mm.
- At the end of each working day, protect the leading edge of Wraptite with a temporary tarpaulin to ensure liquid water does not seep behind the membrane.
- Wraptite should only be applied in dry weather when air and surface temperatures are above 0°C. Do not install Wraptite in adverse weather conditions.
- Wraptite should be covered with external cladding within 90 days (North America) or 120 days (UK) during construction. If exceeding this limit is unavoidable, protect Wraptite from the elements with a tarpaulin.
- All walling and roofing membranes require protection from heavy/prolonged rainfall and extreme weather events while being installed. Waterproofing materials (e.g. tarpaulins) should be utilised as necessary to ensure the leading edges of all membranes and interior spaces are protected until the primary cladding and roofing is in place.

WRAPTITE LIQUID FLASHING

- Wraptite Liquid Flashing is not for use in place of Wraptite Membrane, as a structural sealant, or in locations below ground or that will be continuously in contact with water.

SUMMARY

- The following are instructions for a typical installation of the Wraptite System: Membrane, Tape, Corners & Liquid Flashing. It is important to review each application and be aware there may be situations that require modifications to the typical installation instructions to accommodate unique project requirements. Please contact the A. Proctor Group Technical Department for personalised assistance as required (details on back page).

5 HORIZONTAL INSTALLATION (TWO PERSON METHOD)

1. Snap chalkline for guidance.
2. Pre-cut material to required length.
3. Roll cut length with release paper outwards.
4. Starting at corner, peel back release paper by approx. 150mm.
5. Fold release paper back, and using hand roller or stiff brush, lightly apply the exposed glue surface to the prepared substrate. (see Fig.1)
6. Starting in the middle, use hand roller or stiff brush to smooth out any air bubbles, releasing the air to each side. (see Fig.2)

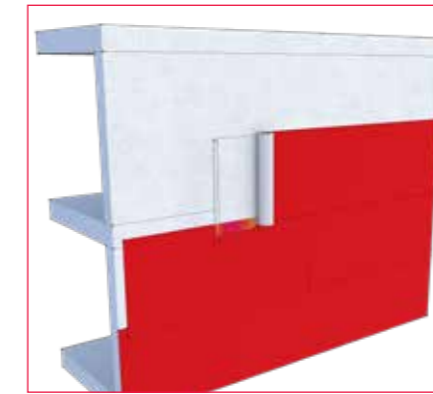


Fig.1 Staggered lap of horizontal installation of Wraptite membrane.



Fig.2 Roll Wraptite to release air bubbles and ensure membrane is well adhered.

6 VERTICAL INSTALLATION (SINGLE PERSON METHOD)

AS ABOVE POINTS 1-5

6. Allow rest of rolled up material to drop down - with release paper still attached. Check for proper alignment.
7. When aligned, use hand roller or stiff brush across the entire adhered section.
8. Drop roll down, pulling off release paper.
9. Smooth out air bubbles with stiff brush / roller (see Fig.2).
10. Proceed with next row, ensuring minimum 75mm overlap, always in shingled fashion (see Fig.3)



Fig.3 Staggered vertical installation of Wraptite membrane.

7 WRAPTITE TAPE INSTALLATION

1. Make sure surfaces are clean and dry prior to installing the tape.
2. Tape should be cut to length before removing the release liner. Sharp scissors are the best option for this to ensure a clean cut.
3. Try not to handle the adhesive side where possible, i.e. remove liner as tape is being installed directly onto substrate. Hands should also be clean and free from dust/dirt etc.
4. Tape should be well rolled onto substrate with particular attention to the sealing of the outer edges to ensure airtightness and adhesion.

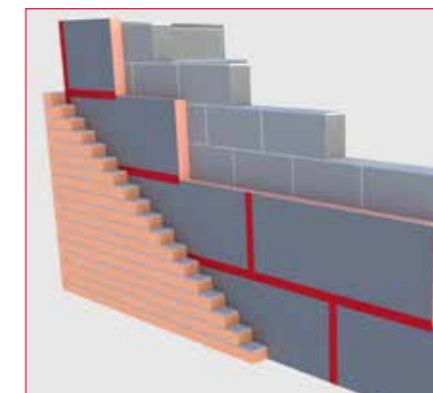


Fig.4 Wraptite Tape used to seal gaps between rigid insulation panels.

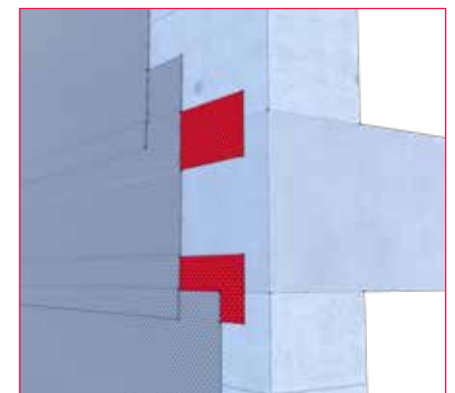


Fig.5 Wraptite Tape used to make floor junctions airtight