



Chroma-Q™
BRILLIANT SOLUTIONS

Specification Sheet - Version: 1.1
Chroma-Q™ Studio Force D Compact™
Daylight White LED Fixture
Part No: CHSFCD

DESCRIPTION

The fixture shall provide 6,100K CCT daylight white light output.
The fixture shall feature a compact design.
The fixture shall provide a very powerful 2,800 hot lumens output for washing large areas.
The fixture shall be IP65 rated.
The fixture shall be suitable for a wide range of entertainment lighting disciplines, including uplighting, pipe-end, shin busting, backlighting, truss toner and other wash applications.
The fixture shall be suitable for floor, wall or truss mounting.
The fixture shall provide a smooth, linear dimming curve.
The fixture shall feature an external power supply - Force Compact PSU15.
The fixture shall allow daisy-chaining of up to five units on a single PSU15 output.
The fixture shall be compatible with selected City Theatrical accessories.
The fixture shall provide a CRI of 70.
The fixture shall feature a built-in stand-alone mode with real-time triggering.
The fixture shall be manufactured from extruded material.

FEATURES

- 6,100K CCT daylight white
- Compact yet powerful – 2,800 lumens from a very small footprint
- IP65 rated*
- Multi-purpose workhorse fixture - suitable for a wide range of applications
- Extremely smooth, uniform wash
- Theatrical grade dimming
- Ideal for TV, film, touring, exhibitions, corporate events and theatre
- Camera-friendly
- Custom optics - ensure a smooth even beam
- Accepts City Theatrical accessories - use with your existing accessories inventory

ORDERING INFORMATION

CHSFCD: Chroma-Q Studio Force D Compact LED Fixture
CHCFPSU15: Chroma-Q Force Compact 15-Way Power Supply
(to suit up to 15 fixtures).

ACCESSORIES

CHCFCTH: ***Top Hat For Compact - Black
CHCFCHTH: ***Half Top Hat For Compact - Black
CHCFCECL: ***Egg Crate Louver For Compact - Black
CHCFCBD: ***Barn Door For Compact - Black
CHCFCCCL: Clear Glass For Compact (Comes with fixture)
CHCF CFL: Frosted Glass For Compact (Comes with fixture)
CHCFCAH: Color Force Accessory Holder (Comes with fixture)
CHCFCDMXOP: W-DMX Wireless Option For PSU-15

***City Theatrical accessories.

OVERALL SPECIFICATIONS

Net dimensions (without fixings): Width: 212mm / 8.4"
Height: 196mm / 7.7"
Depth: 152mm / 6"

Net weight: 4 kgs / 8.5 lbs

Shipping dimensions: Width: 267mm / 10.5"
Height: 254mm / 10"
Depth: 241mm / 9.5"

Shipping Weight: 5.4kgs / 12 lbs

Power & Connections: Daisy-chained power & data connections

Power Supply: External - PSU15

Power Input Rating: 48V DC

Power Consumption: 60W

Typical Power & Current: Measurements done with all LEDs at max. intensity. Measurements made at nominal voltage. Allow for deviation of +/- 10%

Power Connector In/Out: XLR 4-pin

Data Connectors In/Out: XLR 4-pin

Max Cable Run: ~60m / 200ft (PSU to last unit)

Control Protocol: ANSI E1.11 USITT DMX 512-A

Cooling System: Convection

Operating Temperature: 0°C to 40°C

Construction: Cast machined aluminium

Colour: Black

Built-In Hardware: Yoke assembly

IP Rating: *IP65

Approvals: CISPR 22:2006/EN55022:2006 & CISPR 24:1997/EN55024:1998, ICES-003:2004, FCC Part 15 Subpart B:2010

LED Engines: 1

LEDs Per Engine: 28 Cold White

Total LEDs: 28

Control Modes (PSU15): 60 channels Dim4x, 15 channels Dim1x, 1 channel Dim1x, 2 channels FxDim, 1 channel Look Select, Master Standalone, Slave Standalone

Dimming Curve: Theatrical

Variable Effects Engine: Yes

Effects Parameters: Intensity effects

Hot Lumen Output (Combined): 2,800 hot lumens @ 6,200K

Optics: Specialised close focus lens

Beam Angle: 14° (approx.)

Beam Angle With (Optional Frosted Optic): 21° (approx.)

Beam Distribution: Asymmetrical direct illumination

CCT: 6,200K (+/- 200K)

Colour Gamut: Performance enhanced

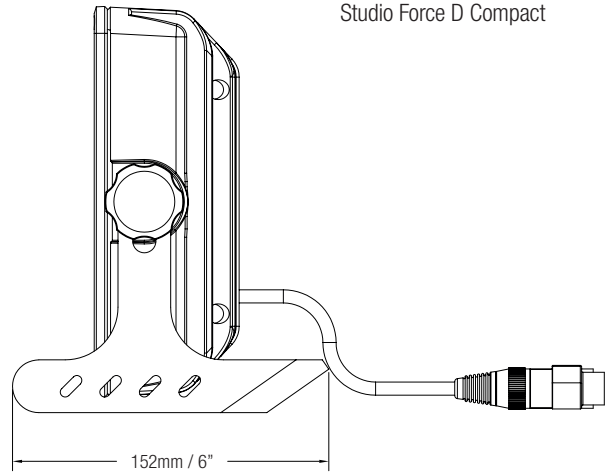
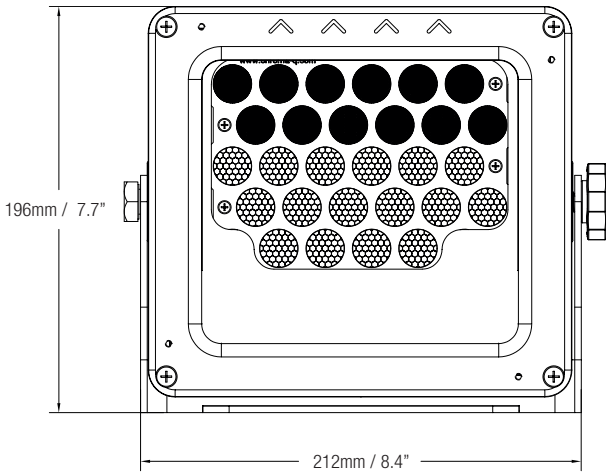
CRI: ~75 @ 6,200K

Lamp Life: L70 at 50,000 hours

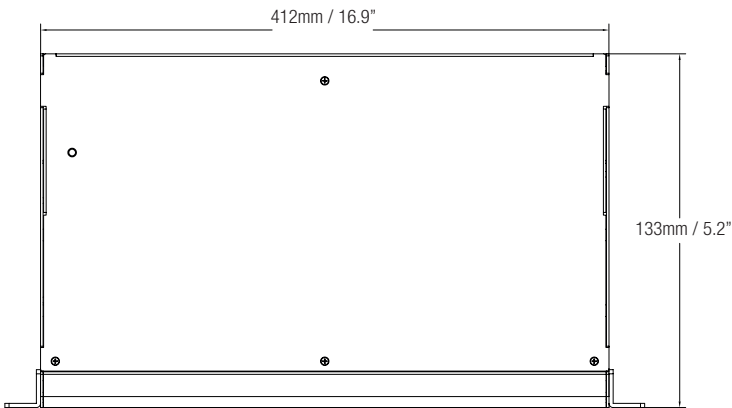


Chroma-Q™
BRILLIANT SOLUTIONS

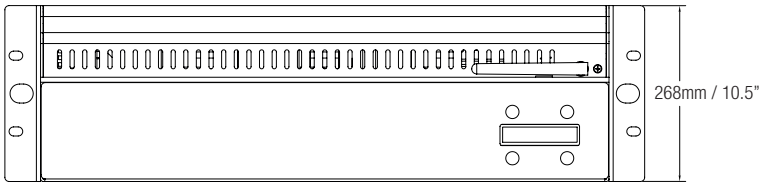
Specification Sheet - Version: 1.1
Chroma-Q™ Studio Force D Compact™
Daylight White LED Fixture
Part No: CHSFCD



Studio Force D Compact



Force Compact 15-Way Power Supply



HQ, UK & International Sales
A.C. Entertainment Technologies Ltd.
Tel: +44 (0)1494 446000
Fax: +44 (0)1494 461024
sales@ac-et.com
www.ac-et.com

Northern UK Sales
A.C. Entertainment Technologies Ltd.
Tel: 0113 255 7666
Fax: 0113 255 7676
acnorth@ac-et.com
www.ac-et.com

North American Sales
A.C. Lighting Inc.
Tel: 416-255-9494
Fax: 416-255-3514
northamerica@aclighting.com
www.aclighting.com/northamerica

Asian Sales
A.C. Lighting Asia KK
Tel: +81 (0)48-475-9377
Fax: +81 (0)48-475-9355
asia@aclighting.com
www.aclighting.com/asia

Chroma-Q and all associated product names are recognised trademarks, for more information visit www.chroma-q.com/trademarks. The rights and ownership of all trademarks are recognised. The information contained herein is correct at the time of printing, however as we are constantly refining our product range we reserve the right to change the specification without notice. E&OE.