

---

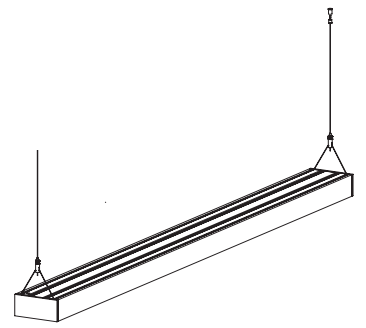
**INSTALLATION INSTRUCTIONS**  
Suspended Lighting \_ 299 Lighting

**OKA**  
**SUSPENDED**

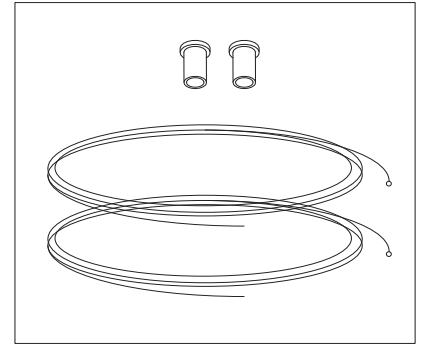
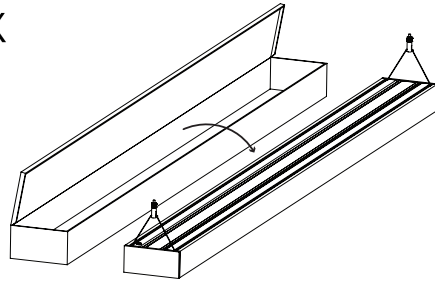
# OKA SUSPENDED

## INSTALLATION INSTRUCTIONS

Direct/Direct-Indirect\_299Lighting

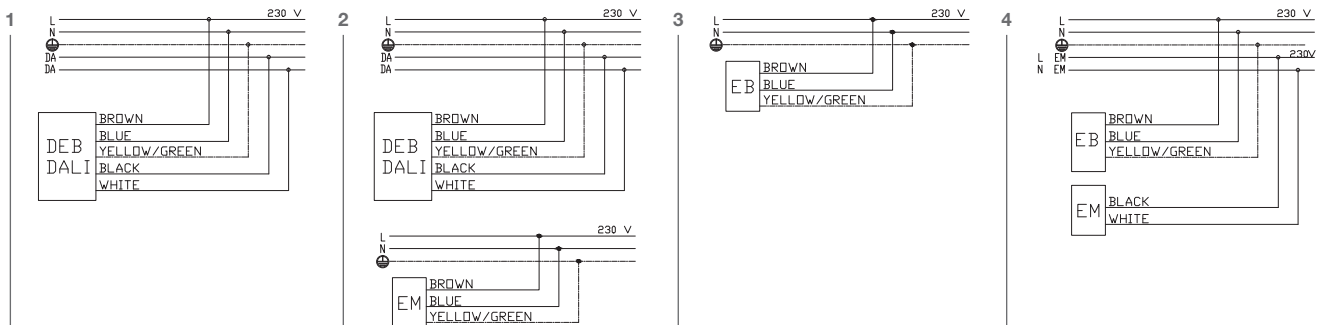


### Inside the box



Suspension kit box

### Electrical Connection



#### Safety Message

- Only competent persons are allowed to perform mounting and maintenance.
- Before installation make sure that there is no voltage in the network.
- Use only original parts for repairs or maintenance.
- Use only fixtures with proper IP protection in wet rooms.
- Before servicing, it is obligatory to disconnect the fixture from the network voltage.
- Manufacturer does not guarantee for damage caused by incorrect installation and/or use.
- Any operation performed on the fixture that is not in accordance with instructions will void manufacturer's warranty.

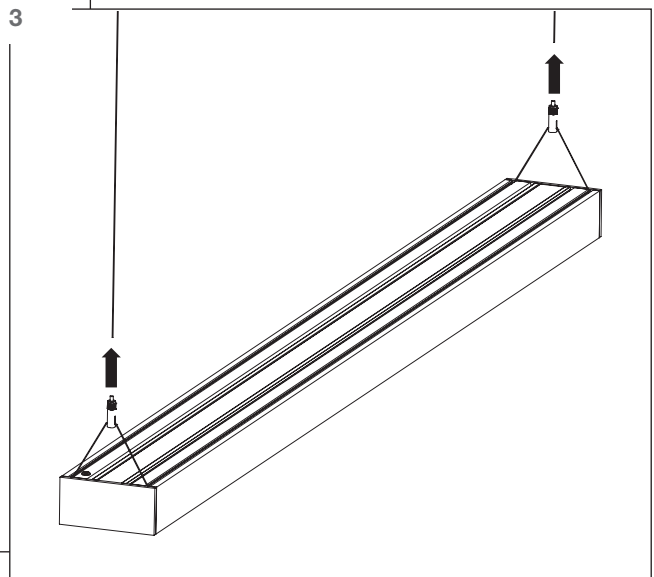
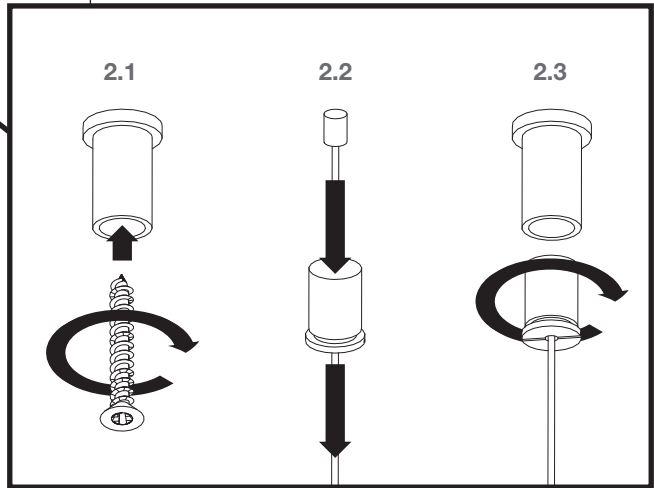
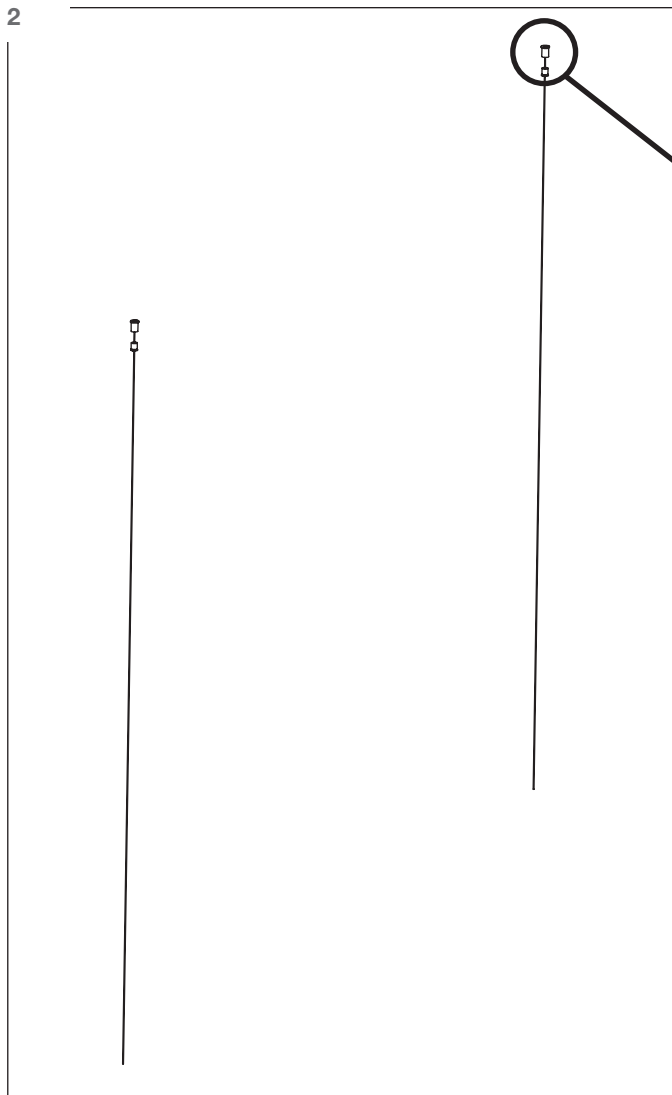
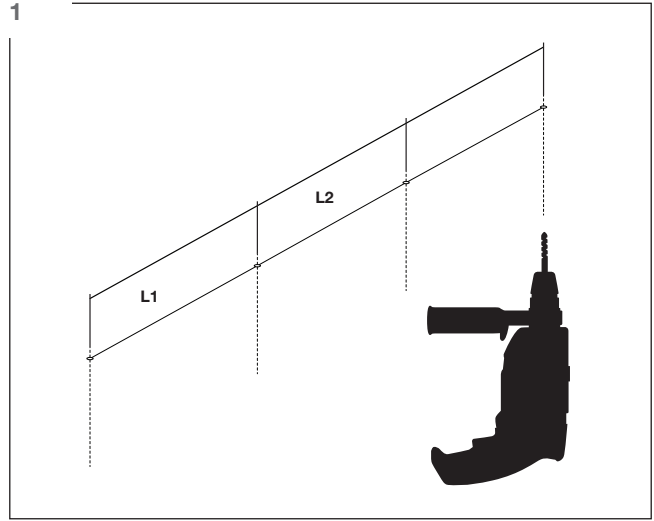
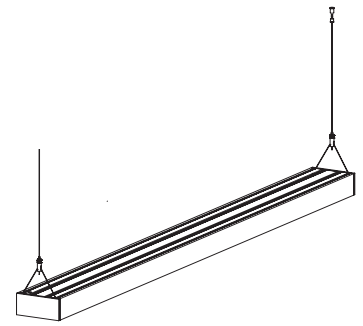


# OKA SUSPENDED

## INSTALLATION INSTRUCTIONS

Direct/Direct-Indirect\_299Lighting

# Mounting

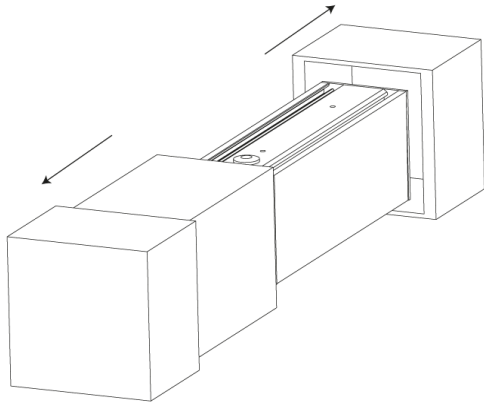


# OKA SUSPENDED

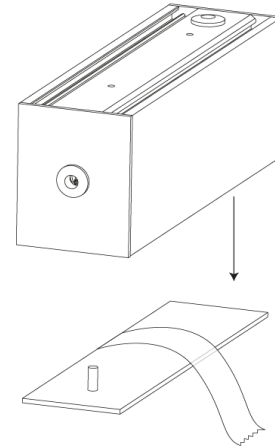
## INSTALLATION INSTRUCTIONS

Direct/Direct-Indirect\_299Lighting

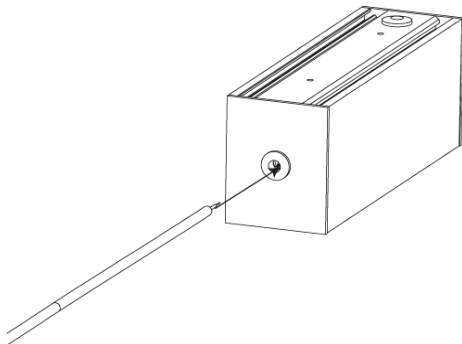
1.



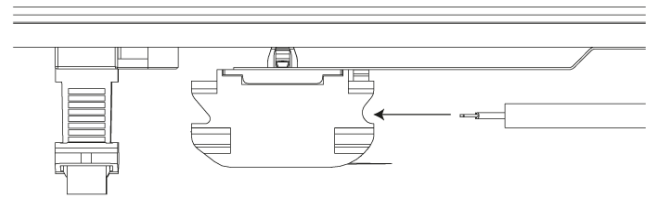
2.



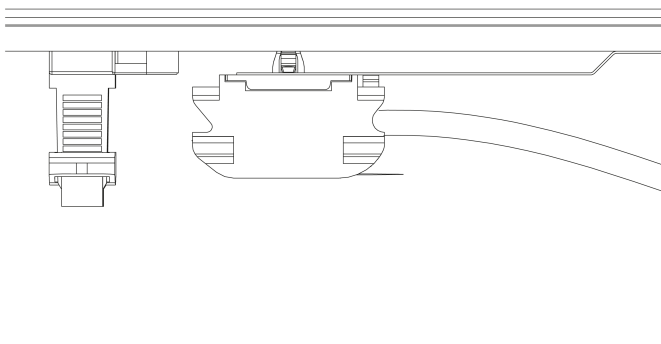
3.



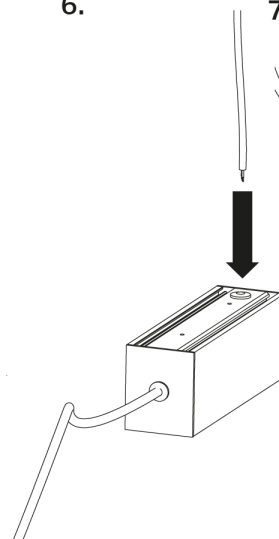
4.



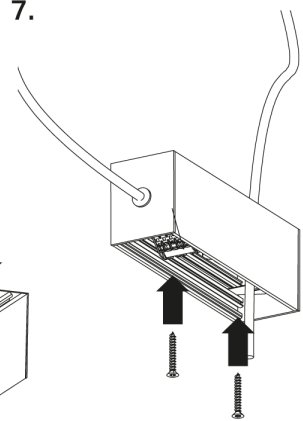
5.

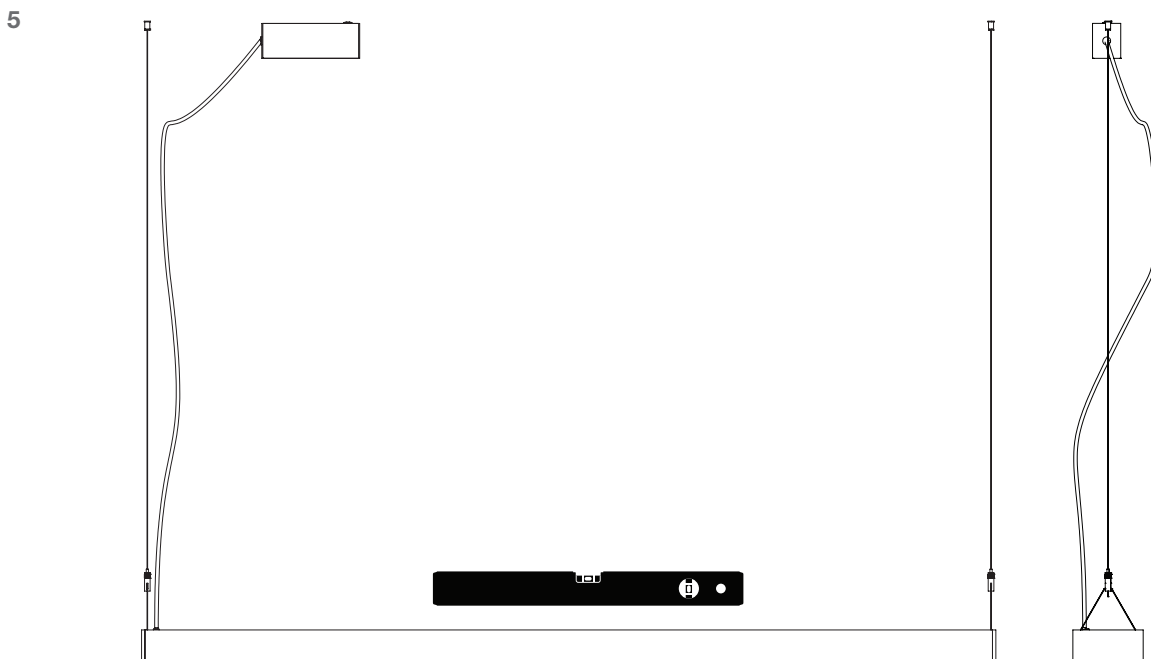
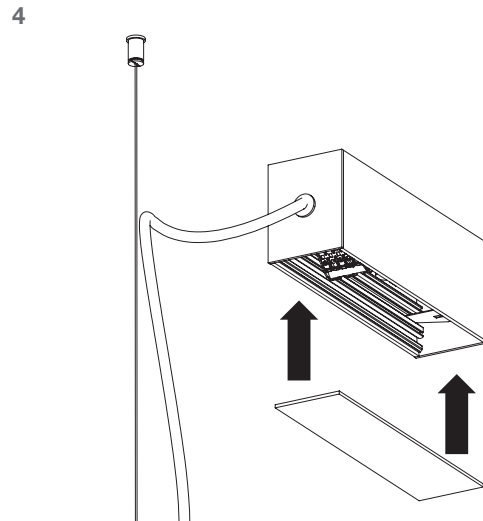
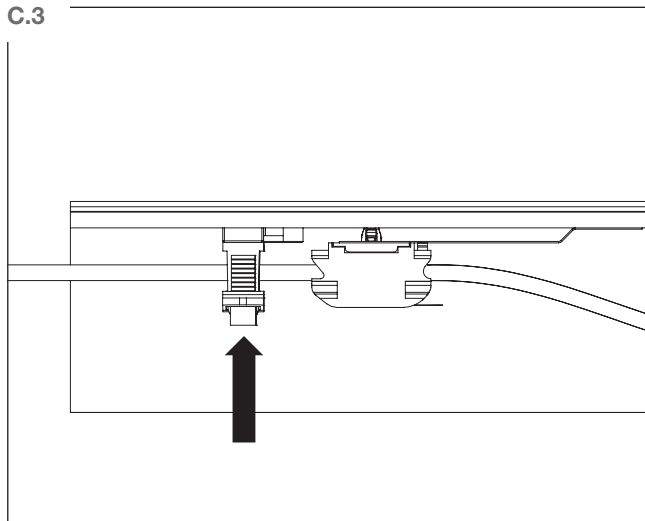
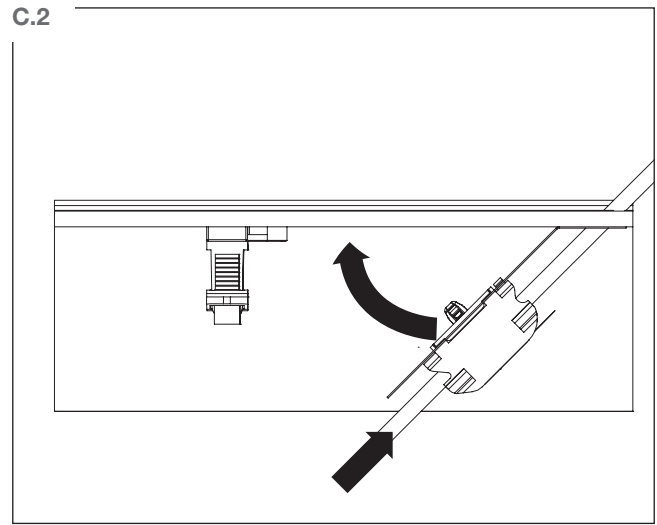
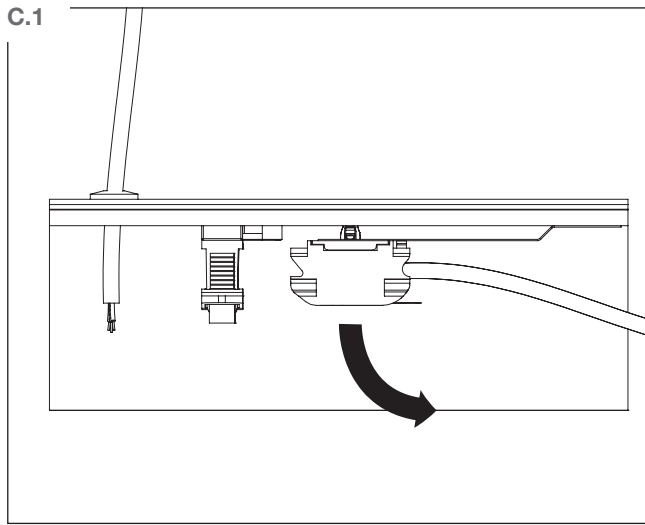


6.



7.





**299**  
LIGHTING

# OKA SUSPENDED

## INSTALLATION INSTRUCTIONS

Direct/Direct-Indirect\_299Lighting

