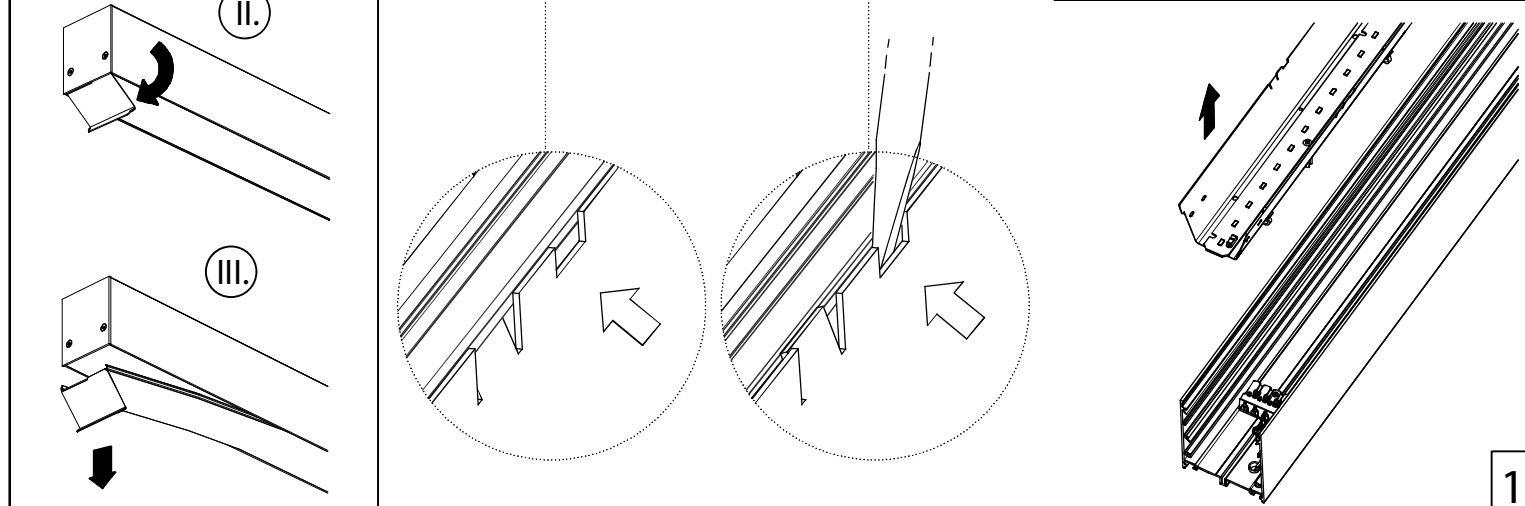
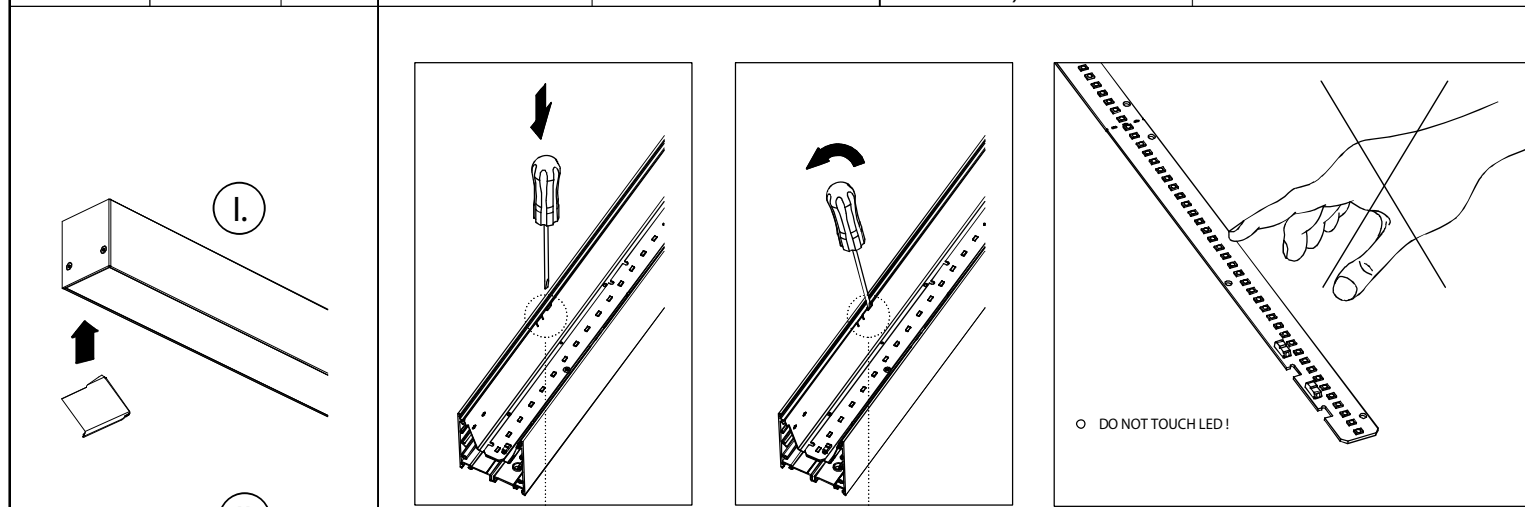
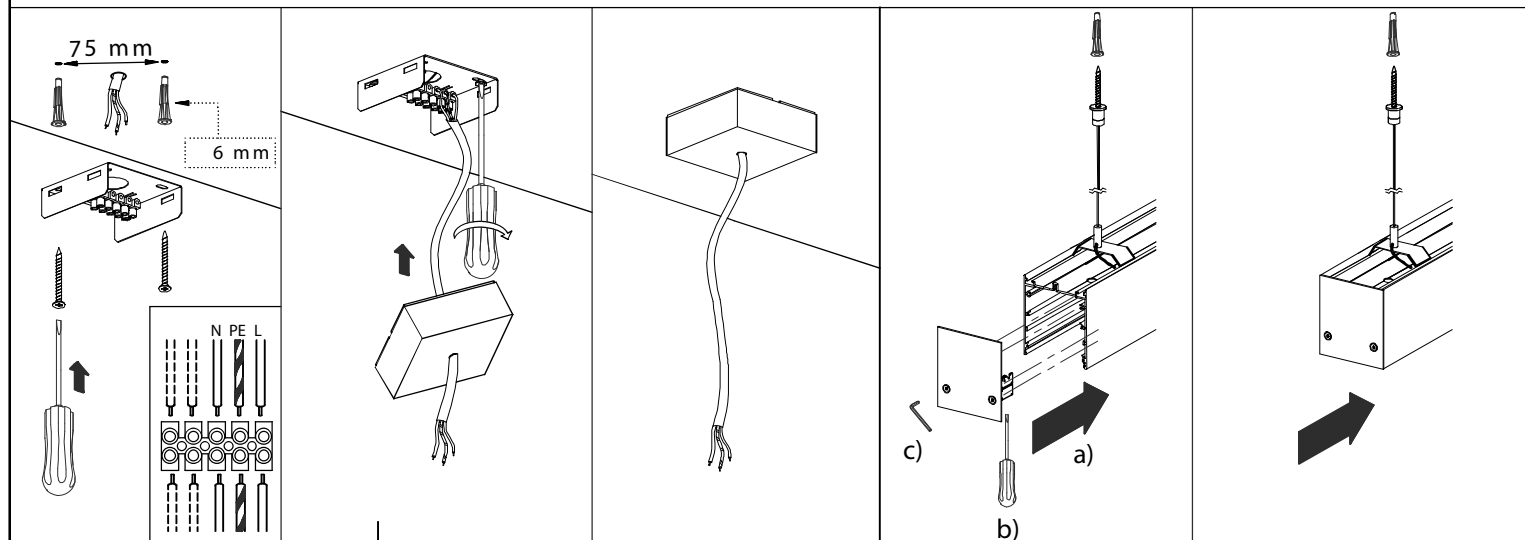
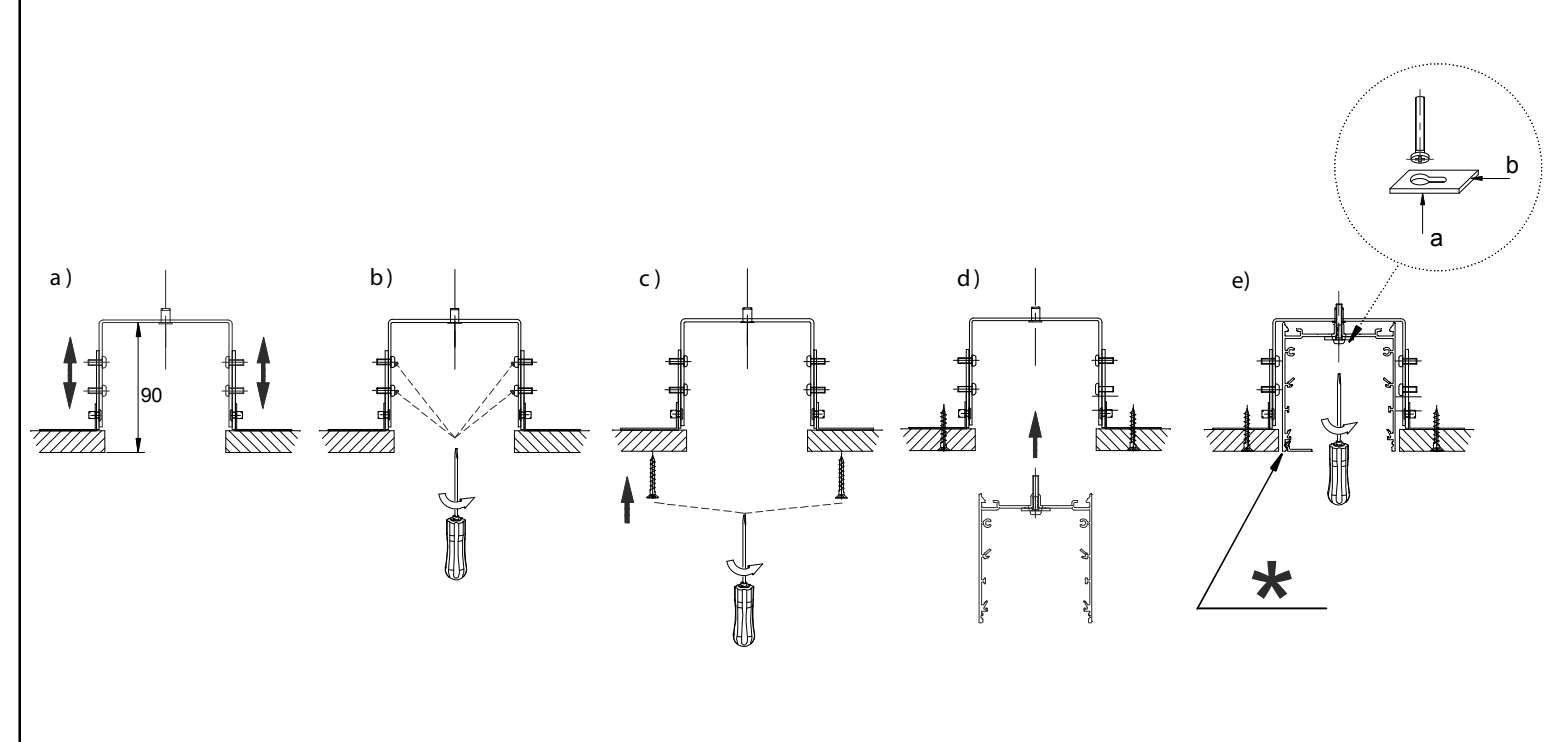
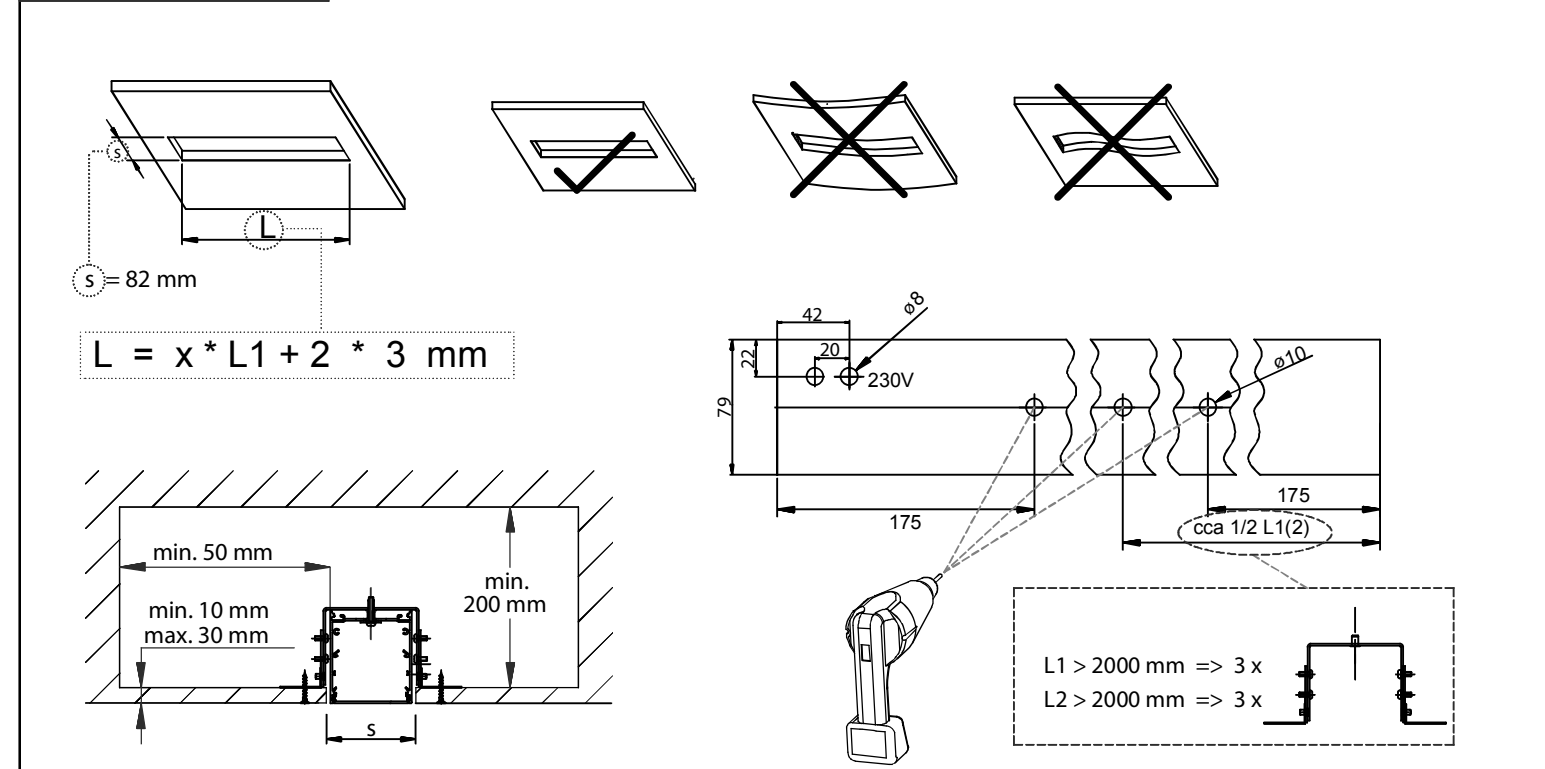
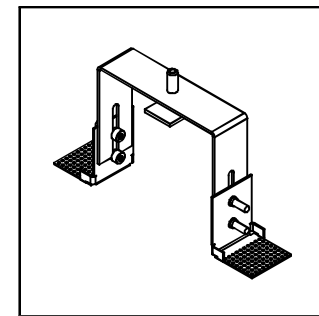
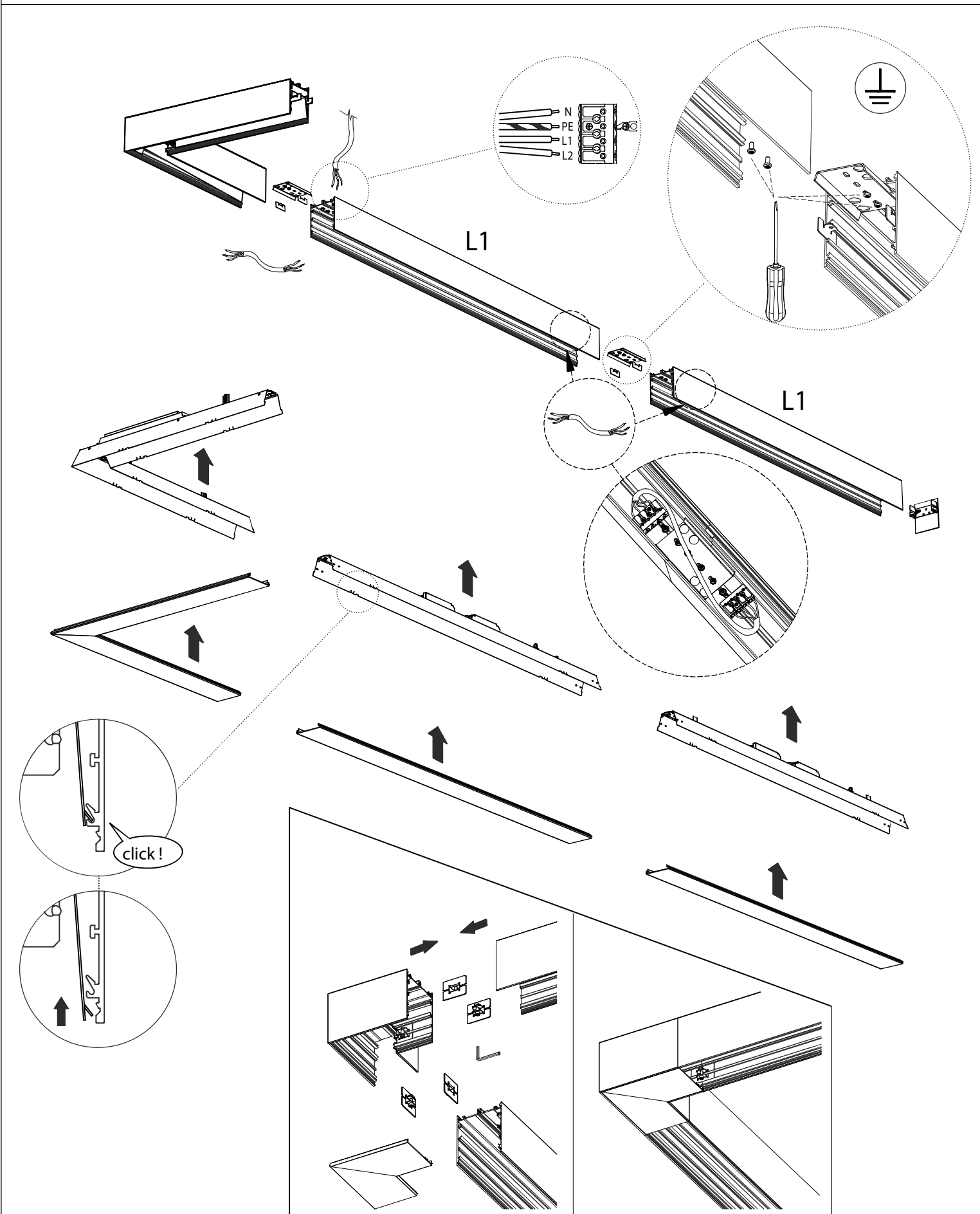
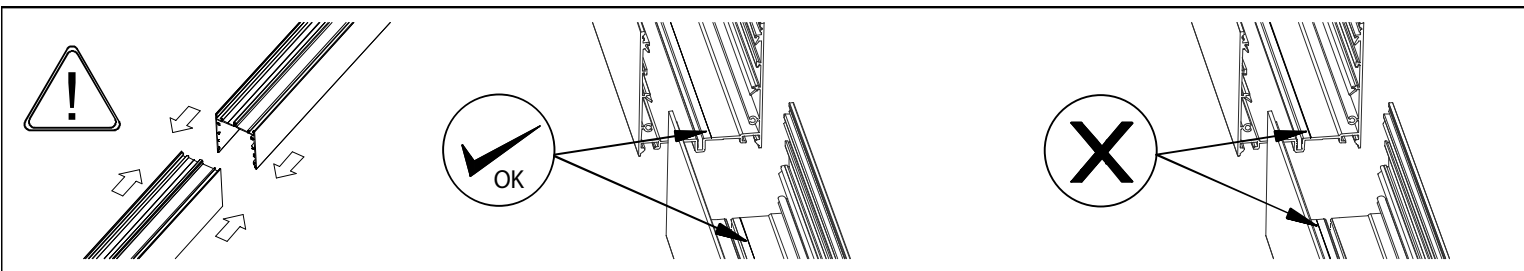


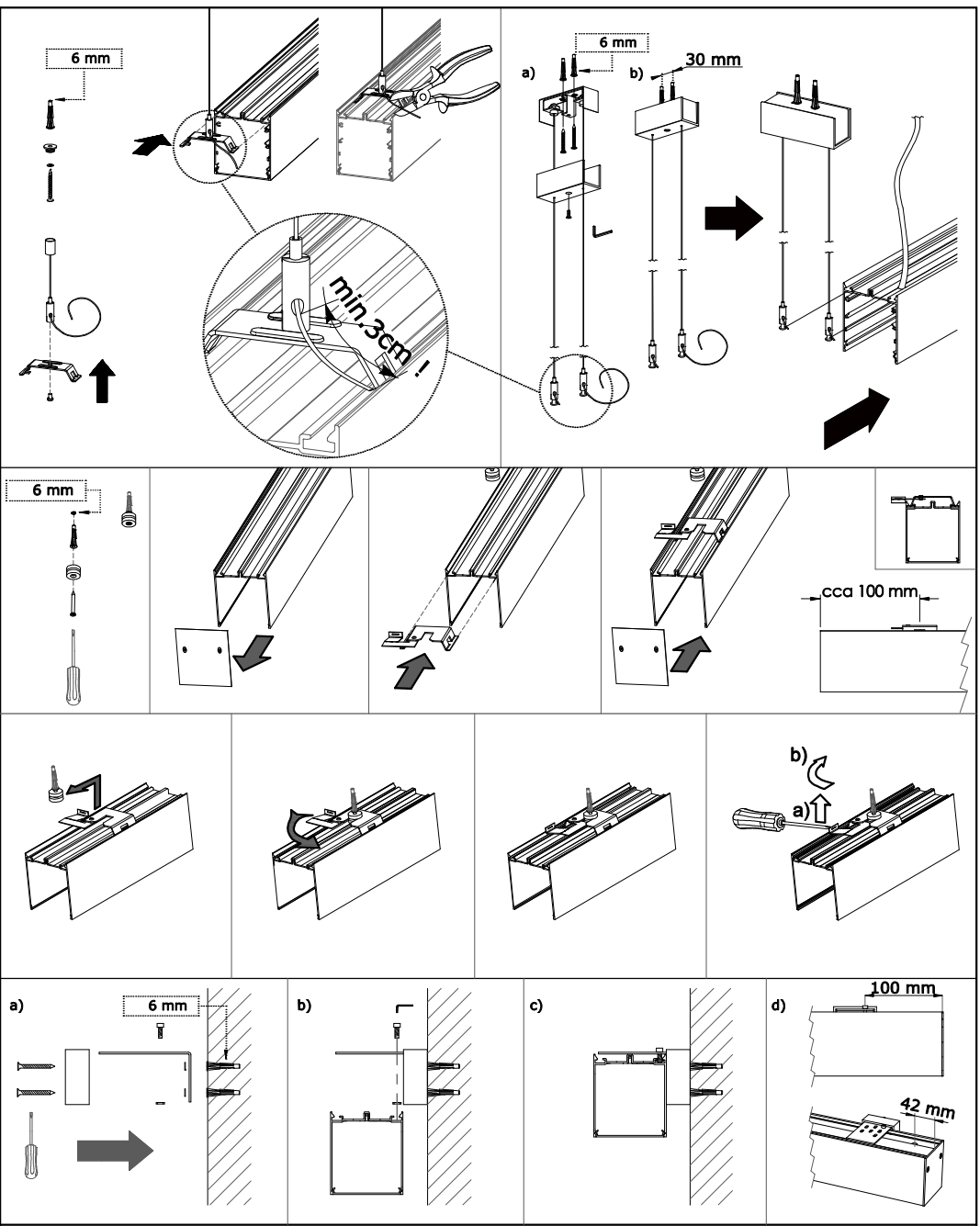
Unit 38, Dixon Business Centre, Bristol, BS4 5QW +44 (0) 1179 422512 info@299lighting.co.uk • www.299lighting.co.uk 86 - 90 Paul Street, London, EC2A 4NE +44 (0) 203 7737530

	11-FH1-F13-***_**_**	L1 = 562 mm
	11-FH1-F18-***_**_**	L1 = 842 mm
	11-FH1-F22-***_**_**	L1 = 1122 mm
	11-FH1-F27-***_**_**	L1 = 1402 mm
	11-FH1-F31-***_**_**	L1 = 1682 mm
	11-FH1-F38-***_**_**	L1 = 1962 mm
	11-FH1-F90-***_**_**	L1 = 2242 mm





\* Cementing perform with embedded diffuser.  
We recommend acrylic sealant.



Unit 38, Dixon Business Centre, Bristol, BS4 5QW +44 (0) 1179 422512  
 info@299lighting.co.uk www.299lighting.co.uk  
 86 - 90 Paul Street, London, EC2A 4NE +44 (0) 203 7737530

**299**  
LIGHTING

# LOPEN

SURFACE, SUSPENDED & WALL

**T5**

CE 21 F ta 25° IP 20

Unit 38, Dixon Business Centre, Bristol, BS4 5QW +44 (0) 1179 422512

info@299lighting.co.uk www.299lighting.co.uk

86 - 90 Paul Street, London, EC2A 4NE +44 (0) 203 7737530

	L1	L2	L3	L4
<p>14/24 W 21/39 W 28/54 W 35/49/80 W 21/39 W 28/54 W 35/49/80 W</p>	<p>578 mm 878 mm 1178 mm 1478 mm 1656 mm 2256 mm 2856 mm</p>	<p>11-FAH1-A114 11-FAH1-A121 11-FAH1-A128 11-FAH1-A135 11-FAH1-A221 11-FAH1-A228 11-FAH1-A235</p>	<p>478 mm 778 mm 1078 mm 1378 mm 1556 mm 2156 mm 2756 mm</p>	<p>11-FBH1-A114 11-FBH1-A121 11-FBH1-A128 11-FBH1-A135 11-FBH1-A221 11-FBH1-A228 11-FBH1-A235</p>
			<p>500x500 mm 11-FCH1-A214 11-FCH1-A224</p>	
				<p>14 W 24 W 21 W 28 W 35 W 39 W 49 W 54 W 80-W</p>
				<p>11-A114 11-A124 11-A121 11-A128 11-A135 11-A139 11-A149 11-A154 11-A180</p>

$L = 1 * L1 + x * L2 + 2 * 3 \text{ mm}$

