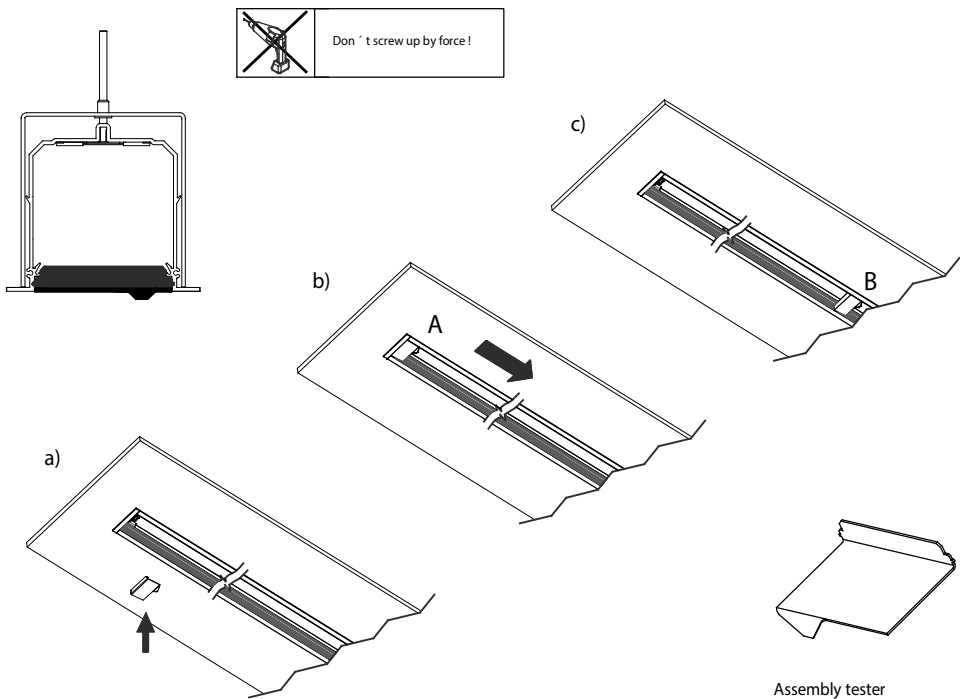
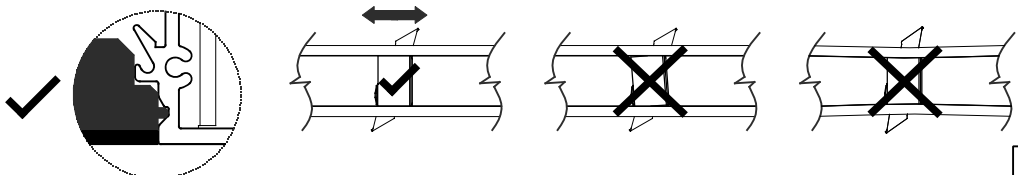


Correct assembly proof by moving the tester from pos. A to pos.B.



After correct assembly is moving the tester clear (without rubbing).

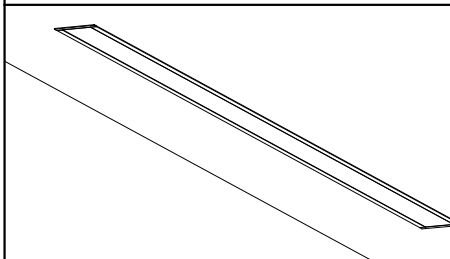


Unit 38, Dixon Business Centre, Bristol, B54 5QW
+44 (0) 1179 422512

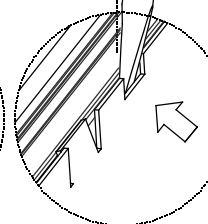
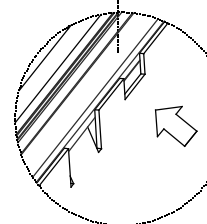
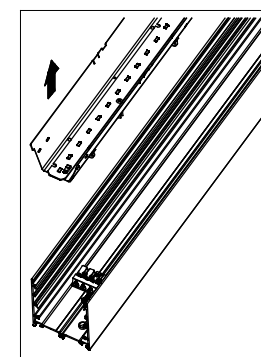
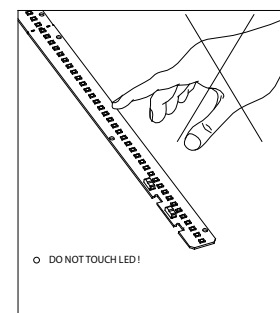
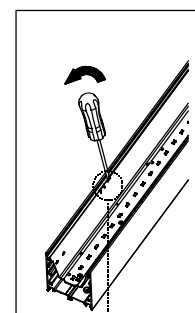
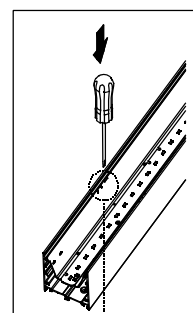
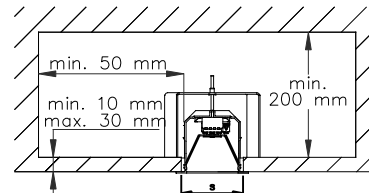
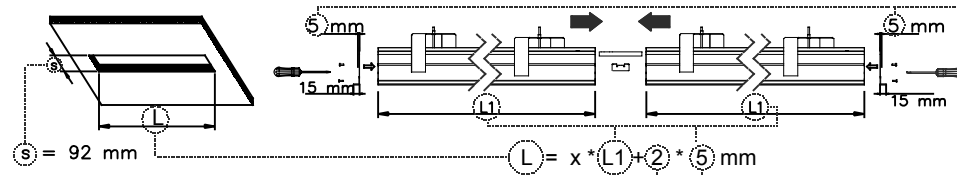
info@299lighting.co.uk

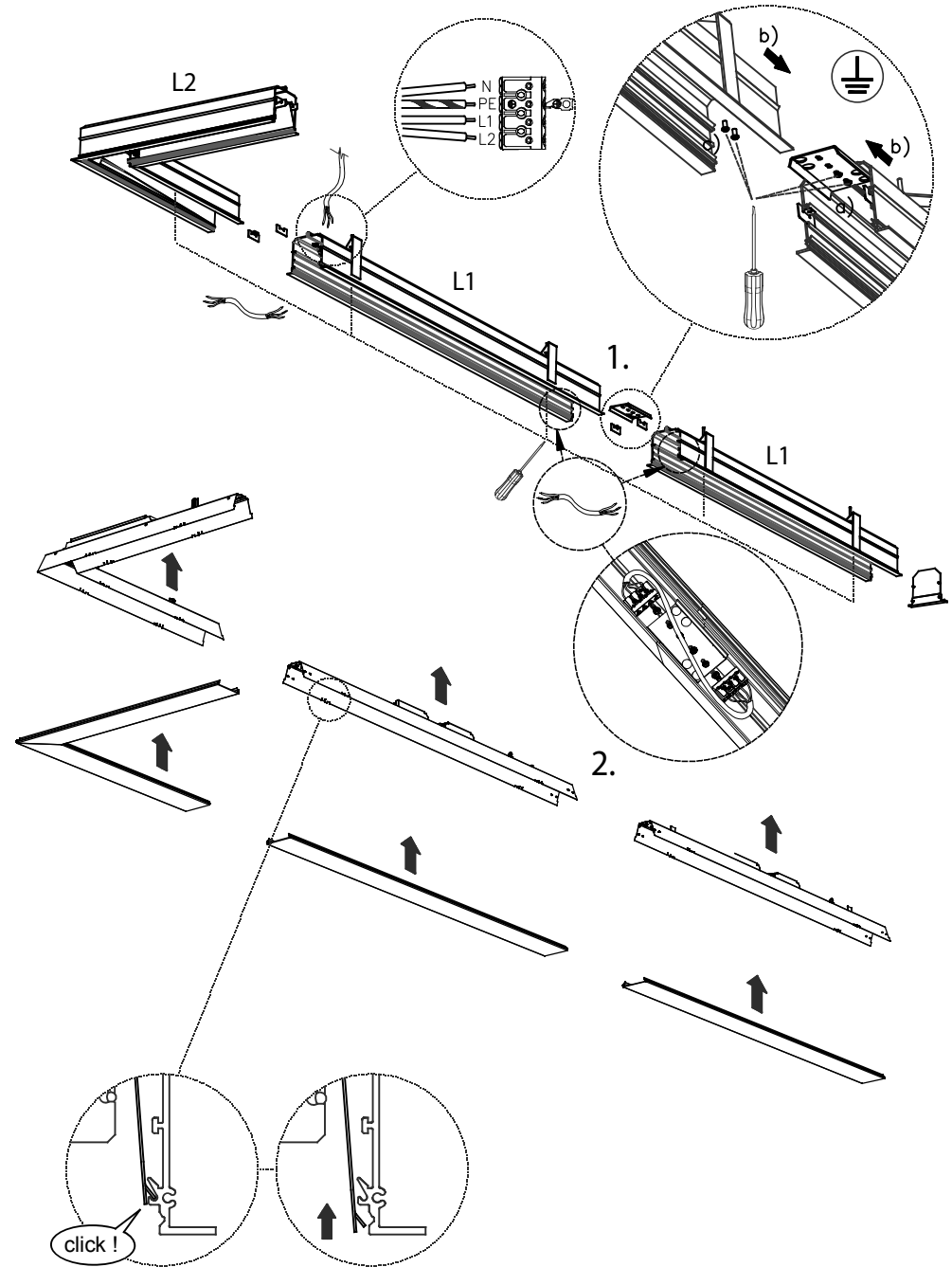
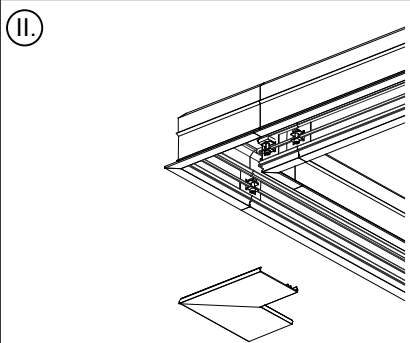
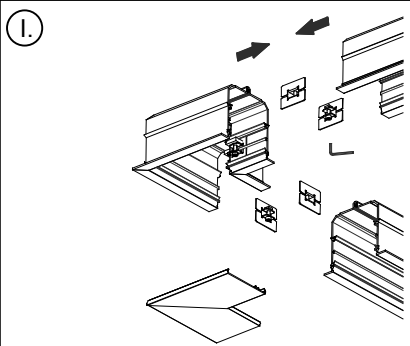
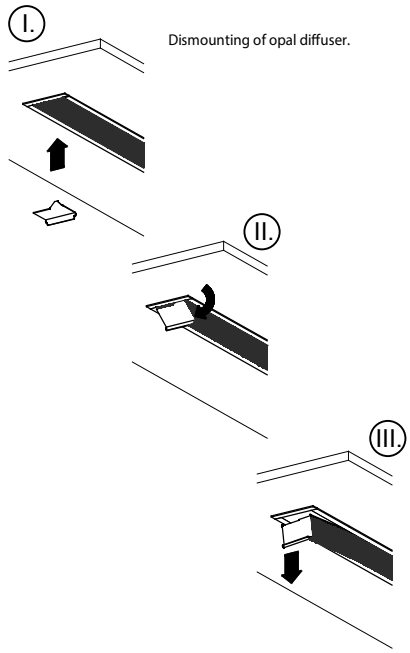
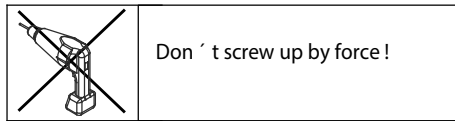
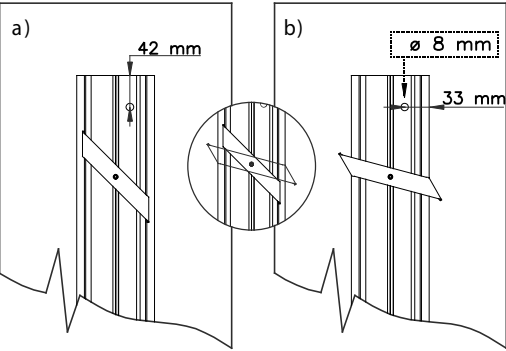
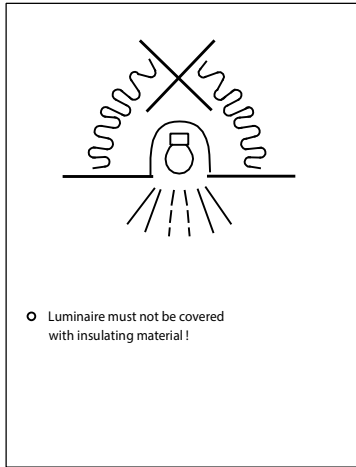
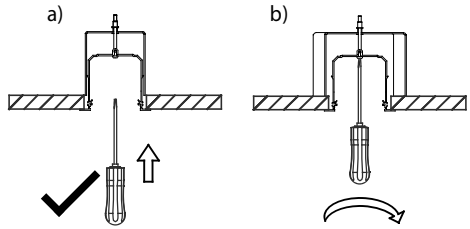
www.299lighting.co.uk

86 - 90 Paul Street, London, EC2A 4NE
+44 (0) 203 7737530

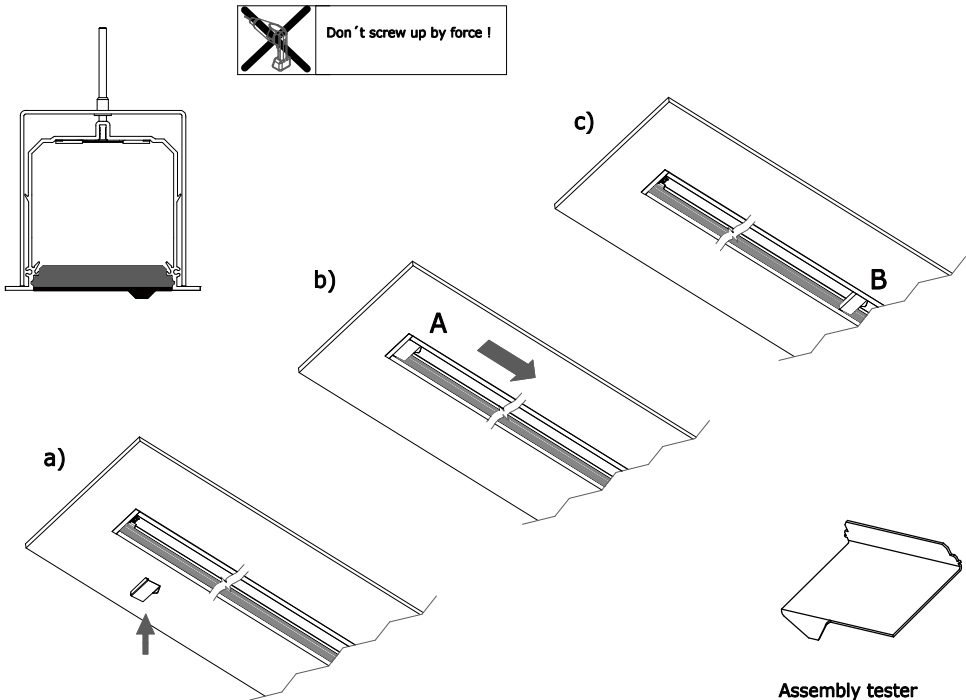


11-AH1-F13-***_**_**	L1 = 562 mm
11-AH1-F18-***_**_**	L1 = 842 mm
11-AH1-F22-***_**_**	L1 = 1122 mm
11-AH1-F27-***_**_**	L1 = 1402 mm
11-AH1-F31-***_**_**	L1 = 1682 mm
11-AH1-F38-***_**_**	L1 = 1962 mm
11-AH1-F90-***_**_**	L1 = 2242 mm

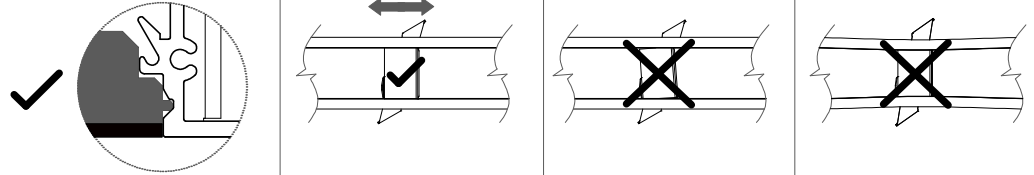




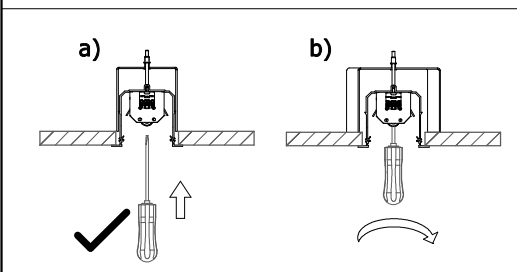
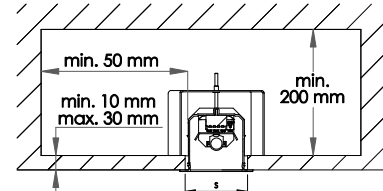
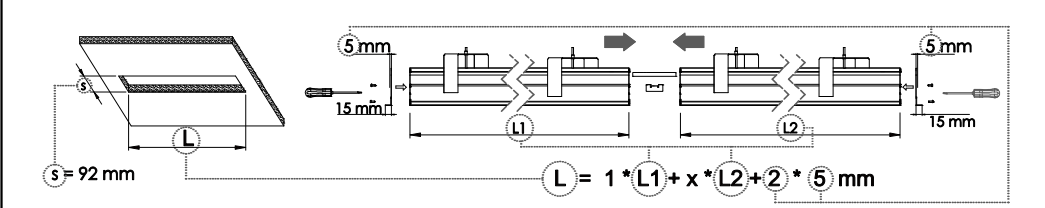
Correct assembly proof by moving the tester from pos. A to pos.B.



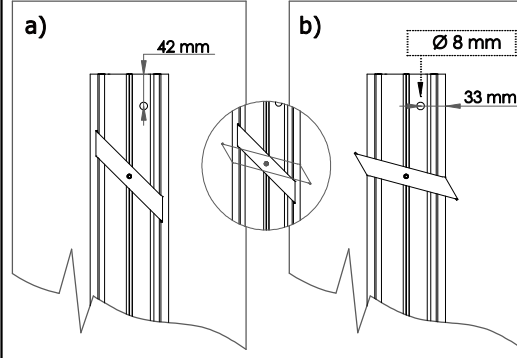
After correct assembly is moving the tester clear (without rubbing).



	L1	L2	L3	L4
14/24 W	578 mm	478 mm		14 W
21/39 W	878 mm	778 mm		24 W
28/54 W	1178 mm	1078 mm		21 W
35/49/80 W	1478 mm	1378 mm	500x500 mm	11-A114
21/39 W	1656 mm	1556 mm		11-A124
28/54 W	2256 mm	2156 mm	11-ACH1-A214	11-A128
35/49/80 W	2856 mm	2756 mm	11-ACH1-A224	11-A135
				11-A139
				49 W
				54 W
				80 W
				11-A149
				11-A154
				11-A180



Luminaire must not be covered with insulating material!



Don't screw up by force!

