



Unit 38, Dixon Business Centre, Bristol, BS4 5QW
+44 (0) 1179 422512

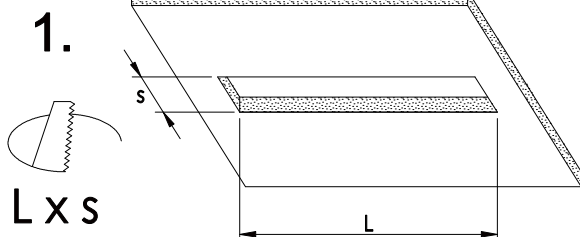
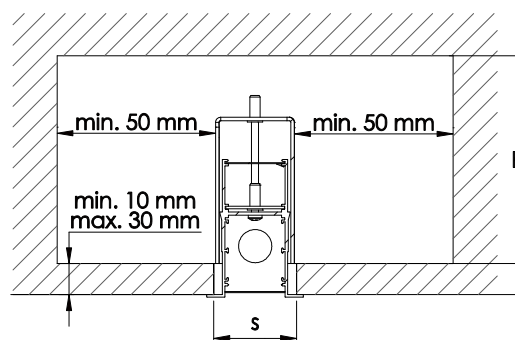
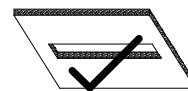
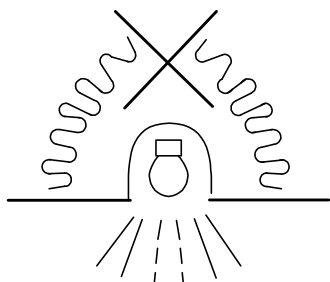
info@299lighting.co.uk · www.299lighting.co.uk

86 - 90 Paul Street, London, EC2A 4NE
+44 (0) 203 7737530

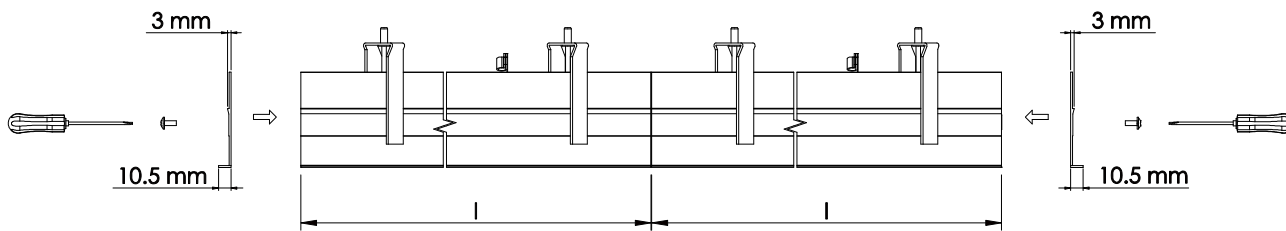


s=48 mm
h=130 mm

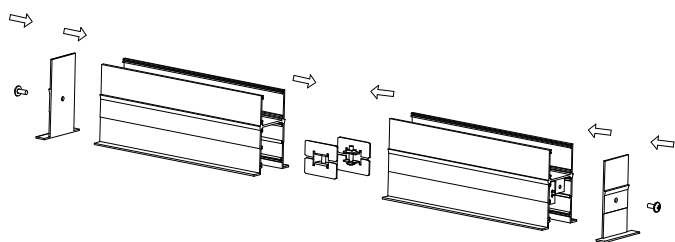
<p>1x T16</p> <p>36-EH1-B114-*0-* 36-EH1-B139-*0-* 36-EH1-B154-*0-* 36-EH1-B180-*0-*</p>	<p>14/24 W 21/39 W 28/54 W 35/49/80 W</p>	<p>l = 595 mm l = 895 mm l = 1195 mm l = 1495 mm</p>
<p>2x T16</p> <p>36-EH1-B239-*0-* 36-EH1-B254-*0-*</p>	<p>21/39 W 28/54 W</p>	<p>l = 1779 mm l = 2379 mm</p>



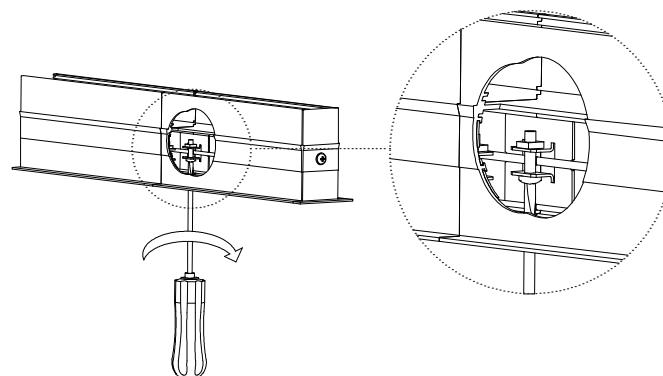
$$L = x * l + 2 * 6 \text{ mm}$$



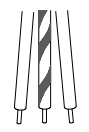
a)



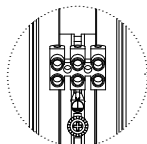
b)



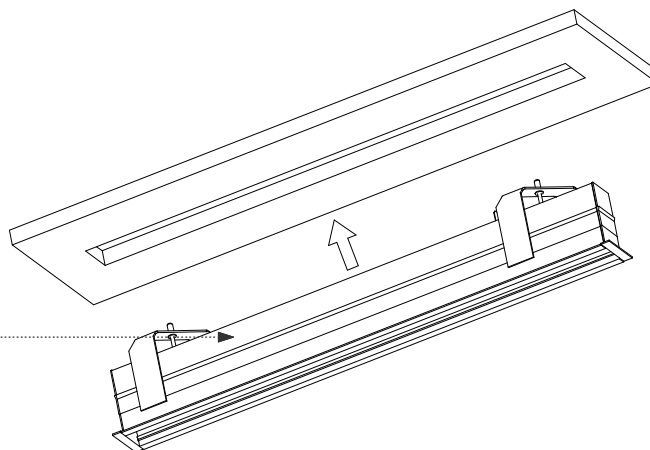
2.



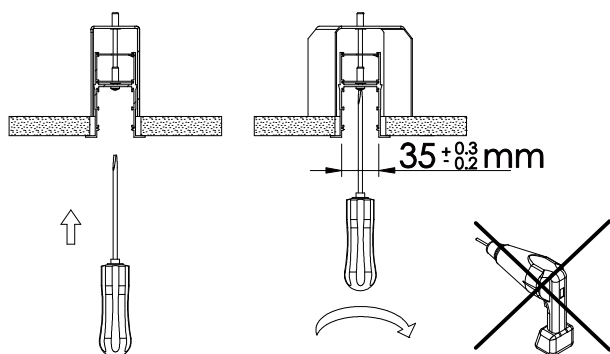
N PE L



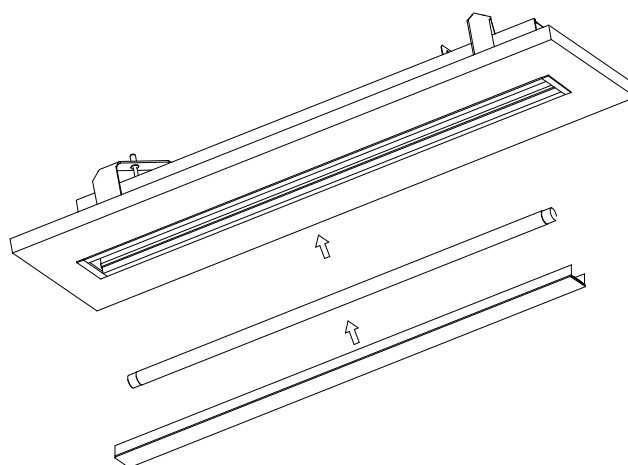
3.



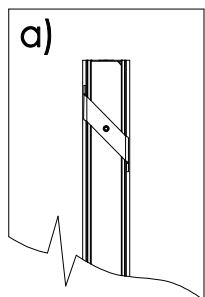
4.



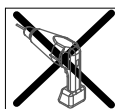
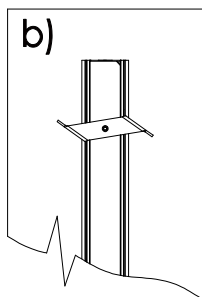
5.



a)



b)



Don't screw up by force !

